

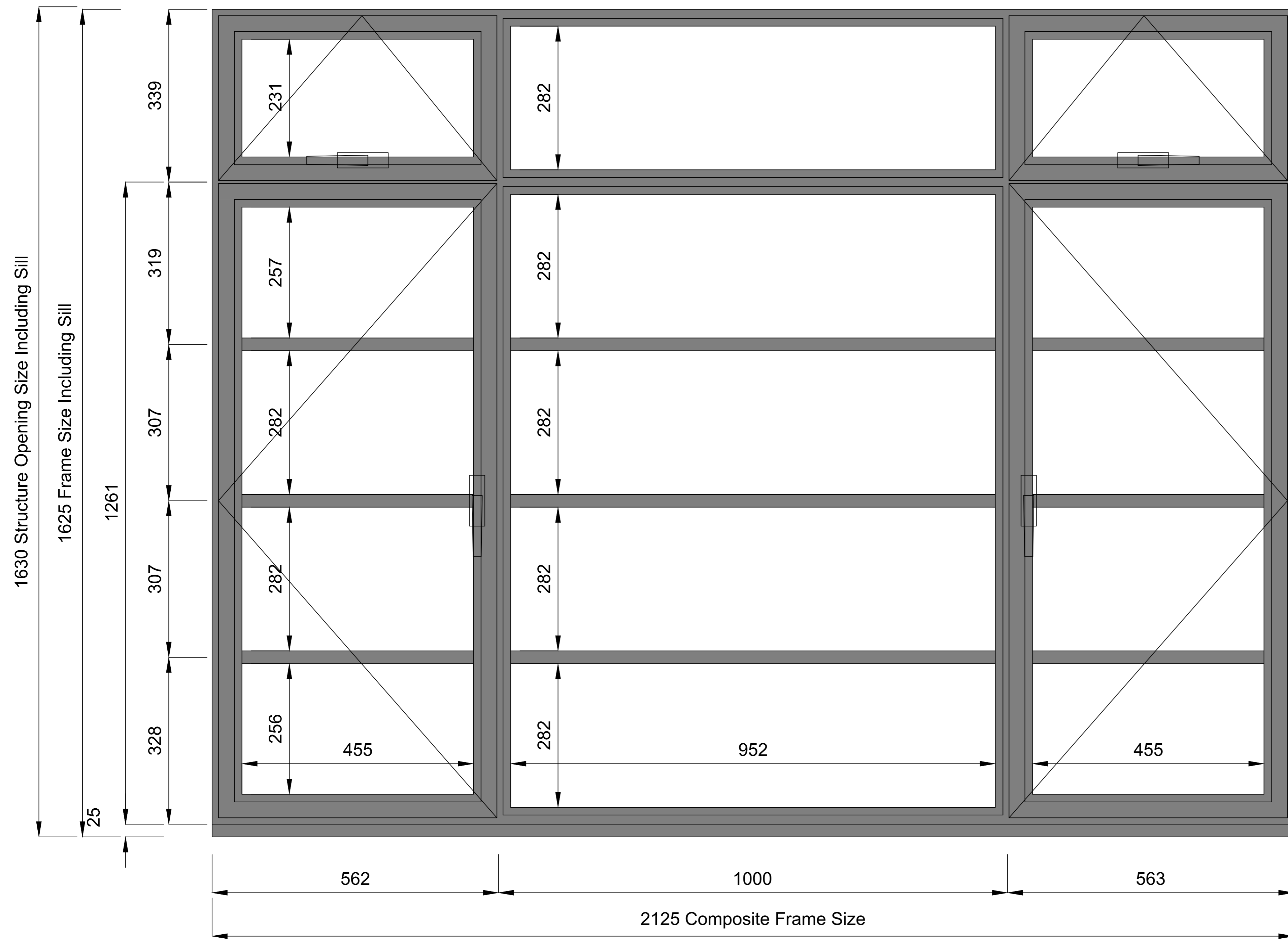
BESPOKE  
GLAZING  
DESIGN

Janet Delves

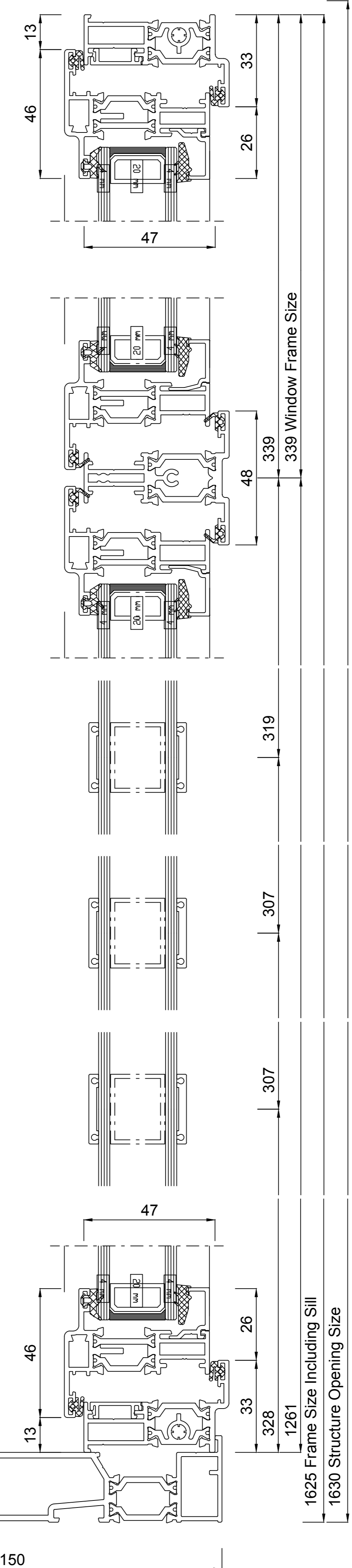
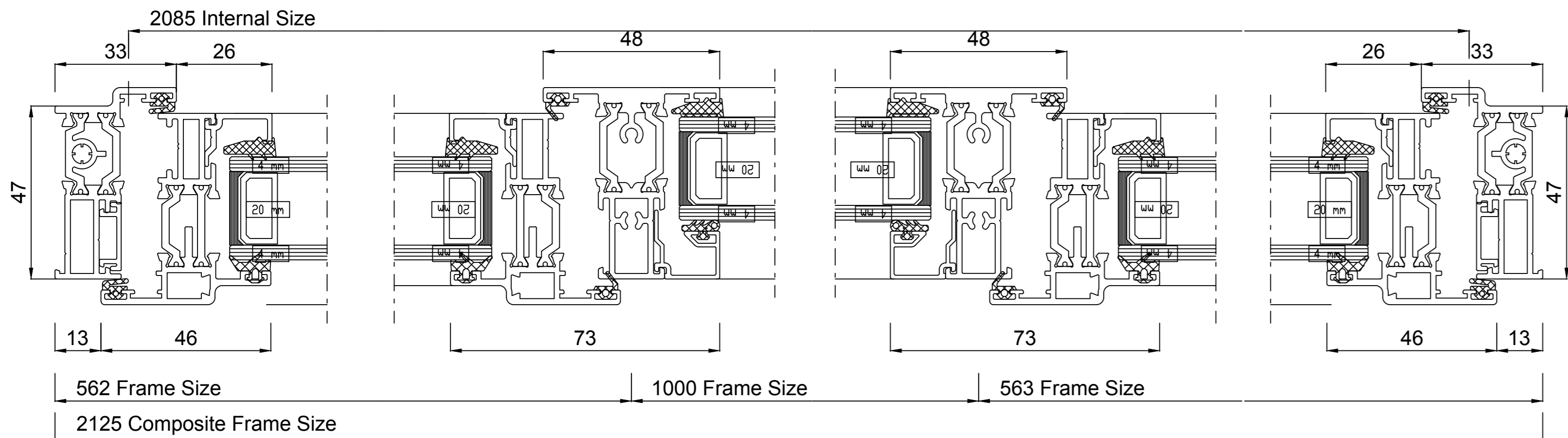
Flat 101 Hillfield  
Court

BGD22177

All Elevations Are Viewed From Outside



ITEM 1  
Bedroom



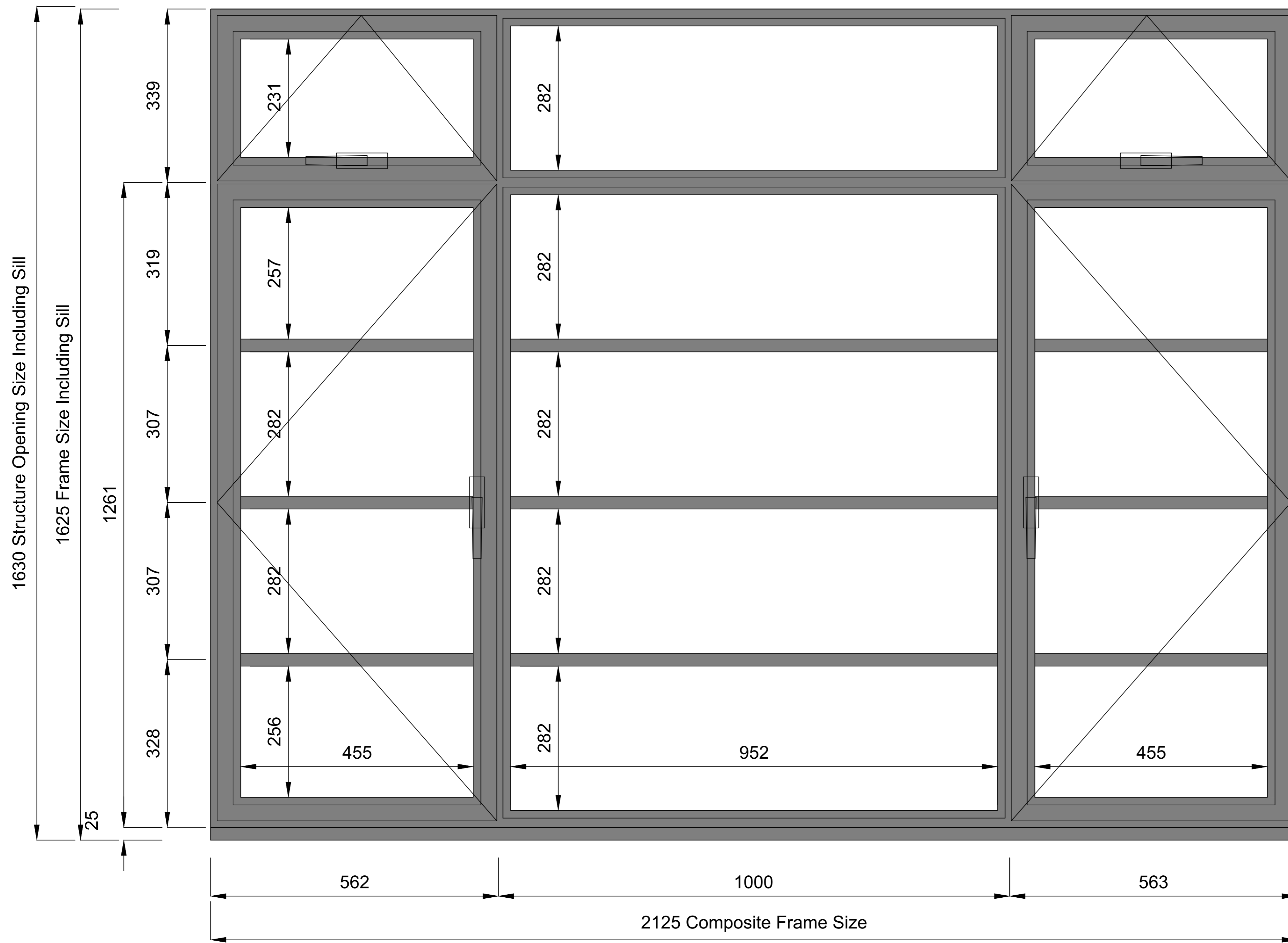
**SPECIFICATION:**  
**ELEVATIONS** - VIEWED FROM OUTSIDE  
**SECTIONS** - HERITAGE 47 - ALUMINIUM  
**FITTINGS** -  
**SIDE HUNG WINDOW**  
 STANDARD HANDLE LOCKING IN WHITE FINISH  
**TOP HUNG WINDOW**  
 STANDARD HANDLE LOCKING IN WHITE FINISH  
**FIXED AND GLAZED BY BESPOKE GLAZING DESIGN.**  
**PAINT FINISH - RAL9016 MATT - TRAFFIC WHITE**  
**SILICON COLOUR WHITE**  
**GLASS SPECIFICATION** -  
 EXTERNAL: 4mm TOUGHENED LOW IRON  
 CAVITY: 20mm ARGON **BLACK SPACER**  
 INTERNAL: 4mm TOUGHENED LOW E  
 WE USE SAFETY GLASS AS STANDARD FOR IMPROVED SECURITY AND SAFETY. THESE WILL BE VISIBLY MARKED IN THE BOTTOM CORNER OF EACH PANE TO COMPLY WITH CURRENT BUILDING REGULATIONS.



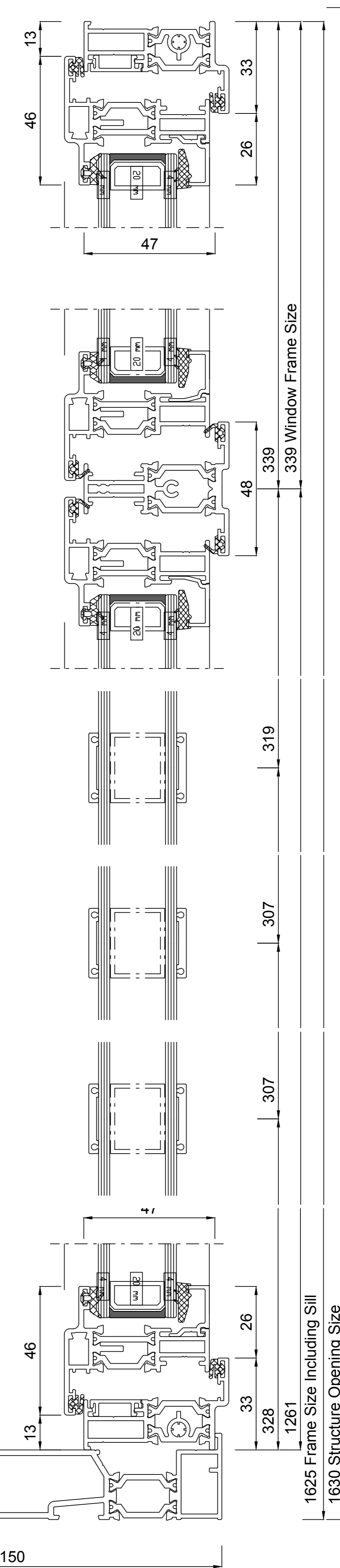
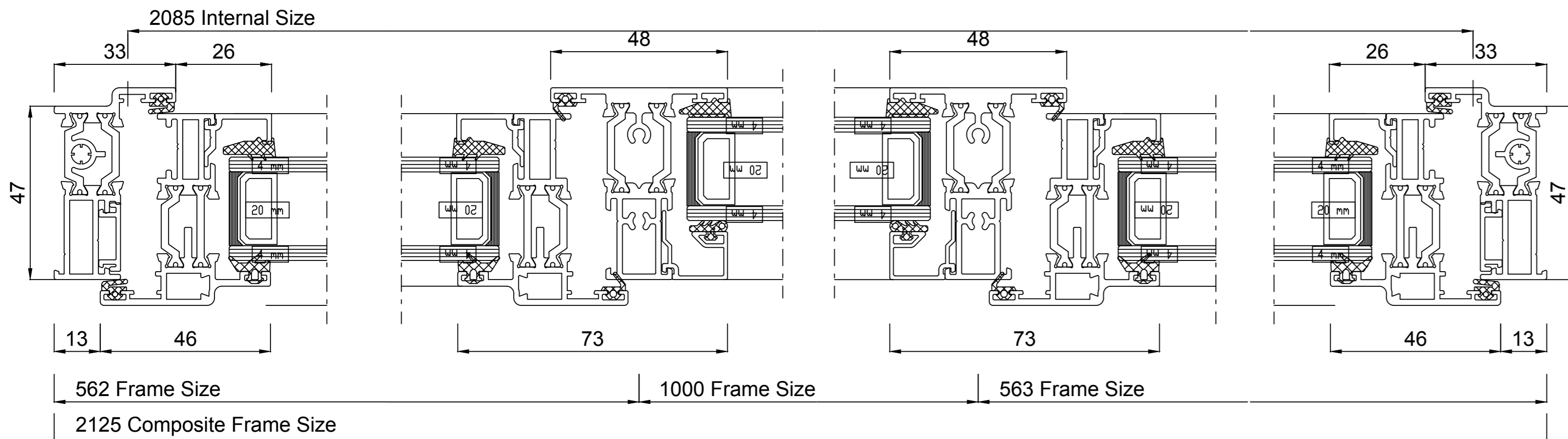
All Dimensions Are In Millimeters  
 All Dimensions To Be Checked On-Site  
 Scale@A1: 1:1 & 1:8 - DO NOT SCALE SIZES OFF DRAWINGS

Client Name	Project No.	
Janet Delves	BGD22177	
Installation Address		
Flat 101 Hillfield Court Belsize Avenue London NW3 4BE		
Designer	Surveyor	
Charlie Stoye	Ben Turner	
Detailer	Date	
Daniel Villaverde	02/02/2023	
Sheet Number	Items	Revision
1	1	R-C
Client Approval Signature		

All Elevations Are Viewed From Outside



ITEM 2  
Dinning Room



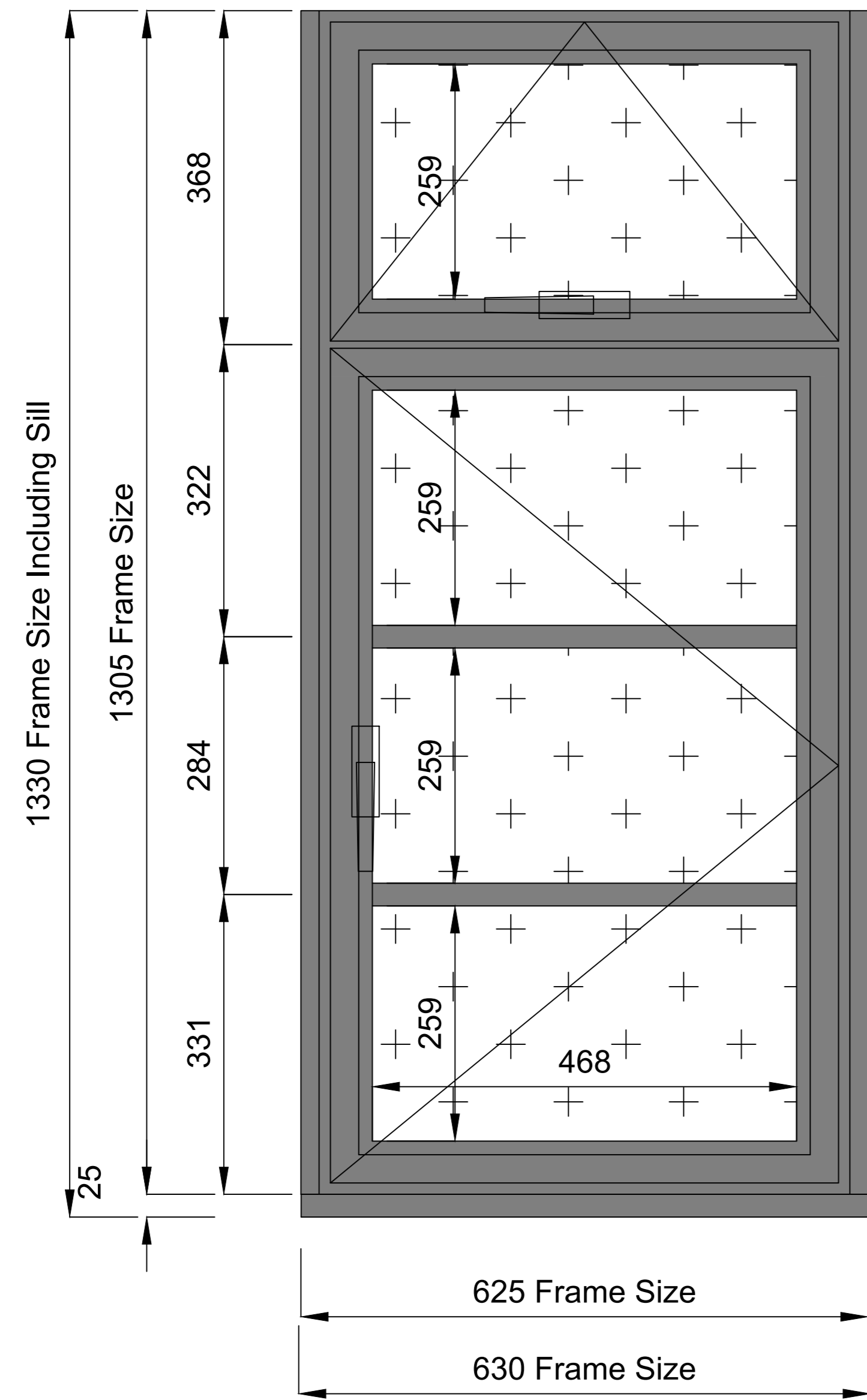
**SPECIFICATION:**  
**ELEVATIONS** - VIEWED FROM OUTSIDE  
**SECTIONS** - HERITAGE 47 - ALUMINIUM  
**FITTINGS** -  
**SIDE HUNG WINDOW**  
 STANDARD HANDLE LOCKING IN WHITE FINISH  
**TOP HUNG WINDOW**  
 STANDARD HANDLE LOCKING IN WHITE FINISH  
**FIXED AND GLAZED BY BESPOKE GLAZING DESIGN.**  
**PAINT FINISH - RAL9016 MATT - TRAFFIC WHITE**  
**SILICON COLOUR WHITE**  
**GLASS SPECIFICATION** -  
 EXTERNAL: 4mm TOUGHENED LOW IRON  
 CAVITY: 20mm ARGON **BLACK SPACER**  
 INTERNAL: 4mm TOUGHENED LOW E  
 WE USE SAFETY GLASS AS STANDARD FOR IMPROVED SECURITY AND SAFETY. THESE WILL BE VISIBLY MARKED IN THE BOTTOM CORNER OF EACH PANE TO COMPLY WITH CURRENT BUILDING REGULATIONS.



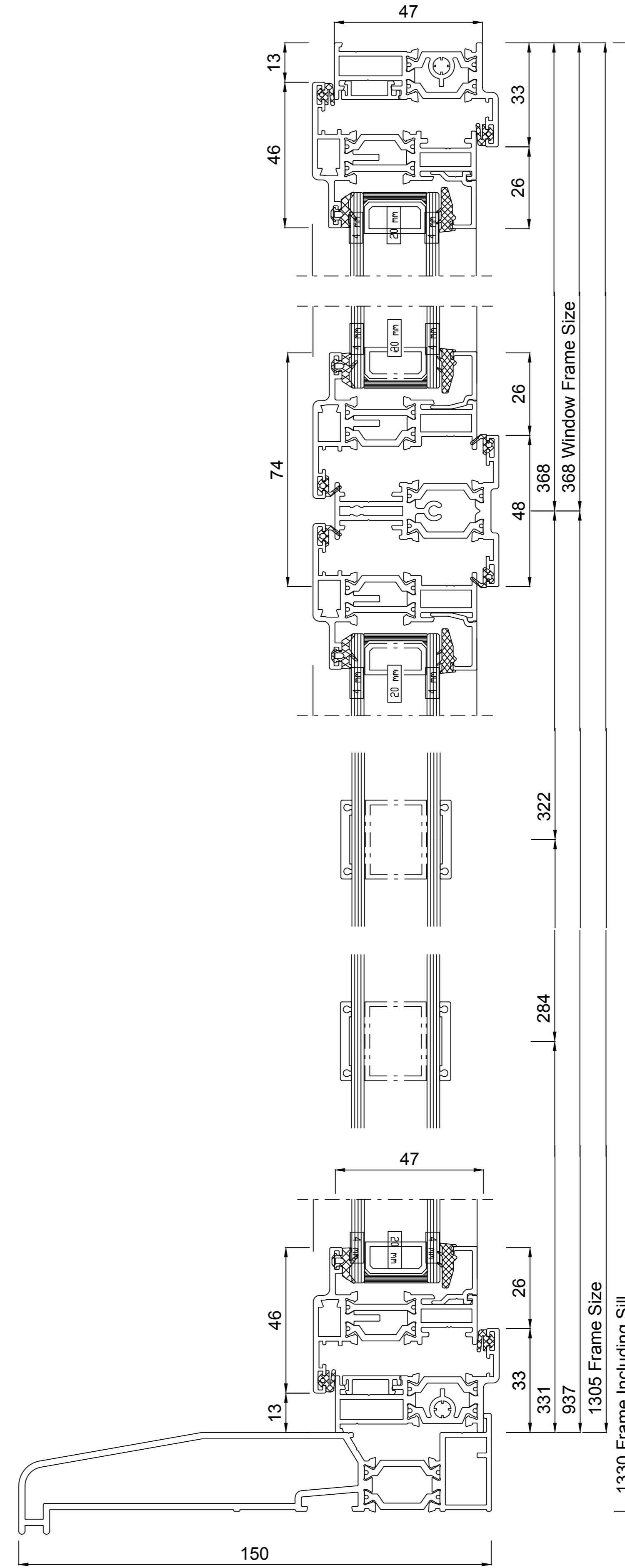
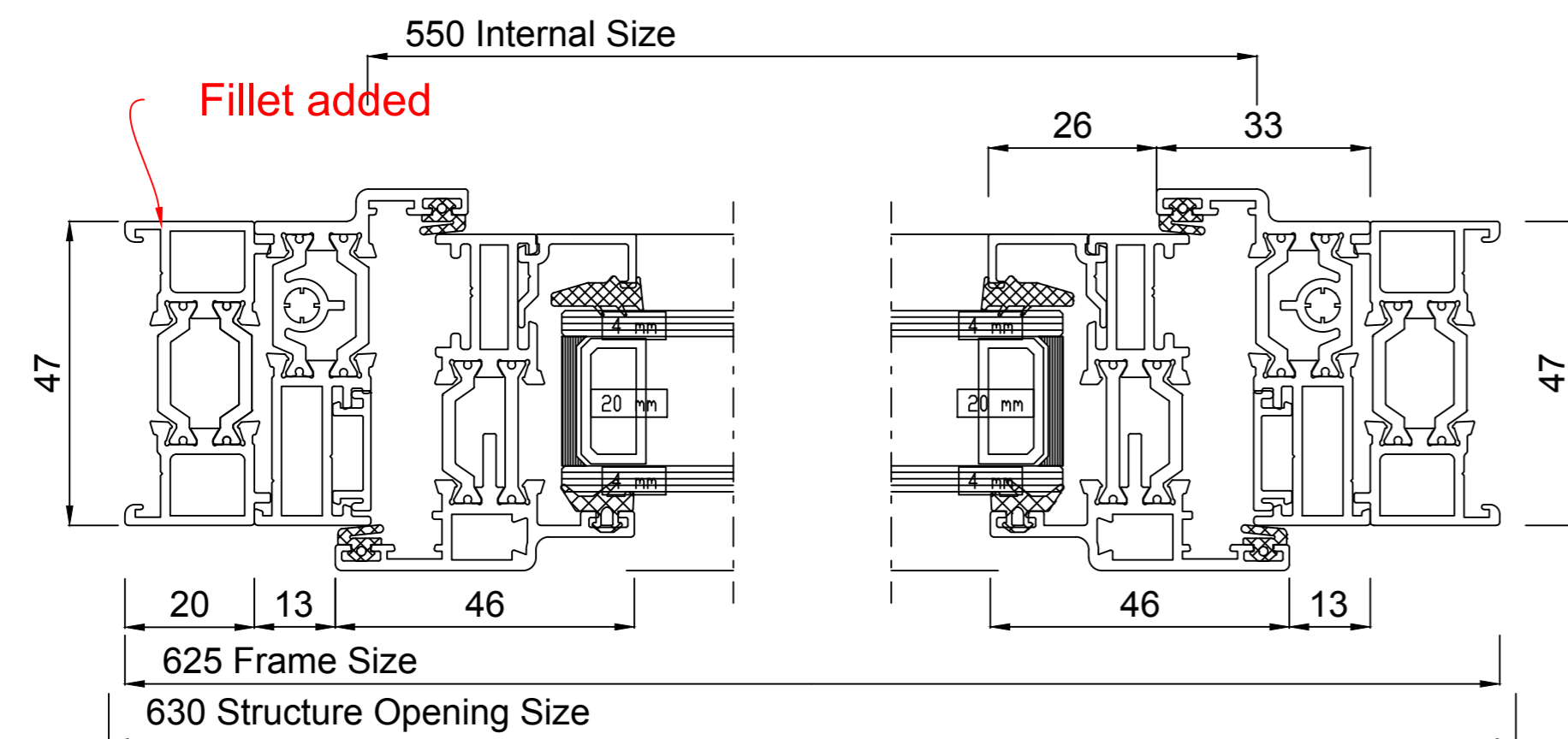
All Dimensions Are In Millimeters  
 All Dimensions To Be Checked On-Site  
 Scale@A1: 1:1 & 1:8 - DO NOT SCALE SIZES OFF DRAWINGS

Client Name	Project No.	
Janet Delves	BGD22177	
Installation Address		
Flat 101 Hillfield Court Belsize Avenue London NW3 4BE		
Designer	Surveyor	
Charlie Stoye	Ben Turner	
Detailer	Date	
Daniel Villaverde	02/02/2023	
Sheet Number	Items	Revision
2	1	R-C
Client Approval Signature		

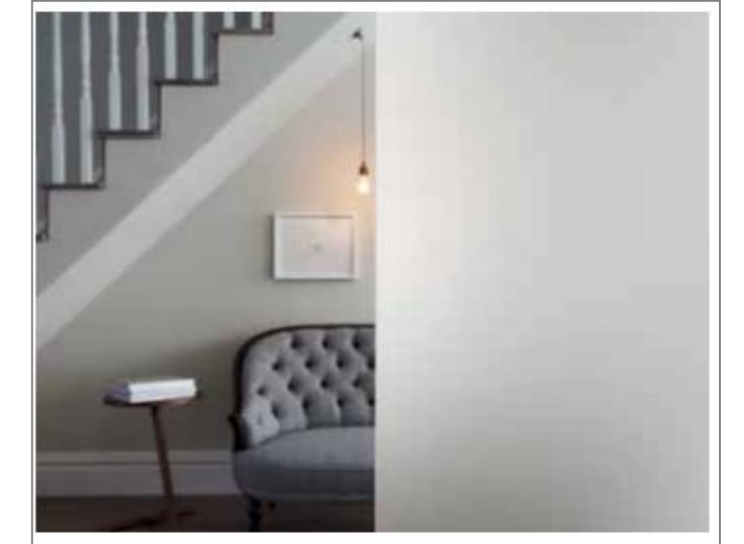
All Elevations Are Viewed From Outside



ITEM 3  
BATHROOM



**SPECIFICATION:**  
**ELEVATIONS** - VIEWED FROM OUTSIDE  
**SECTIONS** - HERITAGE 47 - ALUMINIUM  
**FITTINGS** -  
**TOP HUNG WINDOW**  
 STANDARD HANDLE LOCKING IN WHITE FINISH  
**SIDE HUNG WINDOW**  
 STANDARD HANDLE LOCKING IN WHITE FINISH  
**FIXED AND GLAZED BY BESPOKE GLAZING DESIGN.**  
**PAINT FINISH - RAL9016 MATT - TRAFFIC WHITE**  
**SILICON COLOUR WHITE**  
**GLASS SPECIFICATION -**  
 EXTERNAL: 4mm TOUGHENED LOW IRON  
 CAVITY: 20mm ARGON **BLACK SPACER**  
 INTERNAL: 4mm LAMINATED OBSCURE (SATIN OPAQUE)  
 WE USE SAFETY GLASS AS STANDARD FOR IMPROVED SECURITY AND SAFETY. THESE WILL BE VISIBLY MARKED IN THE BOTTOM CORNER OF EACH PANE TO COMPLY WITH CURRENT BUILDING REGULATIONS.



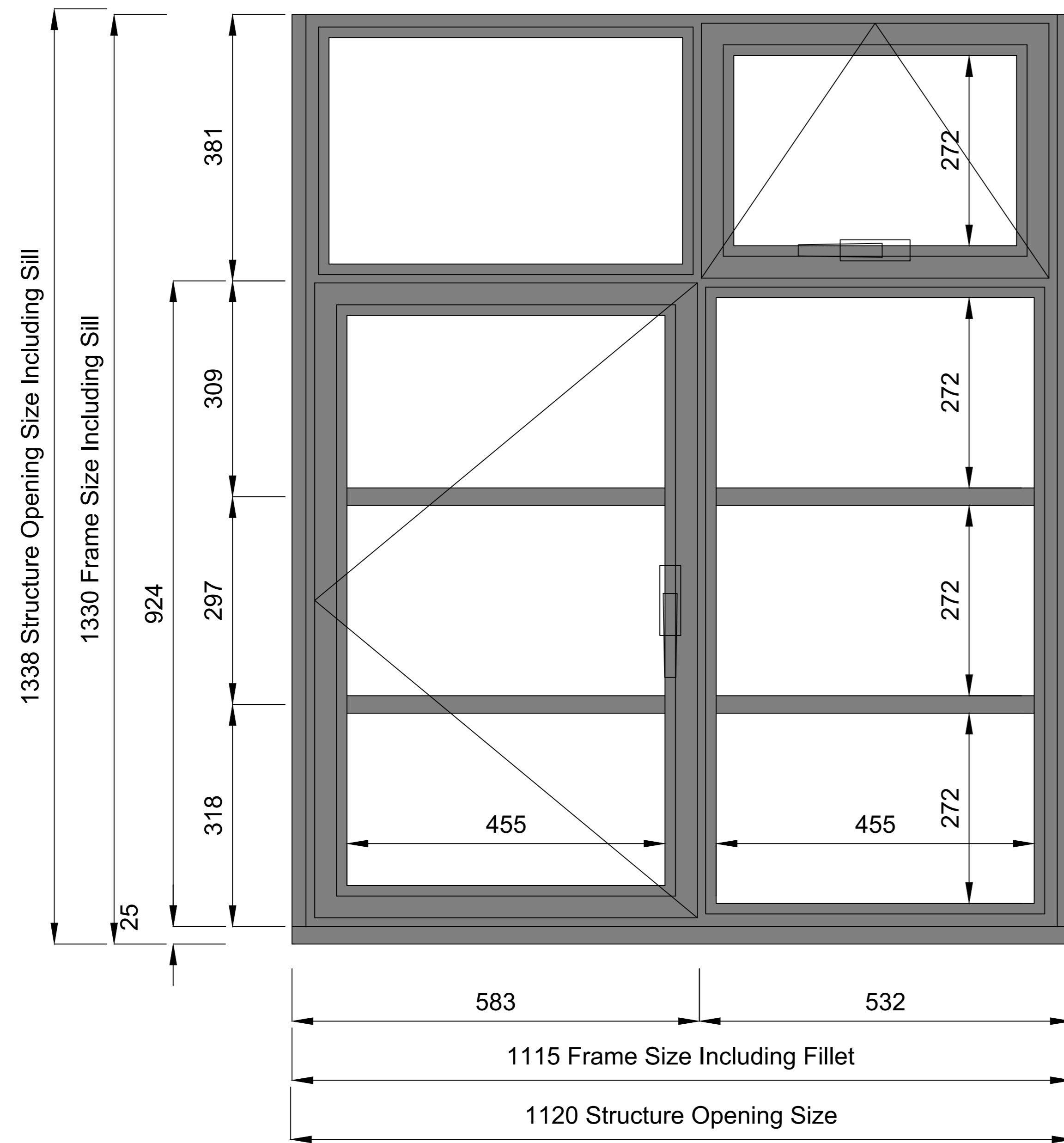
All Dimensions Are In Millimeters  
 All Dimensions To Be Checked On-Site  
 Scale@A1: 1:1 & 1:8 - DO NOT SCALE SIZES OFF DRAWINGS

Client Name	Project No.
Janet Delves	BGD22177

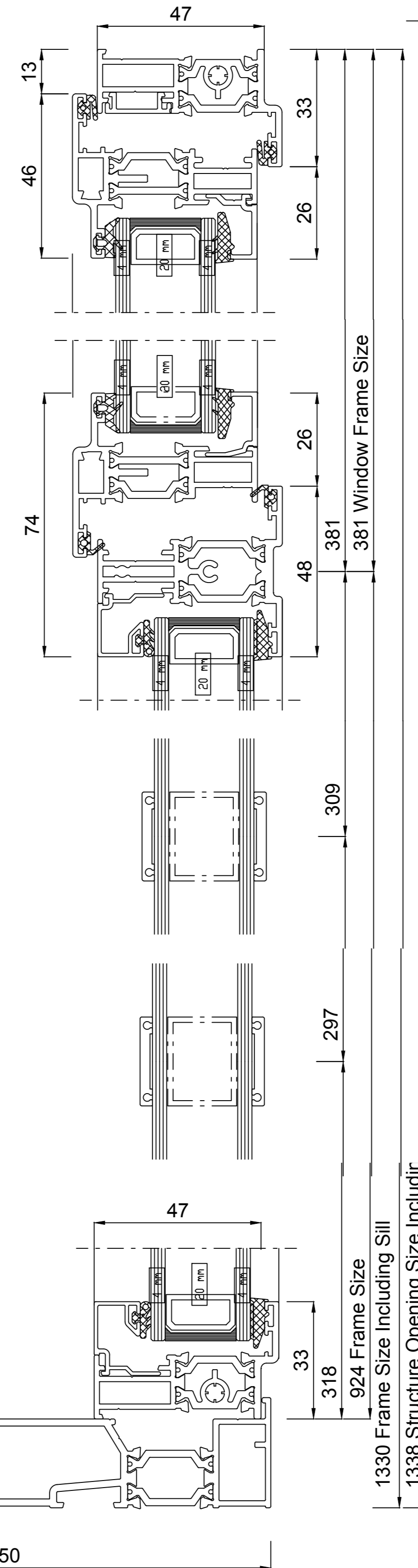
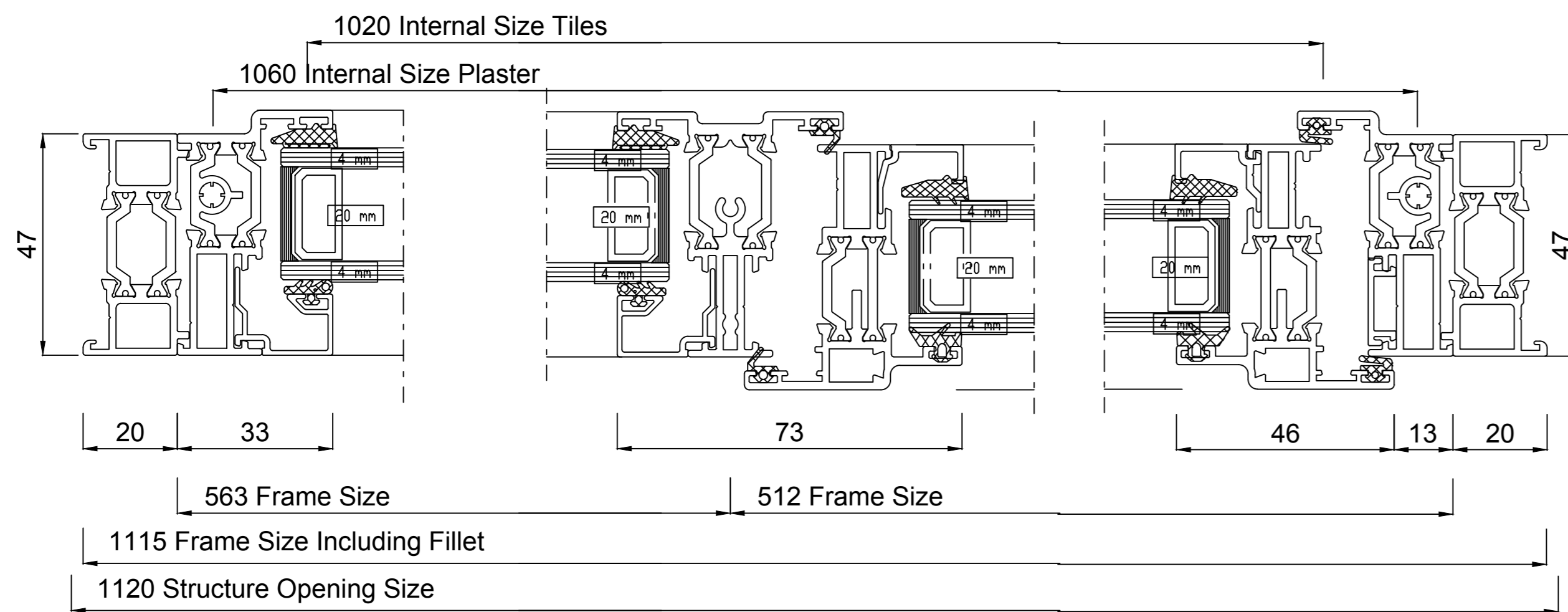
Installation Address  
 Flat 101 Hillfield Court  
 Belsize Avenue  
 London  
 NW3 4BE

Designer	Surveyor	
Charlie Stoye	Ben Turner	
Detailer	Date	
Daniel Villaverde	02/02/2023	
Sheet Number	Items	Revision
3	1	R-C
Client Approval Signature		

All Elevations Are Viewed From Outside



ITEM 4  
Kitchen



**SPECIFICATION:**  
**ELEVATIONS** - VIEWED FROM OUTSIDE  
**SECTIONS** - HERITAGE 47 - ALUMINIUM  
**FITTINGS** -  
**SIDE HUNG WINDOW**  
 STANDARD HANDLE LOCKING IN WHITE FINISH  
**TOP HUNG WINDOW**  
 STANDARD HANDLE LOCKING IN WHITE FINISH  
**FIXED AND GLAZED BY BESPOKE GLAZING DESIGN.**  
**PAINT FINISH - RAL9016 MATT - TRAFFIC WHITE**  
**SILICON COLOUR WHITE**  
**GLASS SPECIFICATION** -  
 EXTERNAL: 4mm TOUGHENED LOW IRON  
 CAVITY: 20mm ARGON **BLACK SPACER**  
 INTERNAL: 4mm TOUGHENED LOW E

WE USE SAFETY GLASS AS STANDARD FOR IMPROVED SECURITY AND SAFETY. THESE WILL BE VISIBLY MARKED IN THE BOTTOM CORNER OF EACH PANE TO COMPLY WITH CURRENT BUILDING REGULATIONS.



All Dimensions Are In Millimeters  
 All Dimensions To Be Checked On-Site  
 Scale@A1: 1:1 & 1:8 - DO NOT SCALE SIZES OFF DRAWINGS

Client Name	Project No.
Janet Delves	BGD22177

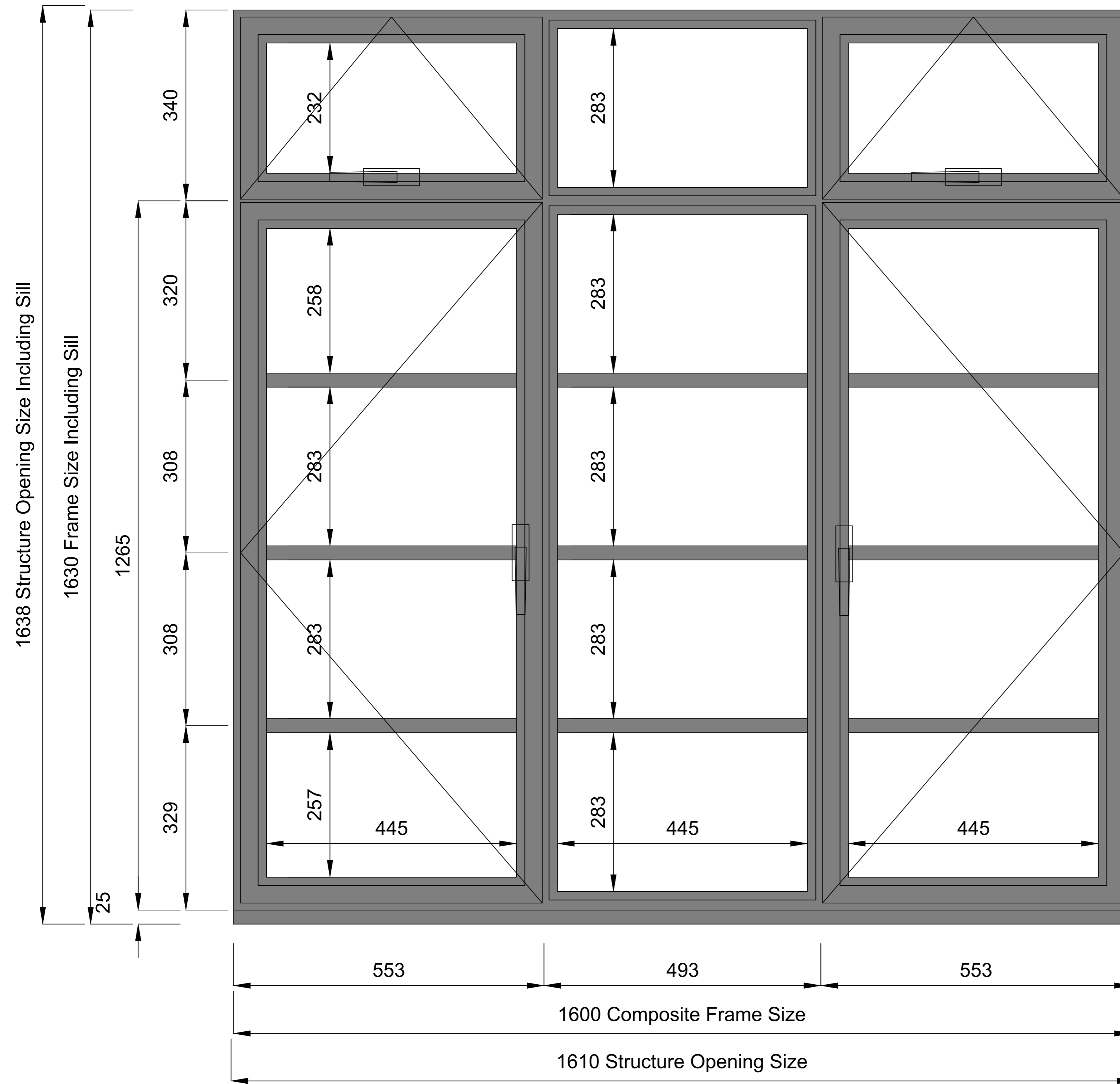
Installation Address  
 Flat 101 Hillfield Court  
 Belsize Avenue  
 London  
 NW3 4BE

Designer	Surveyor
Charlie Stoye	Ben Turner
Detailer	Date
Daniel Villaverde	02/02/2023

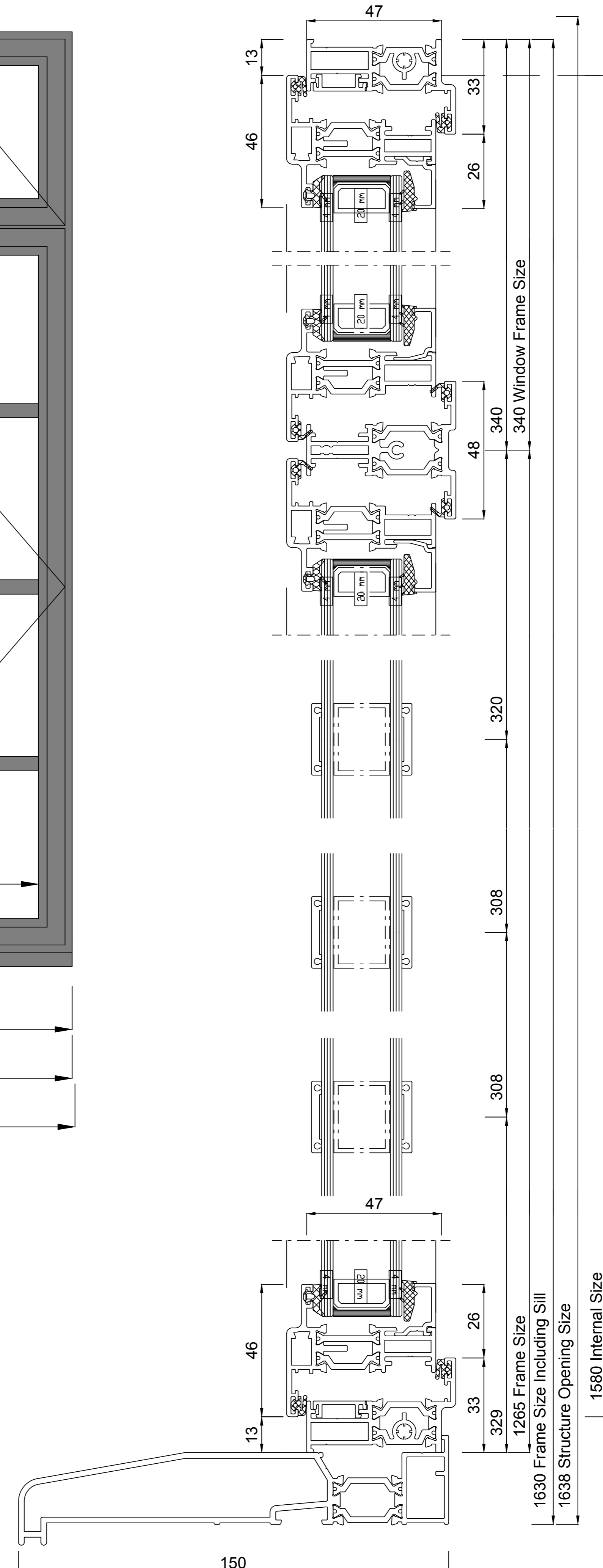
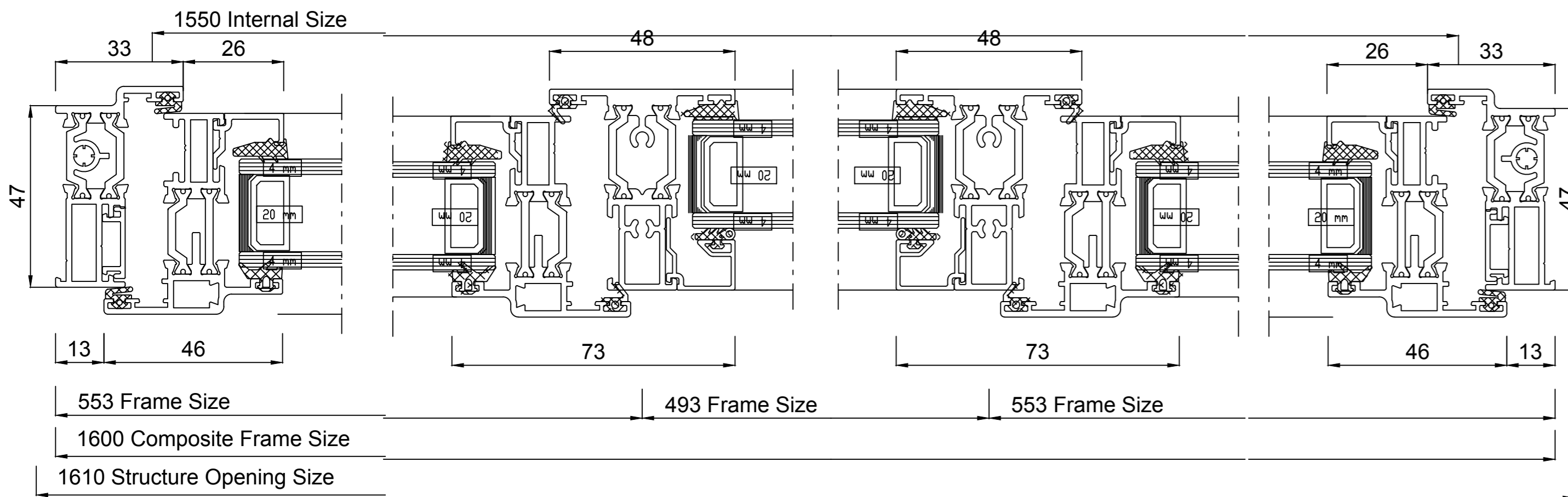
Sheet Number	Items	Revision
4	1	R-C

Client Approval Signature

All Elevations Are Viewed From Outside



ITEM 5  
Master Bedroom



**SPECIFICATION:**  
**ELEVATIONS** - VIEWED FROM OUTSIDE  
**SECTIONS** - HERITAGE 47 - ALUMINIUM  
**FITTINGS** -  
**SIDE HUNG WINDOW**  
 STANDARD HANDLE LOCKING IN WHITE FINISH  
**TOP HUNG WINDOW**  
 STANDARD HANDLE LOCKING IN WHITE FINISH  
**FIXED AND GLAZED BY BESPOKE GLAZING DESIGN.**  
**PAINT FINISH - RAL9016 MATT - TRAFFIC WHITE**  
**SILICON COLOUR WHITE**  
**GLASS SPECIFICATION** -  
 EXTERNAL: 4mm TOUGHENED LOW IRON  
 CAVITY: 20mm ARGON **BLACK SPACER**  
 INTERNAL: 4mm TOUGHENED LOW E

WE USE SAFETY GLASS AS STANDARD FOR IMPROVED SECURITY AND SAFETY. THESE WILL BE VISIBLY MARKED IN THE BOTTOM CORNER OF EACH PANE TO COMPLY WITH CURRENT BUILDING REGULATIONS.



All Dimensions Are In Millimeters  
 All Dimensions To Be Checked On-Site  
 Scale@A1: 1:1 & 1:8 - DO NOT SCALE SIZES OFF DRAWINGS

Client Name	Project No.
Janet Delves	BGD22177

Installation Address  
 Flat 101 Hillfield Court  
 Belsize Avenue  
 London  
 NW3 4BE

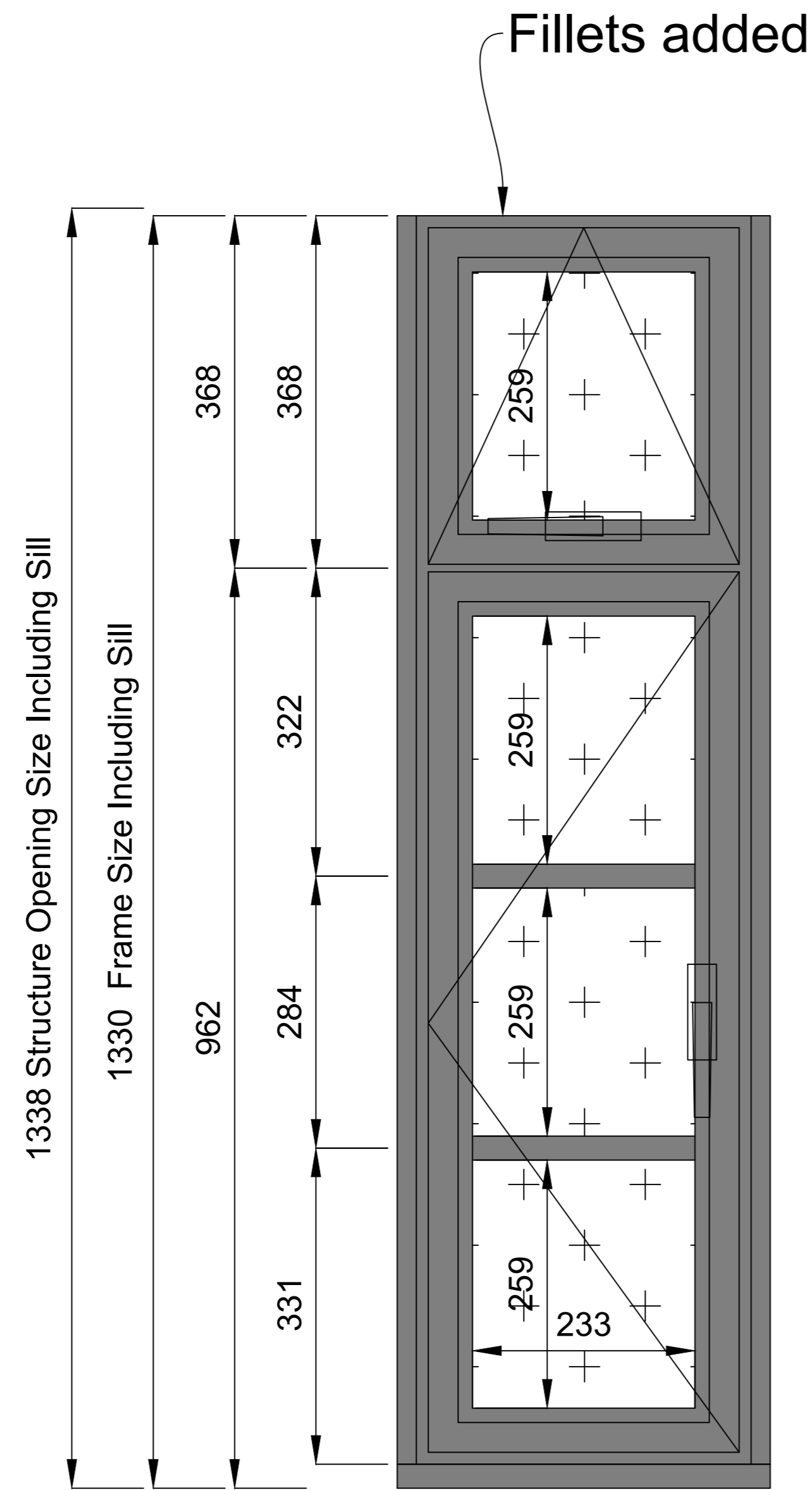
Designer	Surveyor
Charlie Stoye	Ben Turner

Detailer	Date
Daniel Villaverde	02/02/2023

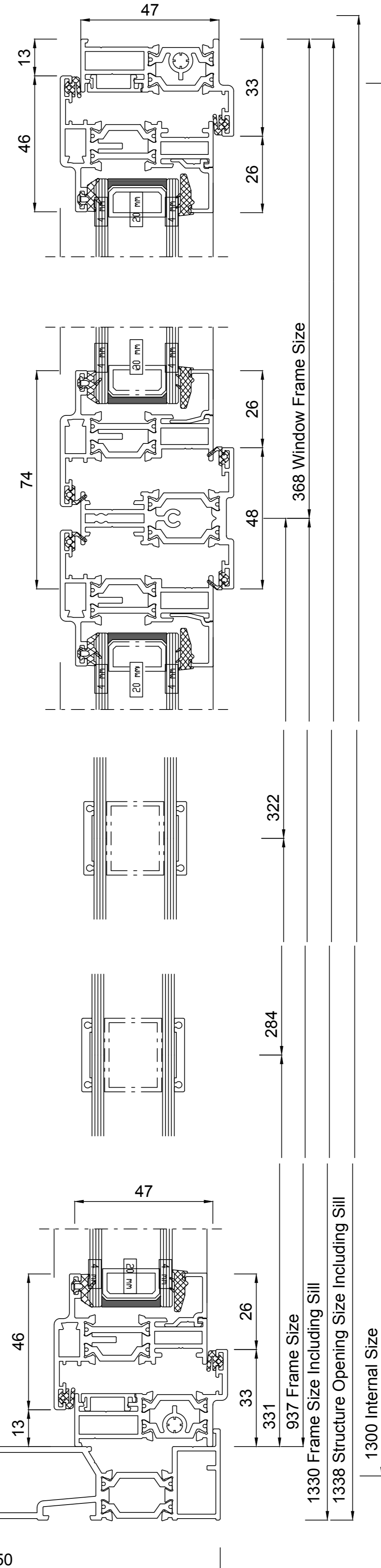
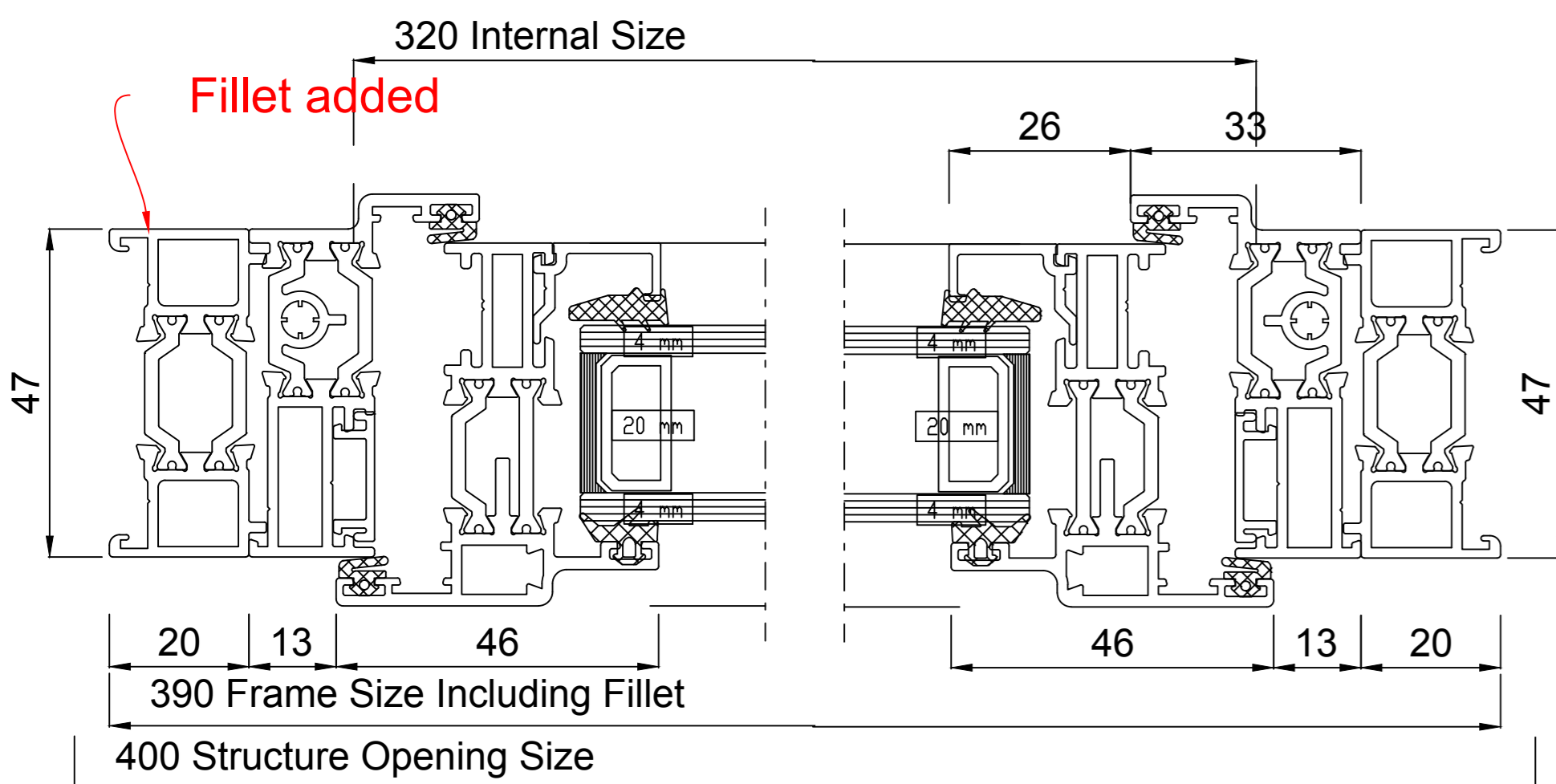
Sheet Number	Items	Revision
5	1	R-C

Client Approval Signature

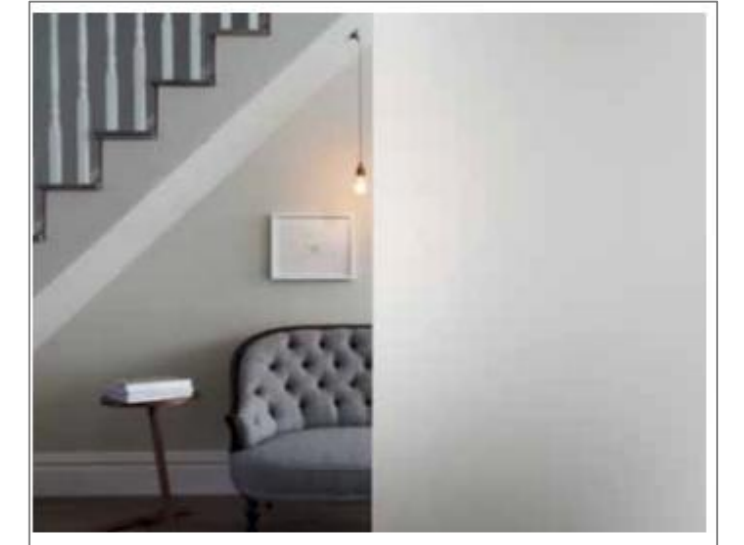
All Elevations Are Viewed From Outside



ITEM 6  
Ensuite



**SPECIFICATION:**  
**ELEVATIONS** - VIEWED FROM OUTSIDE  
**SECTIONS** - HERITAGE 47 - ALUMINIUM  
**FITTINGS** -  
**TOP HUNG WINDOW**  
 STANDARD HANDLE LOCKING IN WHITE FINISH  
**SIDE HUNG WINDOW**  
 STANDARD HANDLE LOCKING IN WHITE FINISH  
**FIXED AND GLAZED BY BESPOKE GLAZING DESIGN.**  
**PAINT FINISH - RAL9016 MATT - TRAFFIC WHITE**  
**SILICON COLOUR WHITE**  
**GLASS SPECIFICATION -**  
 EXTERNAL: 4mm TOUGHENED LOW IRON  
 CAVITY: 20mm ARGON **BLACK SPACER**  
 INTERNAL: 4mm LAMINATED OBSCURE (SATIN OPAQUE)  
 WE USE SAFETY GLASS AS STANDARD FOR IMPROVED SECURITY AND SAFETY. THESE WILL BE VISIBLY MARKED IN THE BOTTOM CORNER OF EACH PANE TO COMPLY WITH CURRENT BUILDING REGULATIONS.



All Dimensions Are In Millimeters  
 All Dimensions To Be Checked On-Site  
 Scale@A1: 1:1 & 1:8 - DO NOT SCALE SIZES OFF DRAWINGS

Client Name	Project No.
Janet Delves	BGD22177

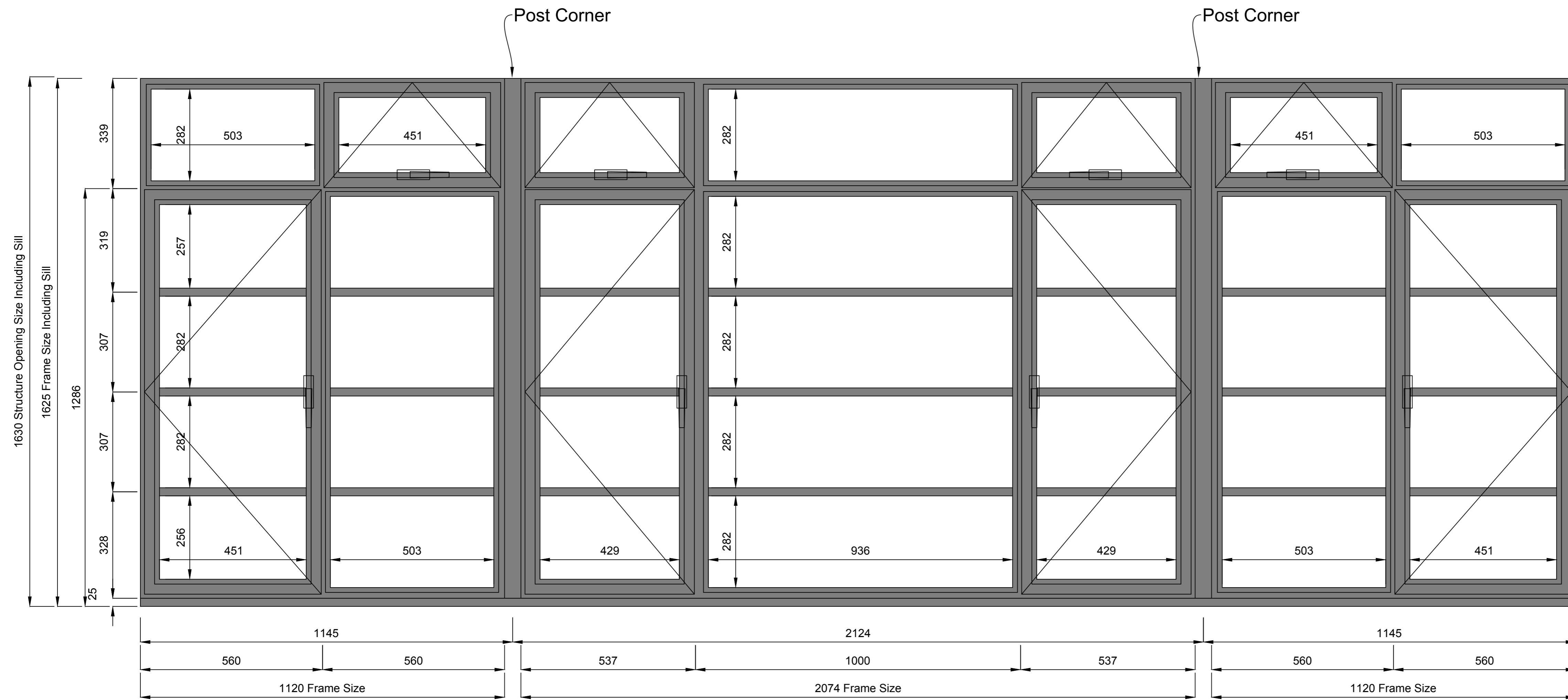
Installation Address  
 Flat 101 Hillfield Court  
 Belsize Avenue  
 London  
 NW3 4BE

Designer	Surveyor
Charlie Stoye	Ben Turner
Detailer	Date
Daniel Villaverde	02/02/2023

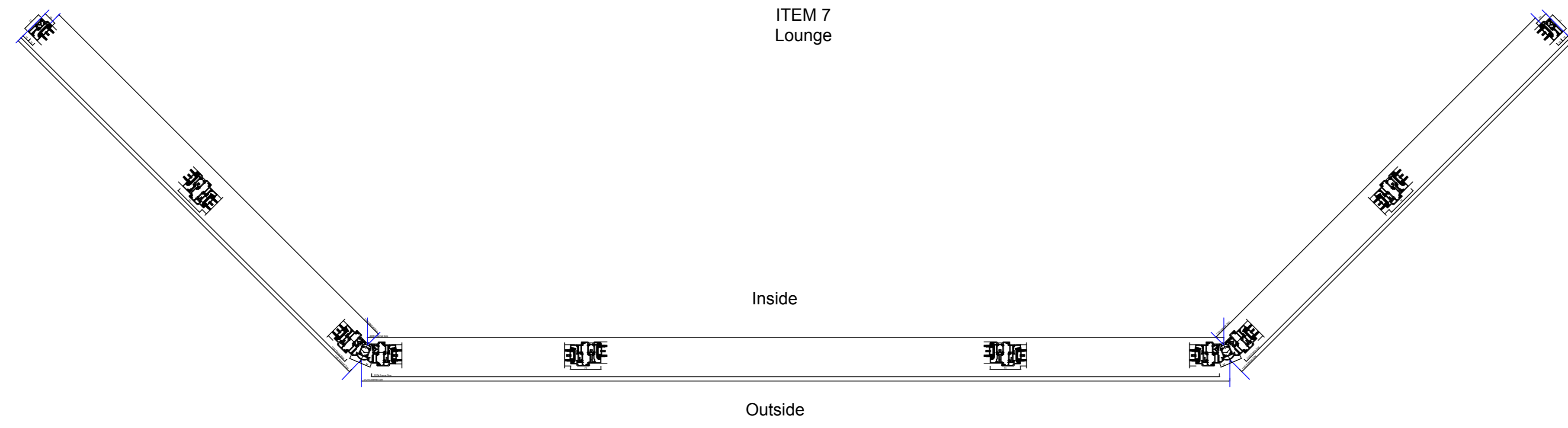
Sheet Number	Items	Revision
6	1	R-C

Client Approval Signature

All Elevations Are Viewed From Outside



ITEM 7  
Lounge



**SPECIFICATION:**  
**ELEVATIONS** - VIEWED FROM OUTSIDE  
**SECTIONS** - HERITAGE 47 - ALUMINIUM  
**FITTINGS** -  
**SIDE HUNG WINDOW**  
 STANDARD HANDLE LOCKING IN WHITE FINISH  
**TOP HUNG WINDOW**  
 STANDARD HANDLE LOCKING IN WHITE FINISH  
**FIXED AND GLAZED BY BESPOKE GLAZING DESIGN.**  
**PAINT FINISH - RAL9016 MATT - TRAFFIC WHITE**  
**SILICON COLOUR WHITE**  
**GLASS SPECIFICATION -**  
 EXTERNAL: 4mm TOUGHENED LOW IRON  
 CAVITY: 20mm ARGON **BLACK SPACER**  
 INTERNAL: 4mm TOUGHENED LOW E

WE USE SAFETY GLASS AS STANDARD FOR IMPROVED SECURITY AND SAFETY. THESE WILL BE VISIBLY MARKED IN THE BOTTOM CORNER OF EACH PANE TO COMPLY WITH CURRENT BUILDING REGULATIONS.



All Dimensions Are In Millimeters  
 All Dimensions To Be Checked On-Site  
 Scale@A1: 1:1 & 1:8 - DO NOT SCALE SIZES OFF DRAWINGS

Client Name	Project No.
Janet Delves	BGD22177

Installation Address  
 Flat 101 Hillfield Court  
 Belsize Avenue  
 London  
 NW3 4BE

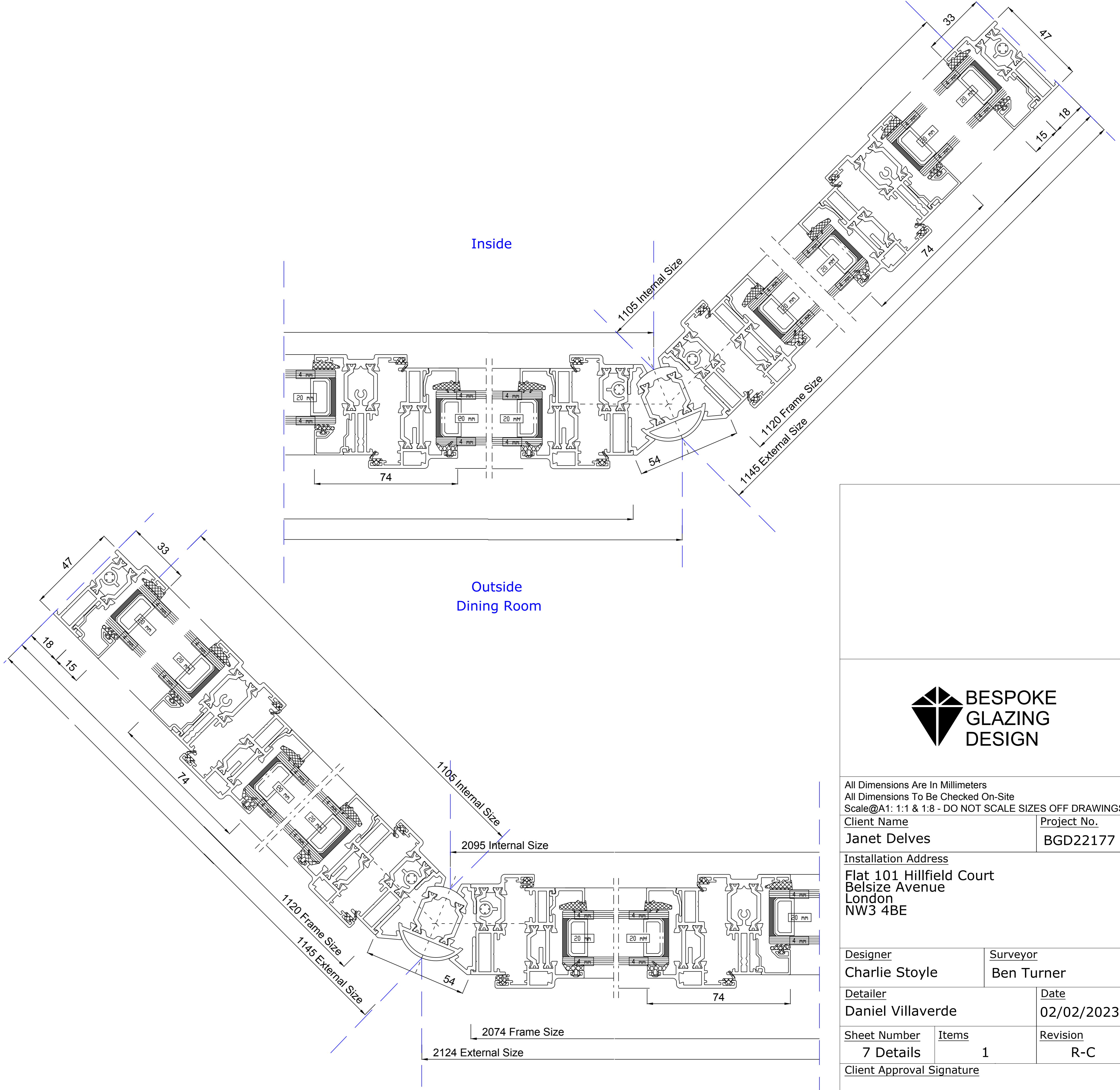
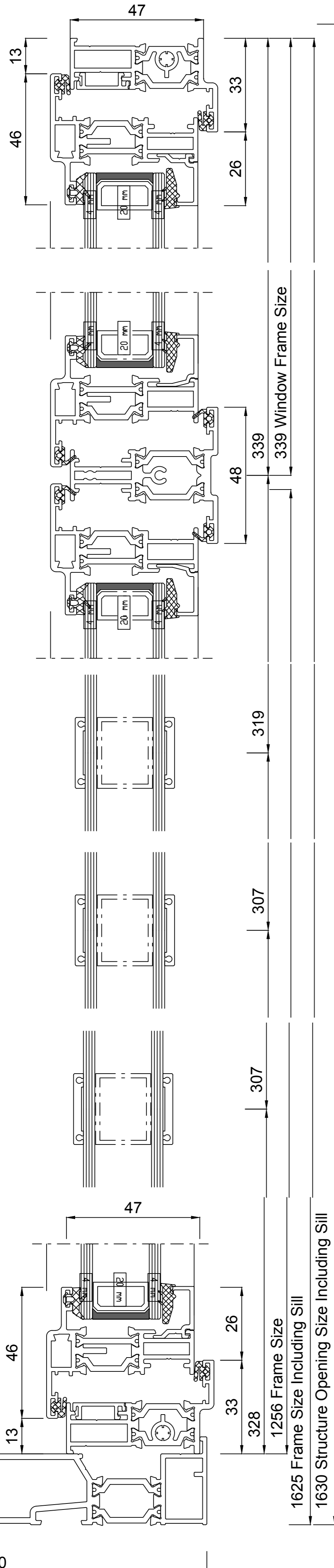
Designer	Surveyor
Charlie Stoye	Ben Turner
Detailer	Date
Daniel Villaverde	02/02/2023

Sheet Number	Items	Revision
7	1	R-C

Client Approval Signature



All Elevations Are Viewed From Outside



All Dimensions Are In Millimeters  
 All Dimensions To Be Checked On-Site  
 Scale@A1: 1:1 & 1:8 - DO NOT SCALE SIZES OFF DRAWINGS

Client Name	Project No.	
Janet Delves	BGD22177	
Installation Address		
Flat 101 Hillfield Court Belsize Avenue London NW3 4BE		
Designer	Surveyor	
Charlie Stoye	Ben Turner	
Detailer	Date	
Daniel Villaverde	02/02/2023	
Sheet Number	Items	Revision
7 Details	1	R-C
Client Approval Signature		