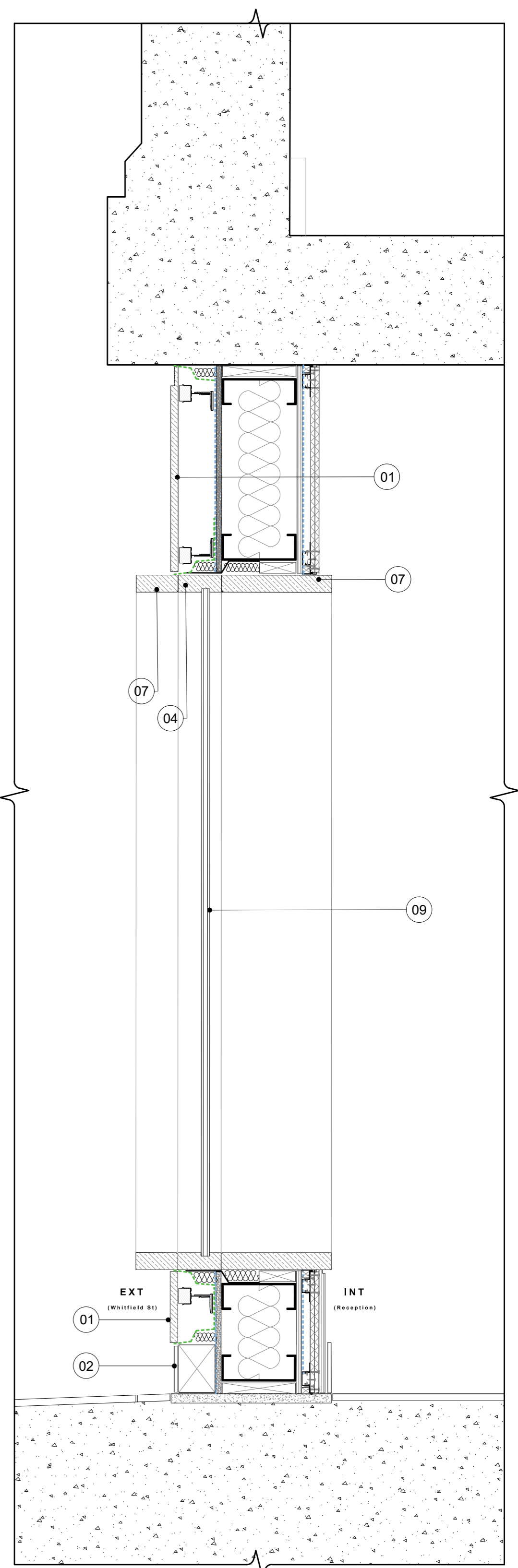
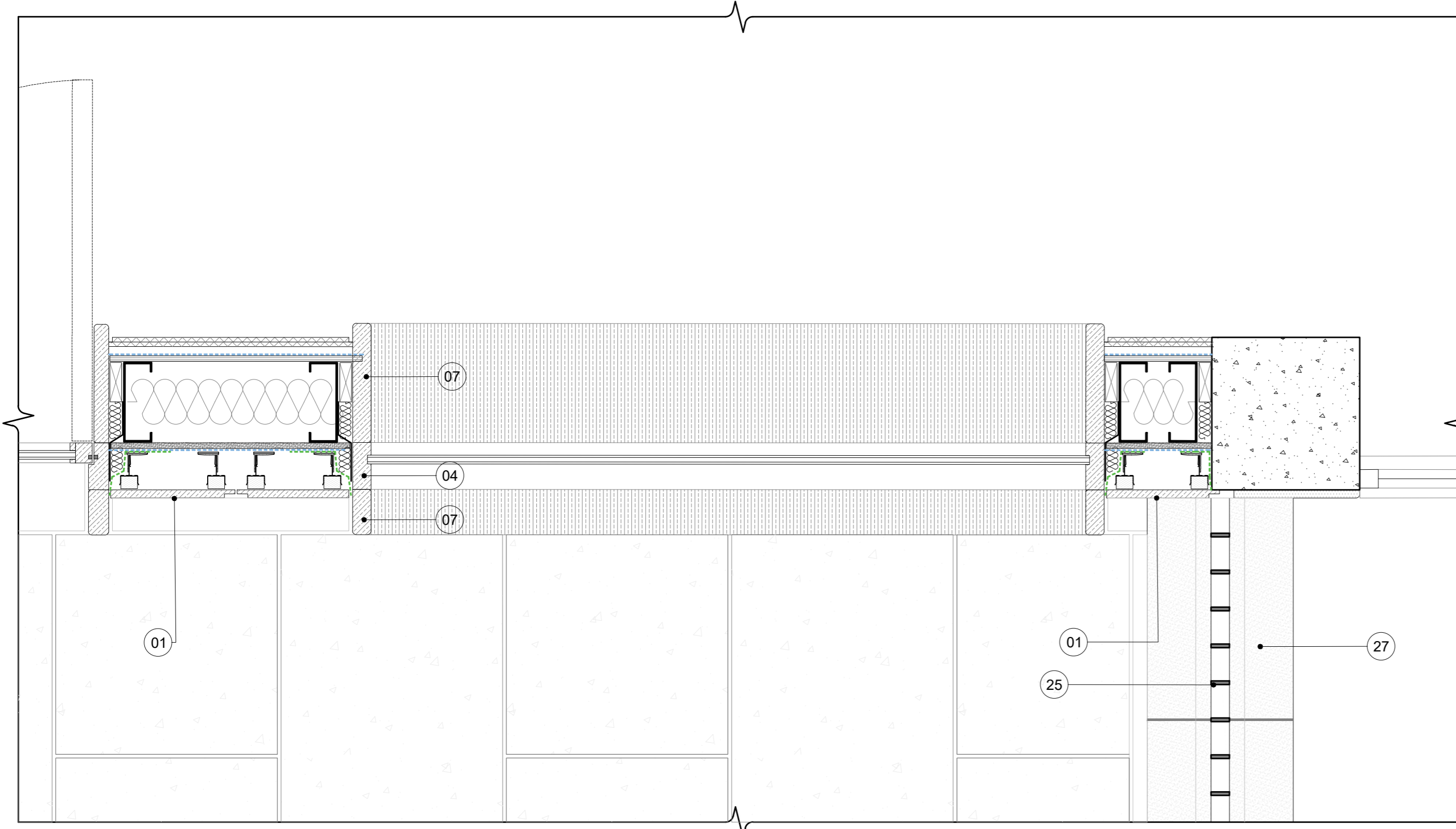


01 TIMBER SHOP-FRONT WINDOW
A8120 ELEVATION



BB TIMBER SHOP-FRONT WINDOW
A8120 SECTION



AA TIMBER SHOP-FRONT WINDOW
A8120 PLAN

LEGEND

1. New high pressure laminate cladding
2. New tiled upstand/skirting
3. New treated hardwood timber door frame
4. New treated hardwood timber window frame
5. New treated hardwood timber door leaf
6. New treated hardwood glazing bead
7. New treated hardwood joinery
8. New treated hardwood joinery
9. New double glazed unit
10. New pull handle
11. New brushed stainless steel kick plate
12. New brushed stainless steel access control panel
13. New applied metal signage
14. New solid treated timber fixed panel
15. New fire rated metal door system
16. New fire rated metal door and fixed glazing system
17. New fire rated metal window system
18. New fire rated metal window and panel system
19. New stone step to terrace door
20. New external treated timber decking
21. New flat plate steel balustrade
22. New flat plate steel gate
23. New coping
24. New tile finish to existing upstand

Drawing Title

EXTERNAL DETAILS

GROUND FLOOR TIMBER SHOP-FRONT
WINDOW (WG-02/07)

Drawn By US Checked By JS Scale @ A1 1:10 Scale @ A3 1:20

Project No. Drawing No. Revision
dMFK 2271 A8120 -

0.0 0.1 0.2 0.3 0.4 0.5
metre

dMFK

The Old Library, 119 Cholmley Gardens, London, NW6 1AA
t: 0207 435 1144 e: info@dmfk.co.uk w: www.dmfk.co.uk

Client
DERWENT LONDON

Project
45 WHITFIELD STREET, FITZROVIA,
LONDON, W1T 4HD