

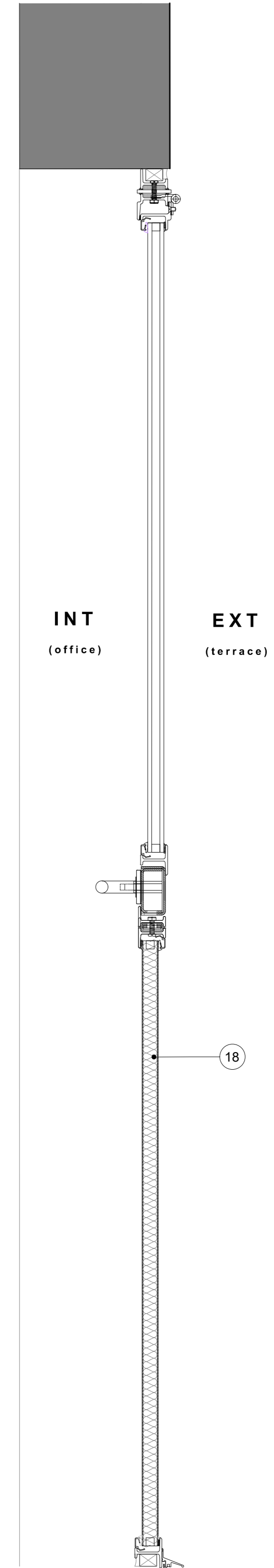
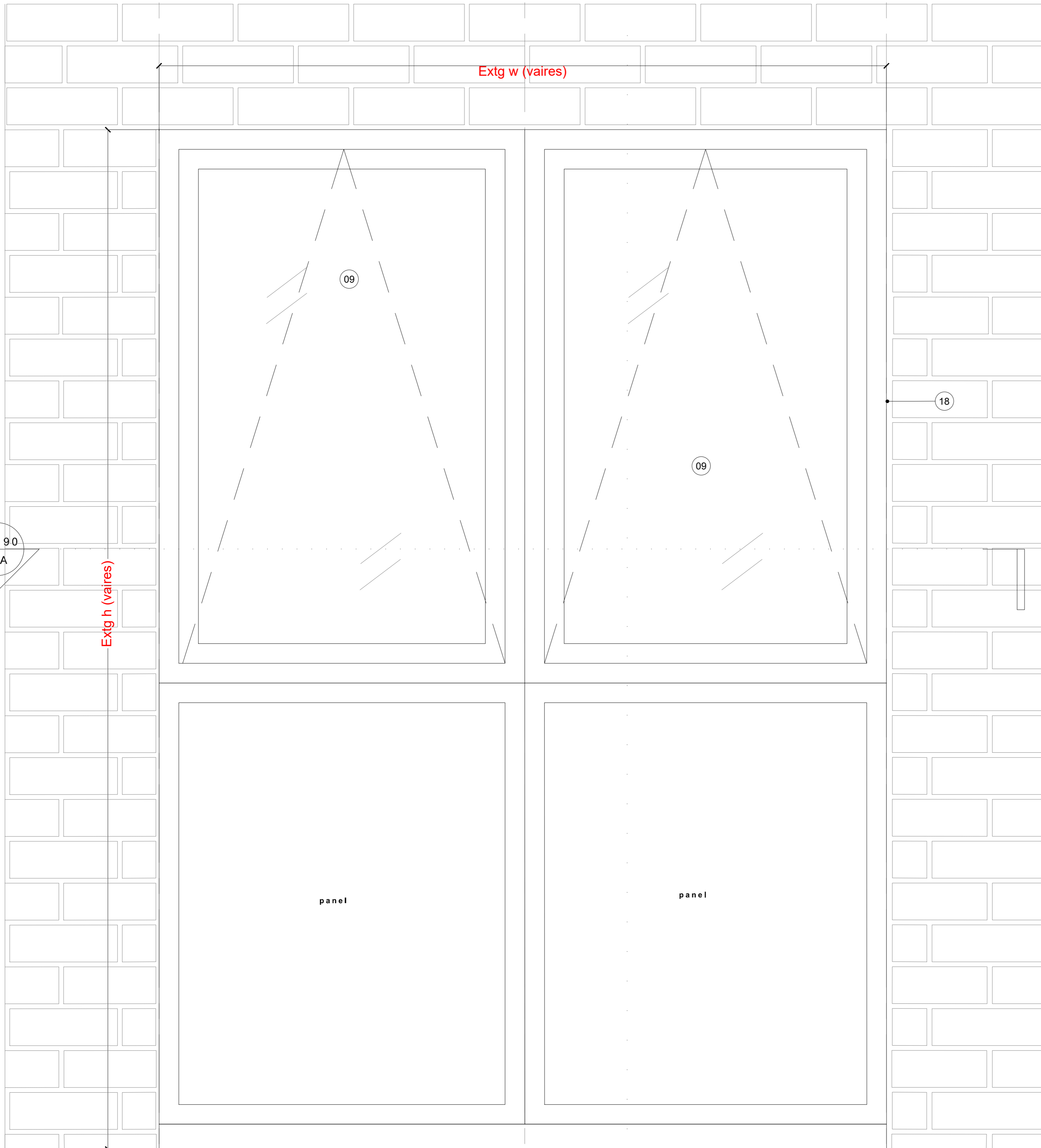
LC

A8190
BB

Extg w (vaires)

Extg h (vaires)

A8190
AA



01 FOURTH FLOOR WINDOW - TYPE 6
A8190 ELEVATION

BB FOURTH FLOOR WINDOW - TYPE 6
A8190 SECTION

INT
(office)

EXT
(terrace)

09

18

AA FOURTH FLOOR WINDOW - TYPE 6
A8190 PLAN

LEGEND

- | | |
|--|---|
| 1. New high pressure laminate cladding | 20. New external treated timber decking |
| 2. New tiled upstand/skirting | 21. New flat plate steel balustrade |
| 3. New treated hardwood timber door frame | 22. New flat plate steel gate |
| 4. New treated hardwood timber window frame | 23. New coping |
| 5. New treated hardwood timber door leaf | 24. New tile finish to existing upstand |
| 6. New treated hardwood glazing bead | |
| 7. New treated hardwood joinery | |
| 8. New reated hardwood joinery | |
| 9. New double glazed unit | |
| 10. New pull handle | |
| 11. New brushed stainless steel kick plate | |
| 12. New brushed stainless steel access control panel | |
| 13. New applied metal signage | |
| 14. New solid treated timber fixed panel | |
| 15. New fire rated metal door system | |
| 16. New fire rated metal door and fixed glazing system | |
| 17. New fire rated metal window system | |
| 18. New fire rated metal window and panel system | |

Drawing Title

EXTERNAL DETAILS
TYPICAL METAL WINDOW 5/6
(W4-09) (W4-10)

Drawn By	Checked By	Scale @ A1	Scale @ A3
US	JS	1:5	1:10

Project No.	Drawing No.	Revision
dMFK 2271	A8190	-

0 50 100 150 200 250
millimetre

dMFK

The Old Library, 119 Cholmley Gardens, London. NW6 1AA
t: 0207 435 1144 e: info@dmfk.co.uk w: www.dmfk.co.uk

Client
DERWENT LONDON

Project
45 WHITFIELD STREET, FITZROVIA,
LONDON, W1T 4HD