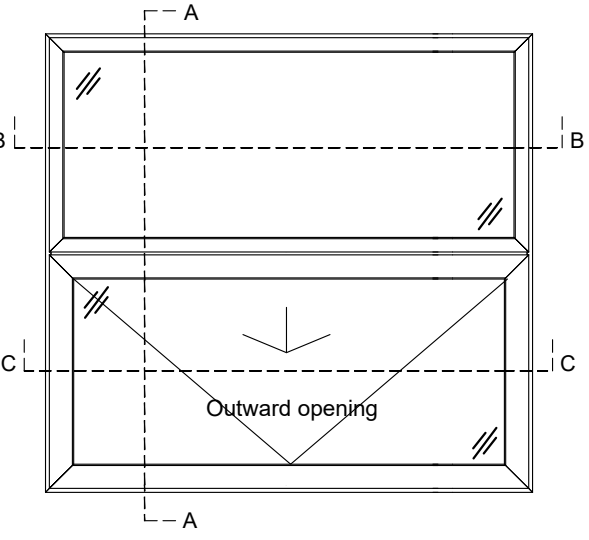
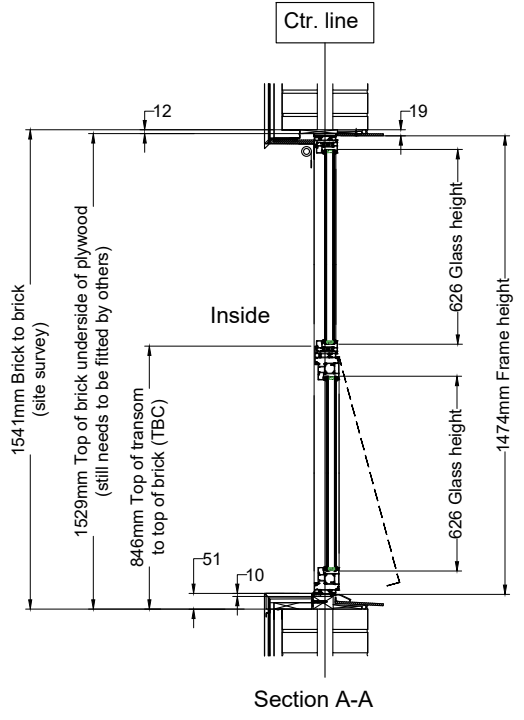
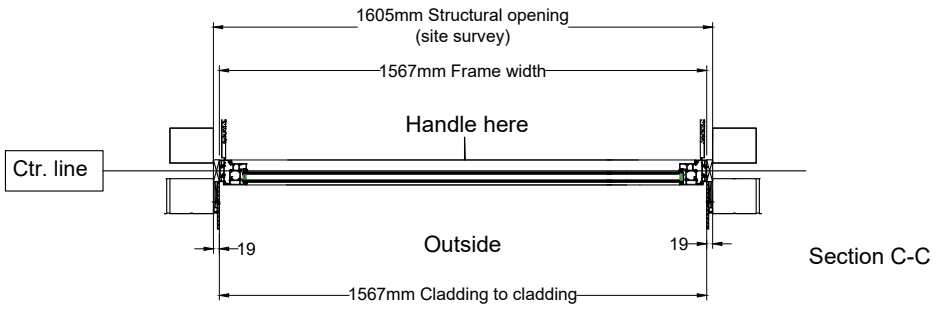
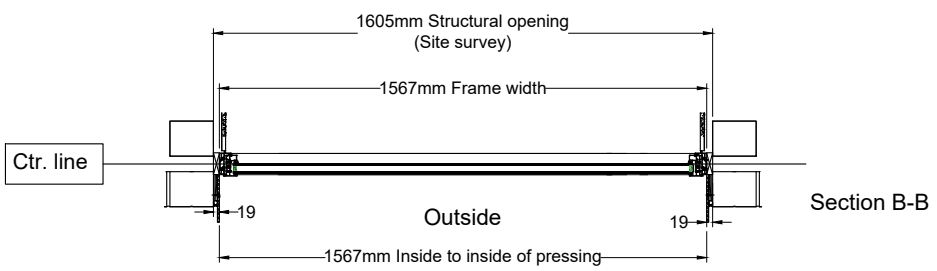


NOTE: DETAILS ARE BASED ON ARCHITECT'S CAD FILE PROVIDED



Quantity: 1 off as drawn (Living room)

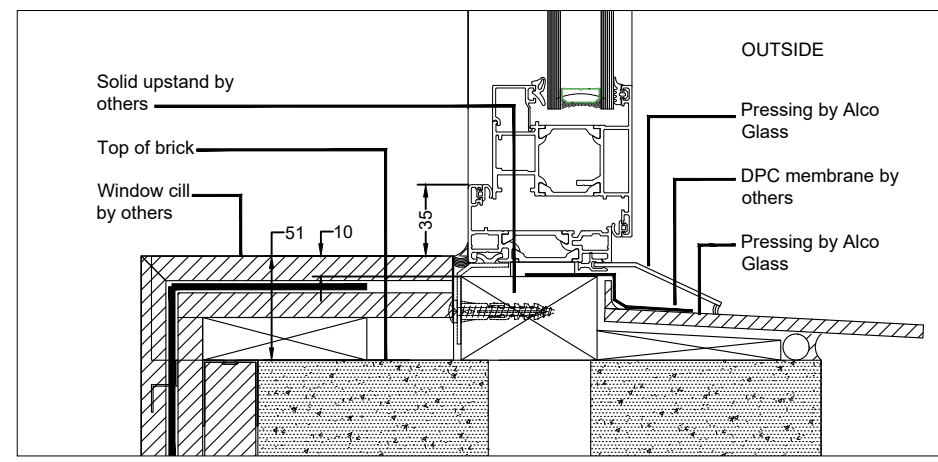
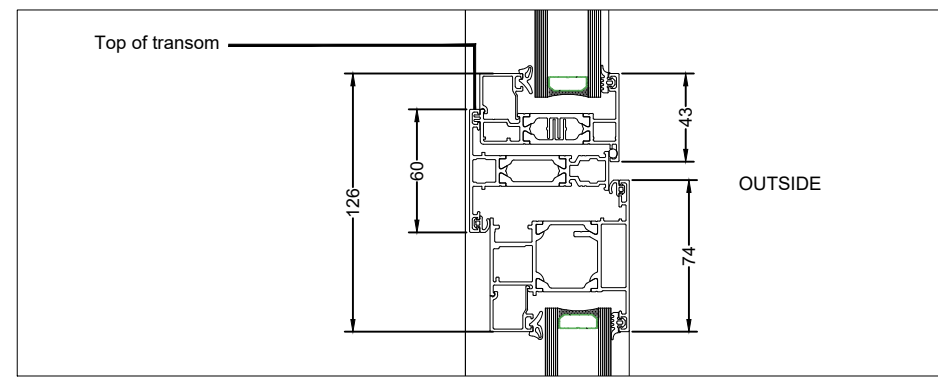
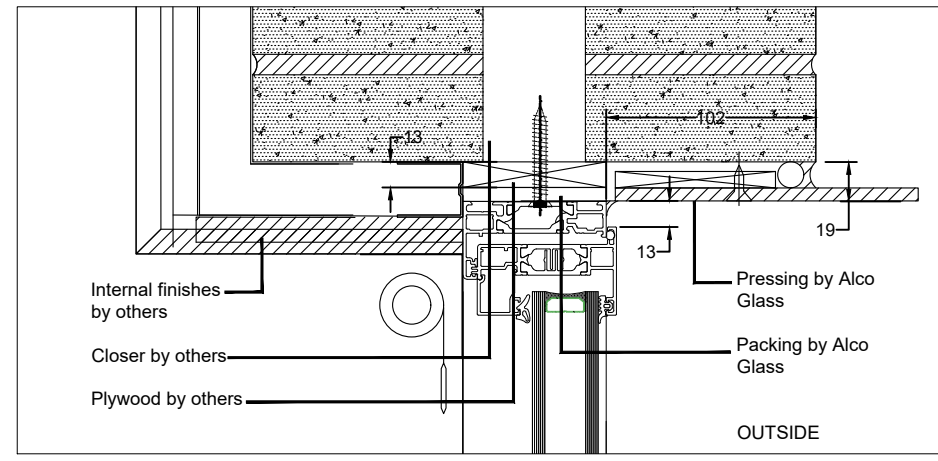
Schuco window: AWS70SC

Frame Finish: RAL 7005 matt

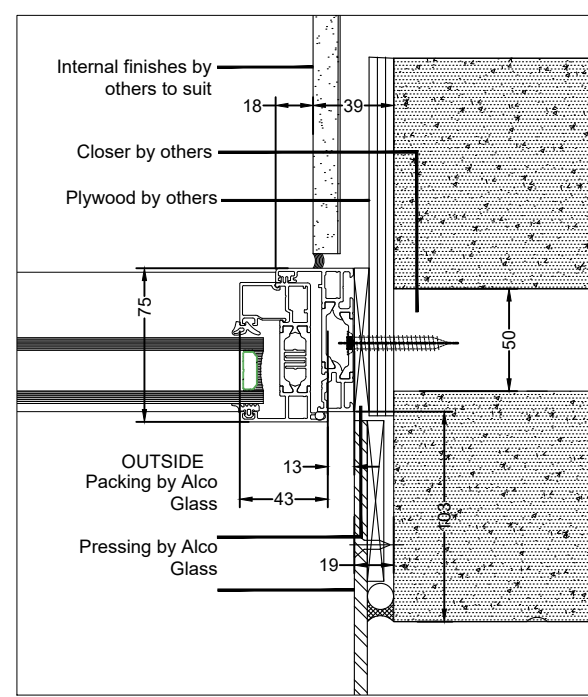
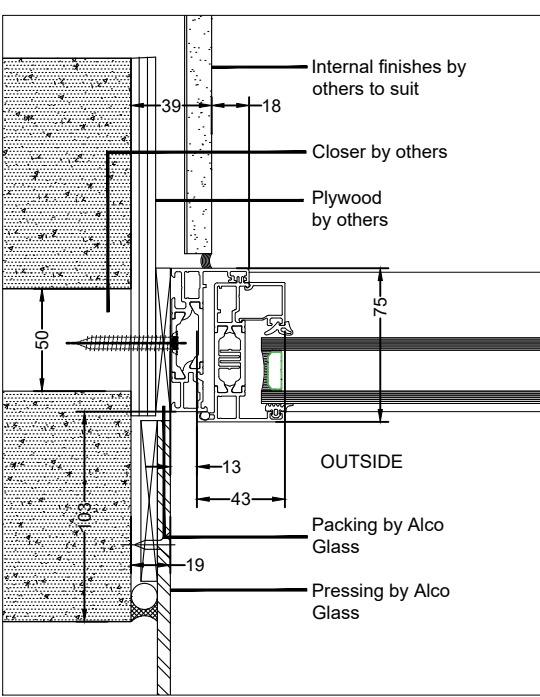
Glass spec.
6mm Clear toughened
20mm Argon cavity
6mm Clear laminated (Low e.)

All ironmongery: Black

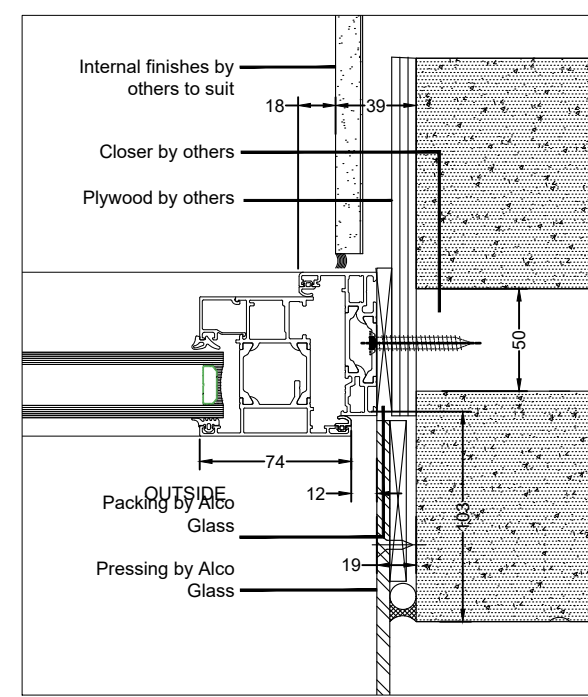
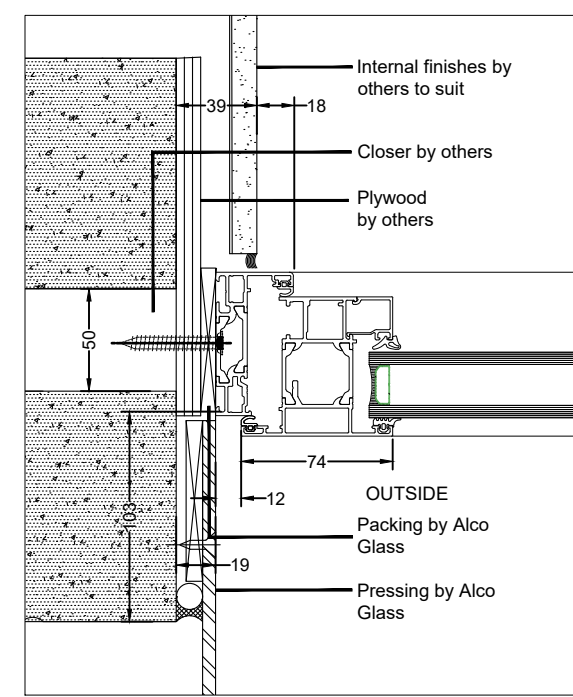
ELEVATION: VIEWED FROM OUTSIDE
W02- First floor level



SECTION DETAILS THROUGH SECTION A-A



SECTION DETAILS THROUGH SECTION B-B



SECTION DETAILS THROUGH SECTION C-C

Glass Spec.: See elevation

Spacer bar colour: Black (TBC)

Client Checklist

- IRONMONGERY
- HANDLE FINISH: SEE ELEVATION
 - HINGE FINISH: SEE ELEVATION

- SYSTEM FINISH(ES)
- INTERNAL FINISH: SEE ELEVATION
 - EXTERNAL FINISH: SEE ELEVATION

- SIGNED APPROVAL
- STATUS A: APPROVED FOR CONSTRUCTION
 - STATUS B: APPROVED AS NOTED
 - STATUS C: RESUBMIT FOR APPROVAL

SIGNED: _____

PRINT: _____

DATED: _____

IN ORDER TO ENSURE THAT YOUR EXPECTATIONS ARE MET, WE WOULD ASK THAT YOU REVIEW THE DRAWINGS AND TICK AS APPROPRIATE ABOVE AND SIGN.

NOTE: MANUFACTURE CAN COMMENCE ONLY ONCE APPROVAL STATUS A OR B HAS BEEN RECEIVED.

© 2005 - 2017
THIS DRAWING REMAINS THE PROPERTY OF ALCO GLASS SYSTEMS LTD AND MAY NOT BE UTILISED, DISSEMINATED, DISTRIBUTED OR REPRODUCED SAVE FOR THE PURPOSES FOR WHICH IT WAS ISSUED BY ALCO GLASS SYSTEMS LTD WITHOUT EXPRESS WRITTEN PERMISSION.

ISSUED FOR: APPROVAL

REV.	DATE	REVISION	BY
A	08-2-23	UPDATED TO COMMENTS AND SURVEY	BP

DO NOT COPY WITHOUT OUR WRITTEN CONSENT ©

PRODUCT SPEC.	Schuco
OPERATING SYSTEM	See elevation
GLAZING	See elevation
FURNITURE	N/A
PANEL FINISH	See elevation
No. OF PANELS	See elevation



Sycamore House, 1 Woodside Rd,
Amersham, Bucks, HP6 6AA
Tel: 01494 95 77 30
www.alcoglass.co.uk

CLIENT PHILIAM CONSTRUCTION LTD
PROJECT 8 REGAL LANE, LONDON

TITLE W02: Living room
Paper Size A3
Projection

DATE	12-10-22	DRAWING NUMBER	AG-P22-47-04	REV	A
DRAWN BY	BP	SCALE	NTS		