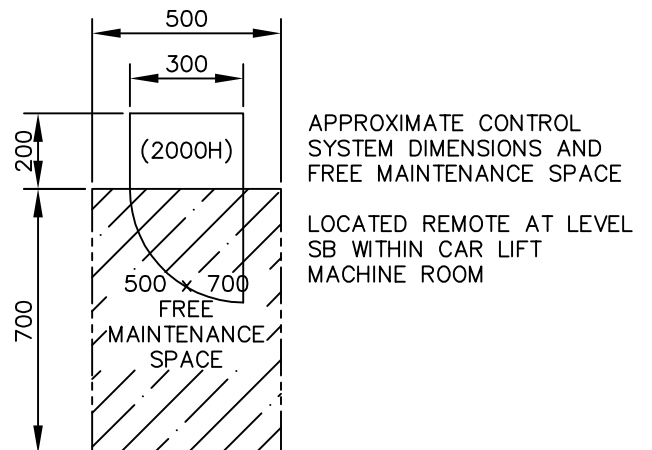
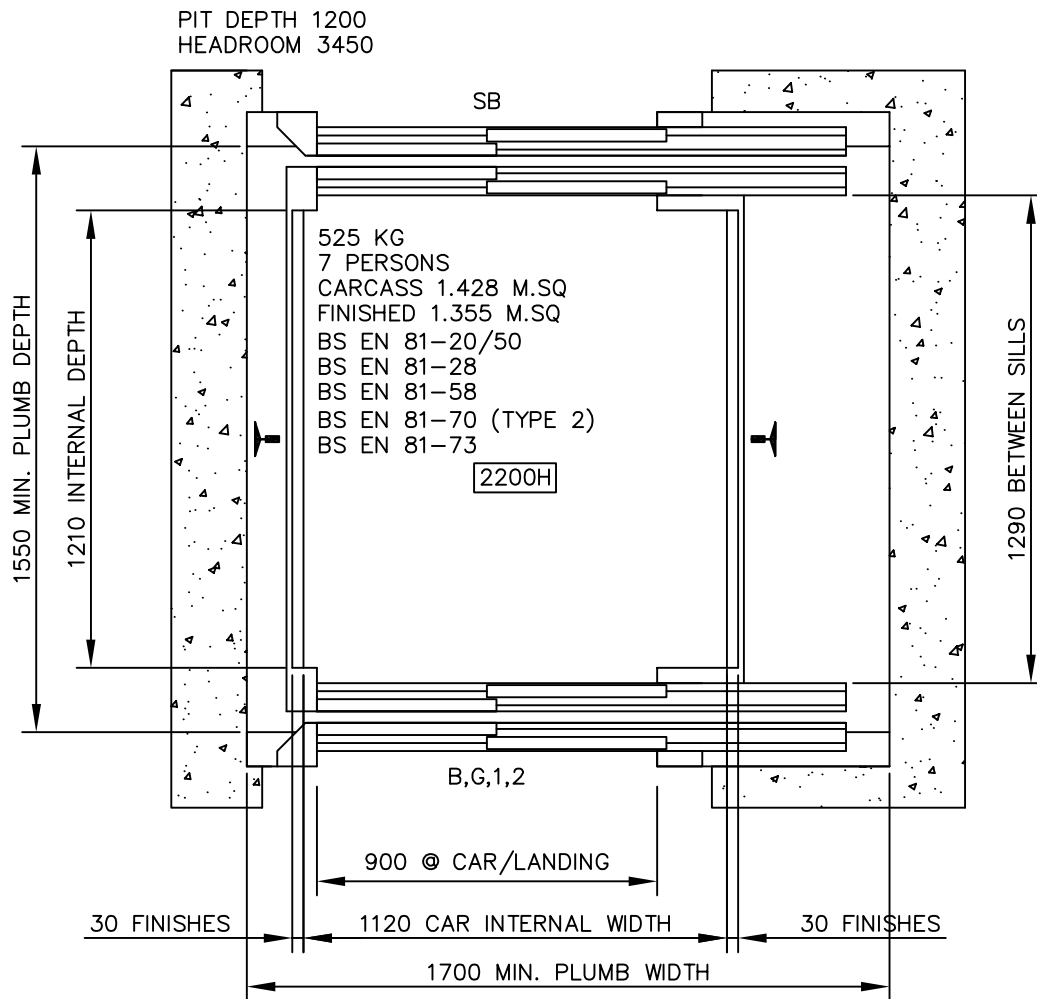


# LIFTING ADVICE TO THE NEXT LEVEL

Experts in bespoke inspection design assurance specification management testing



PROJECT	73-75 AVENUE ROAD NW8						
TITLE	FAMILY LIFT OPTION 2						
DATE	15-07-2019	DRAWN	RMS	SCALE	1:20	NUMBER	V61576-03B

2A MAPLE COURT, ASH LANE, COLLINGTREE, NORTHAMPTON NN4 0NB. UK. +44(0)1604 858850. INFO@VERTICA-CONSULTING.CO.UK

# Vertica