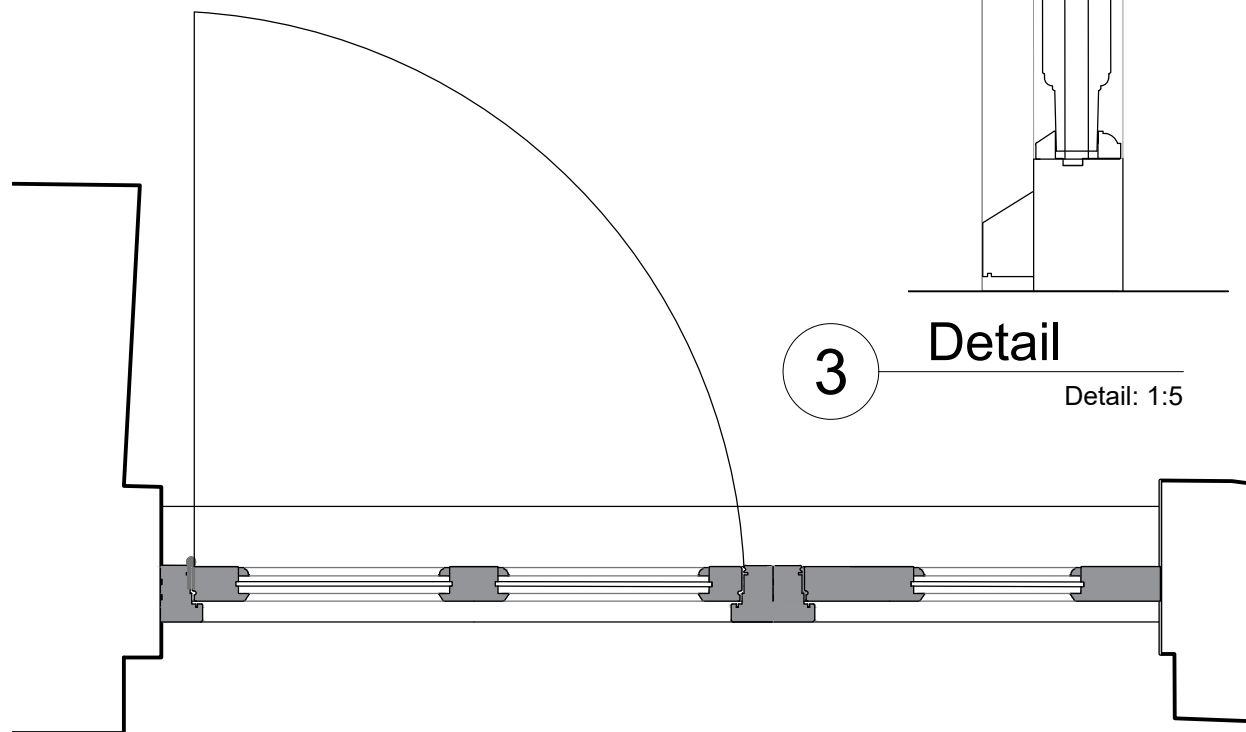


1 Proposed Elevation
Scale: 1:10

timber door and frame painted finish
toughened safety glass
recessed and moulded panel

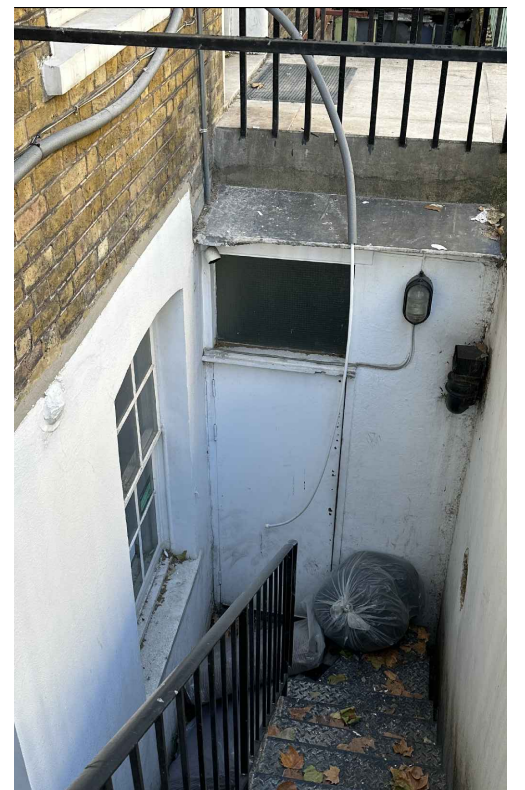


5 Precedent Image in Fitzroy Square
Detail: nts



2 Plan View
Scale: 1:10

3 Detail
Detail: 1:5



4 Existing photo
Detail: nts

All dimensions to be checked on site prior to construction or manufacture. Do not scale from this drawing. Refer also to written specification of works where applicable. Any discrepancies to be verified with Architects prior to commencement of works.

This drawing is the property of DRY Architects Limited. They reserve copyright, and the drawing issued on the condition that it is not retained by any unauthorised person. It may not be reproduced or disclosed, either wholly or in part without written consent from DRY Architects Limited.

REVISION:	DESCRIPTION:	DATE:
P1	PLANNING SUBMISSION	30/09/2022
P2	AMENDMENTS TO DESIGN BASED ON PLANNERS COMMENT	13.02.23

PLANNING

DRY ARCHITECTS

PROJECT: 41 FITZROY STREET HOTEL,
LONDON, W1T 6DZ
CLIENT: CMT DESIGN AND CONSTRUCTION LTD
DRAWING: BASEMENT GLAZED DOOR

DATE: SEPT 2022 SCALE: 1:10
DWG. NO: 5320-036 REVISION: P2

CHARTERED ARCHITECTS
ADDRESS: 48 Charlotte Street, London, W1T2NS
TEL: 0207 221 6161 FAX: 0207 243 6134
EMAIL: info@dryarchitects.co.uk WEB: www.dryarchitects.co.uk