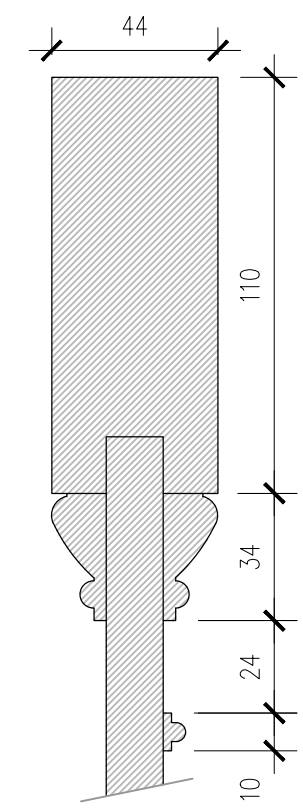
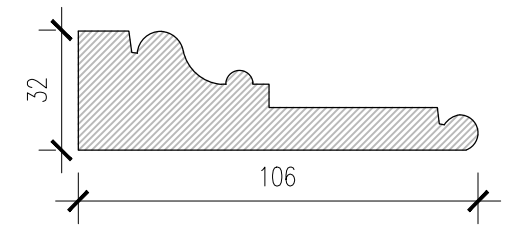


TYPICAL DOOR DETAIL 02 (FD30)
 HIERARCHY 2
 REGENCY PERIOD, FOUR PANEL DOOR
 SCALE - 1:10



DOOR TYPE 02 PROFILE DETAIL
 HIERARCHY 2
 REGENCY FOUR PANEL DOOR
 SCALE - 1:2

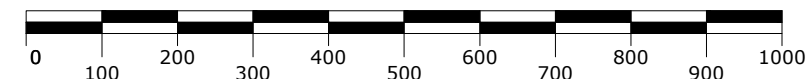


DOOR TYPE 02 ARCHITRAVE DETAIL
 HIERARCHY 2
 REGENCY PERIOD
 SCALE - 1:2

DOOR TYPE 02 SCHEDULE		
FLOOR	DOOR NUMBER	FIRE RATED
HINGED DOORS		
SECOND FLOOR	D.02.02	N/A
	D.02.03	FD30
	D.02.07	N/A
	D.02.08	N/A
POCKET DOORS		
	D.02.04	N/A
	D.02.05	N/A
	D.02.06 (double)	N/A

Note

- Pocket doors and hinged doors will have different mechanism but same door leaf.



SCALE 1:10

BB PARTNERSHIP
 CHARTERED ARCHITECTS
 Studios 33-34, 10 Hornsey St, London. N7 8EL
 Tel 020 7336 8555 - e-mail - architect@bbpartnership.co.uk

© 2022 BB PARTNERSHIP LIMITED

Project
 25 Chester Terrace
 London, NW1 4ND

Drawing
 Proposed
 Door Type 02 Details

ALL RIGHTS RESERVED

Planning & LBC

Rev	Notes	Date	By

Date	Scale	Drawn
Oct 22	1:10@A3	CS
drwg. no	Rev.	
GHV-441	-	