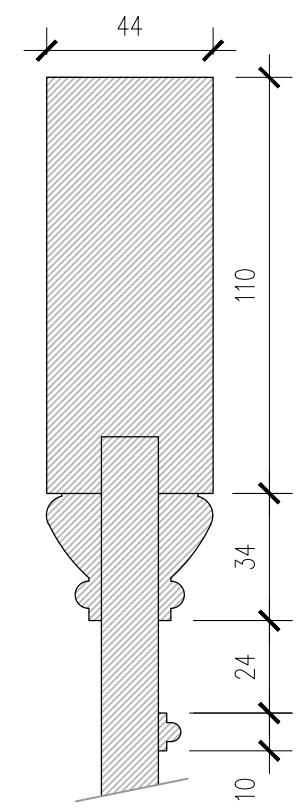
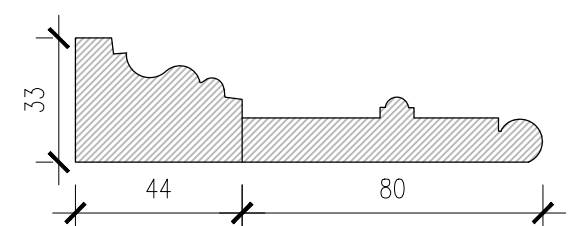


TYPICAL DOOR DETAIL 01
 HIERARCHY 1
 REGENCY PERIOD, FOUR PANEL DOOR
 SCALE - 1:10

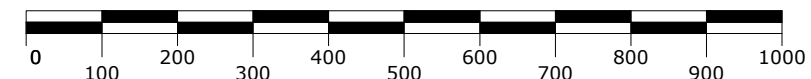


DOOR TYPE 01 PROFILE DETAIL
 HIERARCHY 1
 REGENCY FOUR PANEL DOOR
 SCALE - 1:2



DOOR TYPE 01 ARCHITRAVE DETAIL
 HIERARCHY 1
 REGENCY PERIOD
 SCALE - 1:2

DOOR TYPE 01 SCHEDULE		
FLOOR	DOOR NUMBER	FIRE RATED
GROUND FLOOR	D.00.02	FD30
	D.00.04	FD30
	D.00.05	FD30
FIRST FLOOR	D.01.03	FD30



SCALE 1:10

BB PARTNERSHIP
 CHARTERED ARCHITECTS
 Studios 33-34, 10 Hornsey St, London. N7 8EL
 Tel 020 7336 8555 - e-mail - architect@bbpartnership.co.uk

© 2022 BB PARTNERSHIP LIMITED

Project
 25 Chester Terrace
 London, NW1 4ND
Drawing
 Proposed
 Door Type 01 Details

ALL RIGHTS RESERVED

Planning & LBC

Rev	Notes	Date	By

Date	Scale	Drawn
Oct 22	1:20@A3	CS
drwg. no		Rev.
GHV-440		-