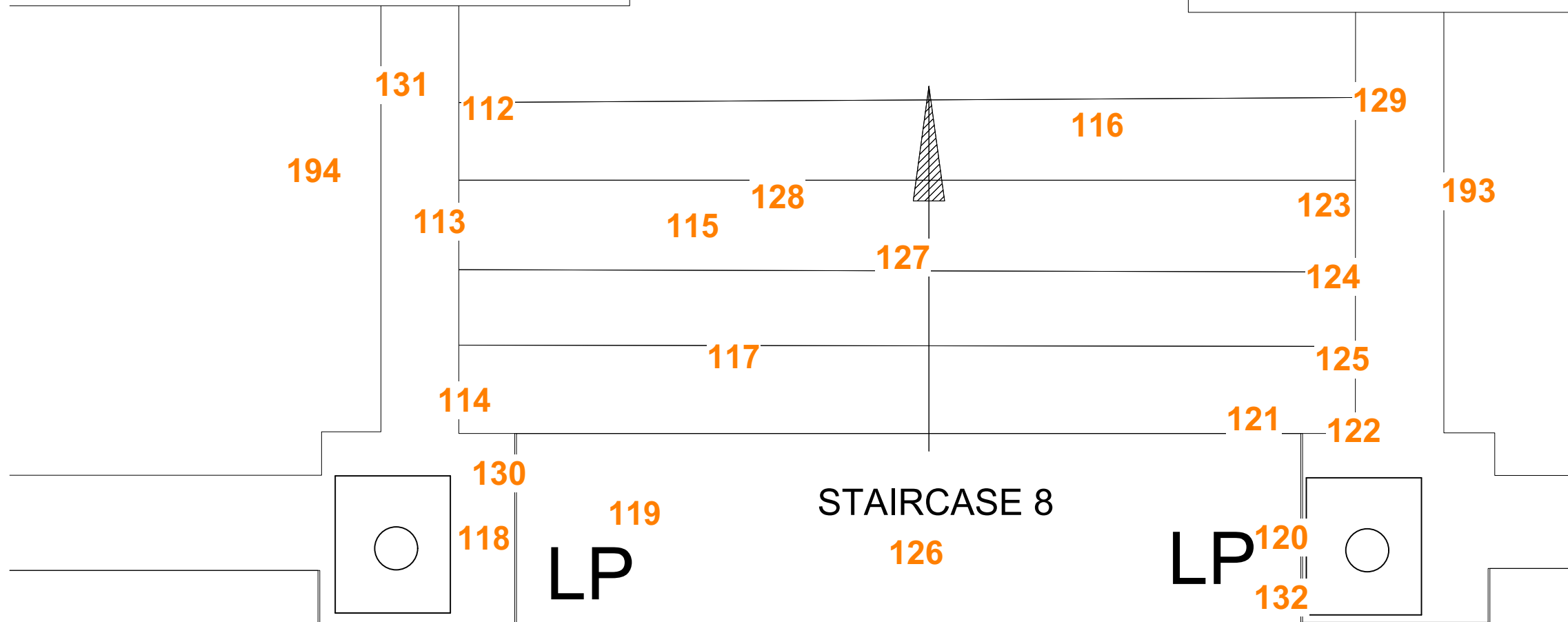
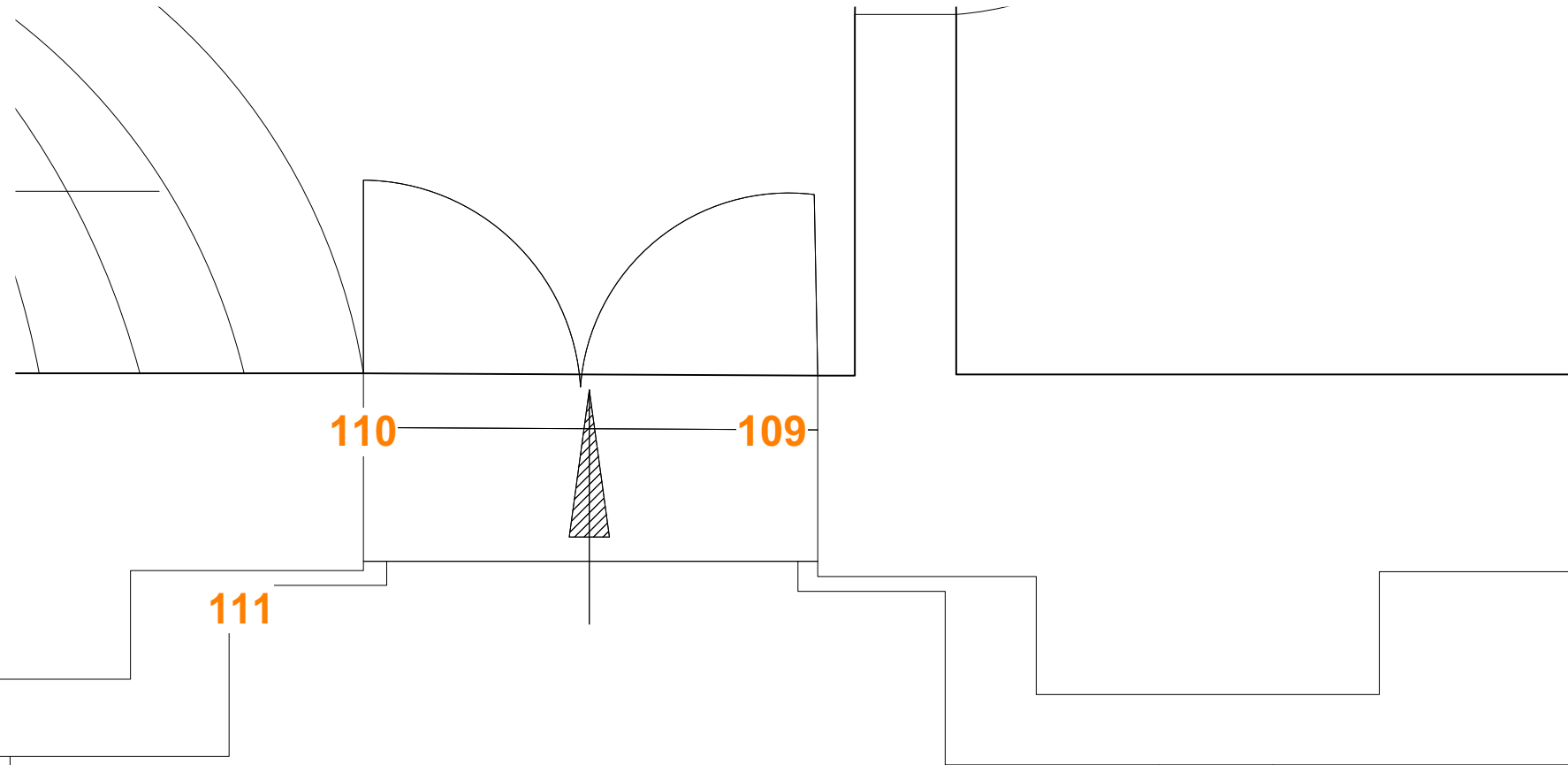
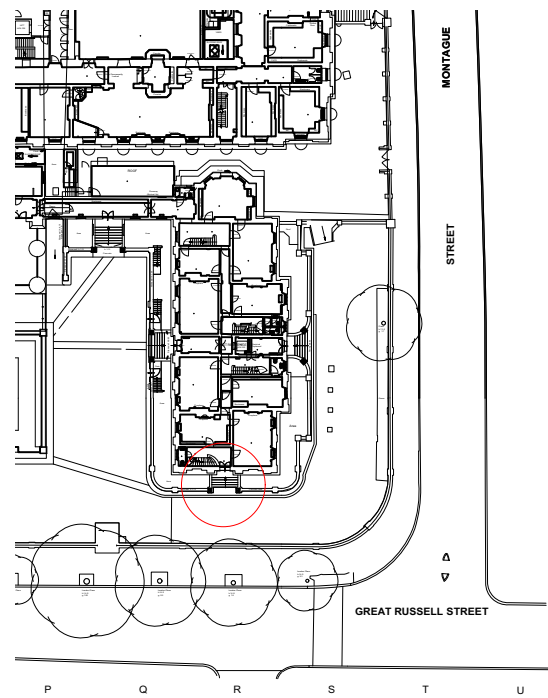


XXX = Refer to Schedule of Works  
649-DJA-SH-A-00001-Schedule of Works



Granite Setts

P01	26/01/2023	JP	Listed Building Consent
No	Date	By	Comments
Issued			
Status	Purpose of Issue		
-	LBC		
<b>BRITISH MUSEUM</b>			
BUILDING FABRIC PHASE 6			
<b>Dannatt Johnson Architects</b>			
Unit 1 The Wireworks 77 Great Suffolk Street London SE1 0BU Tel (020) 7357 7100 Email dja@djarchitects.co.uk			
Title			
Ground Floor Level Plan Staircase 8 as Proposed			
Drawing Number			Revision
649-DJA-DR-A-11208			P01
RIBA Stage	DJA Ref	Scale(s)	
4	649	1:20 @ A3	