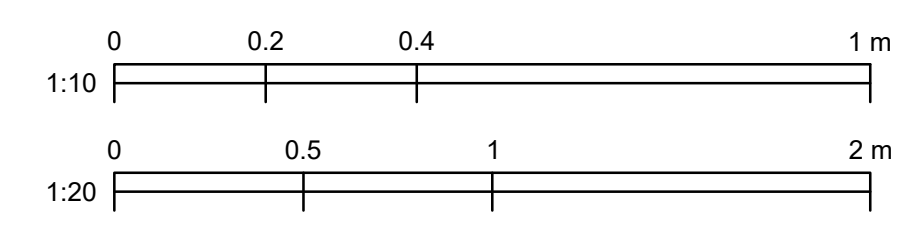
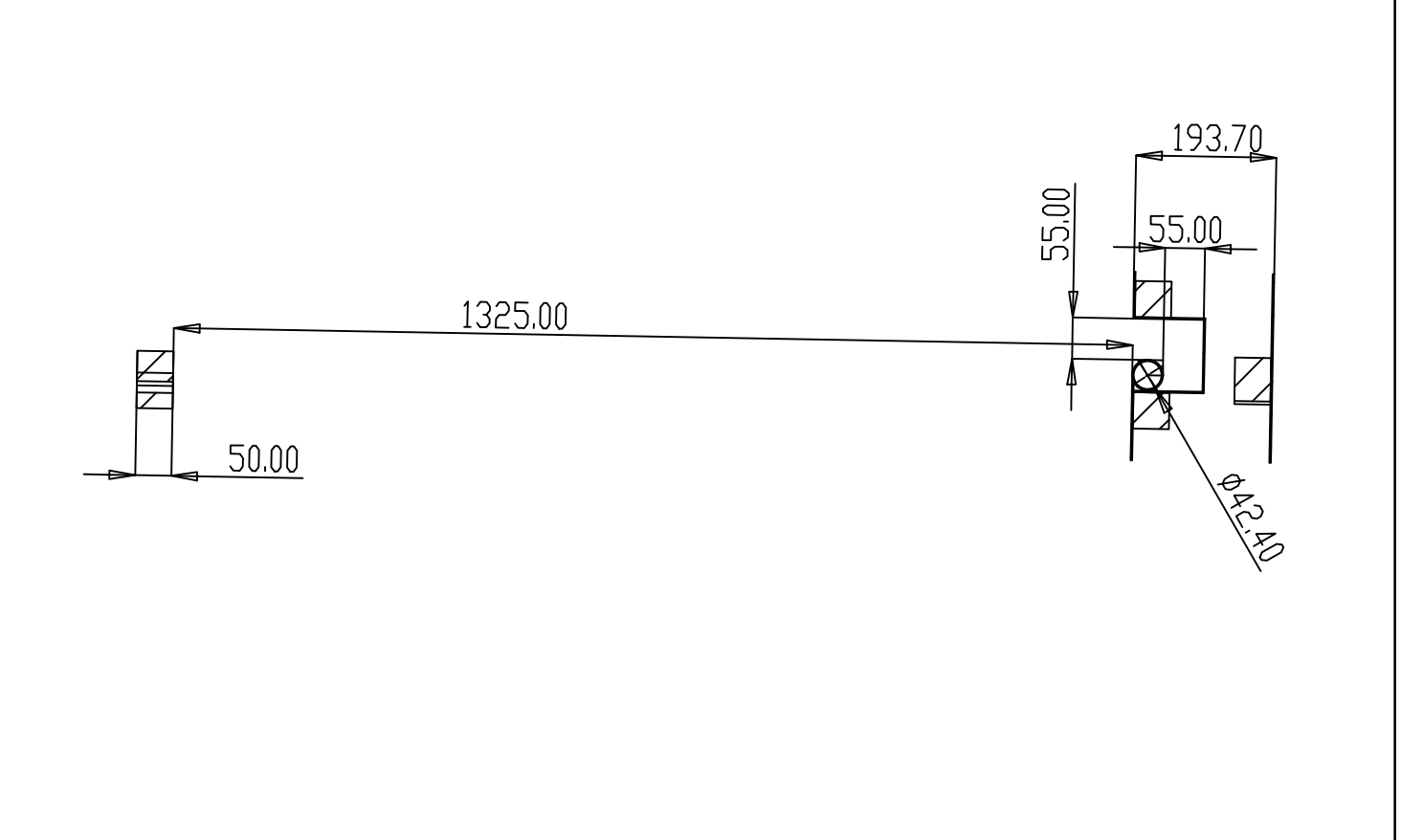
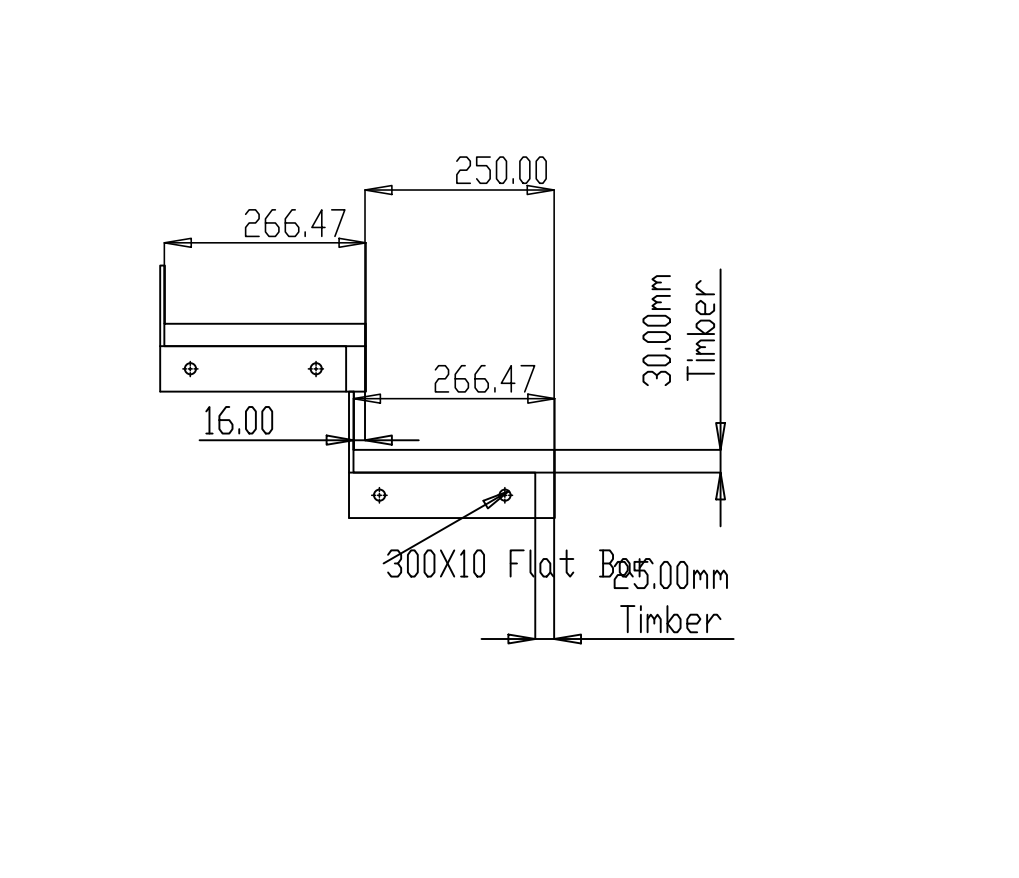
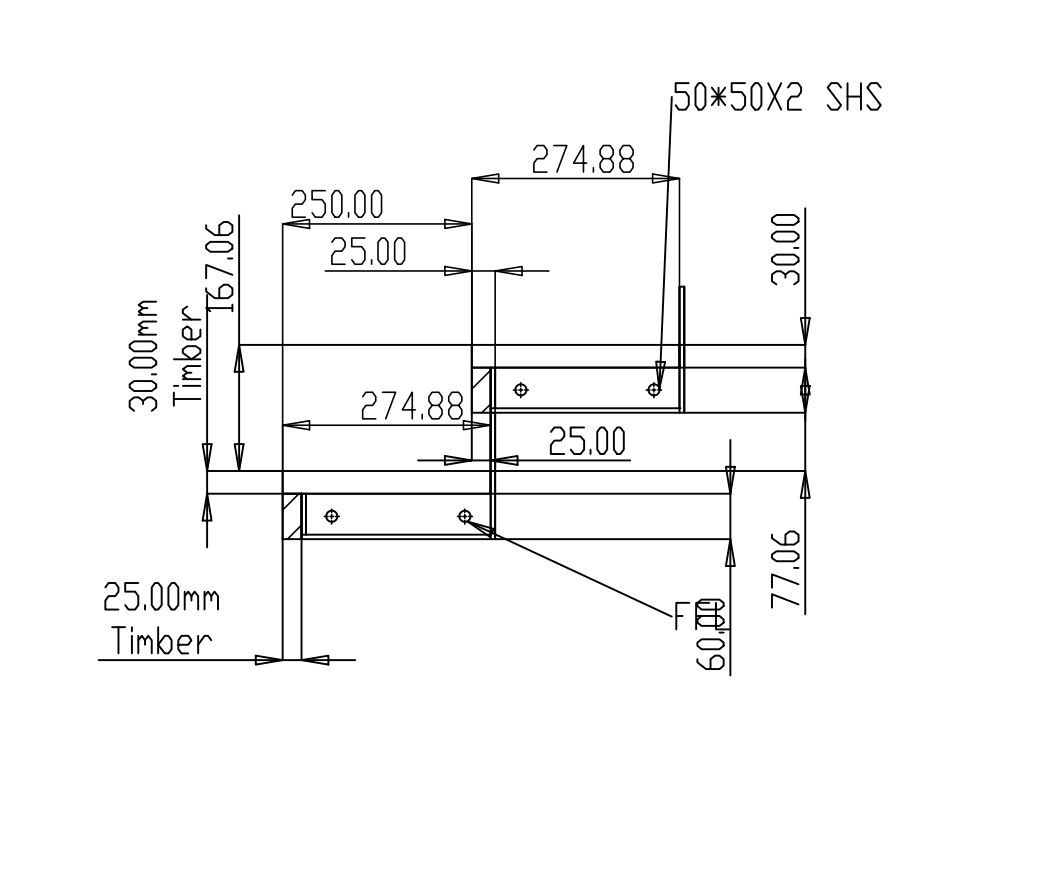
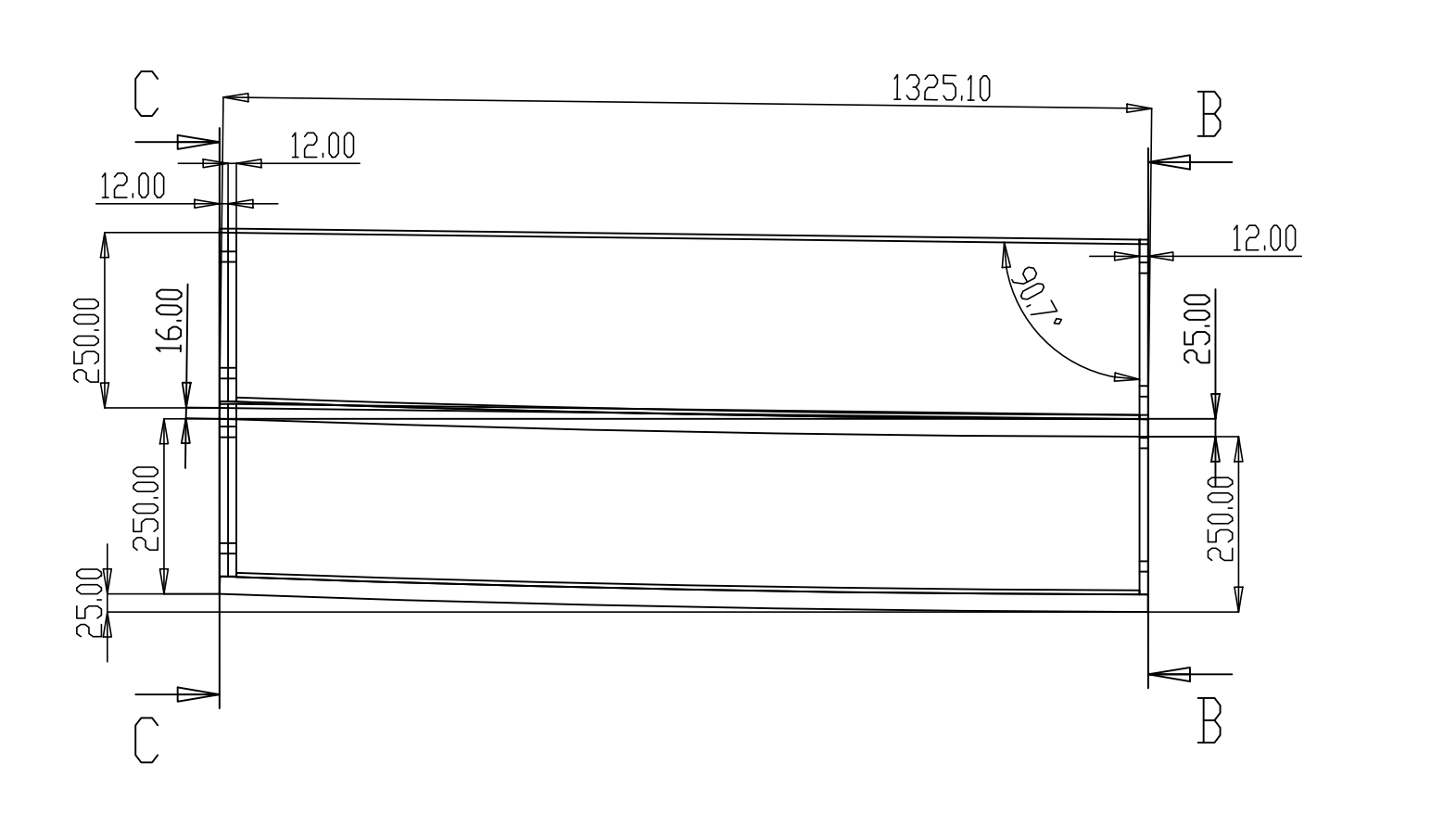


**1** Proposed stair - Plan  
1 : 25

**2** Proposed staircase - Section  
1 : 25



**3** Typical treads - Plan  
1 : 10

**4** Typical treads - Section BB  
1 : 10

**5** Typical treads - Section CC  
1 : 10

**6** Typical handrail - Section DD  
1 : 10

KEY	REV	DATE	DESCRIPTION	NOTES
	01	23/01/2023	INITIAL ISSUE	
	02	21/02/2023	PLANNING ISSUE	

CLIENT: HEALS	NOTE 1. Do not scale form this drawing. 2. All dimensions to be checked on site by the contractor and such dimensions to be their responsibility. 3. Report all drawings errors, omissions, and discrepancies to the architect. 4. This document may be issued in an uncontrolled CAD format to enable others to use it as background information to make alterations and/or additions. In that instance the file will be accompanied by a PDF version. It is for those making such alterations and additions to ensure that they make use of current background information. WRA Ltd Accepts no liability for any such alterations or additions to the background information or arising out of changes to background information which occur prior to alterations or additions being made.
PROJECT MANAGER & QS: COLLIER	
M.E.P ENGINEER: -	
STRUCTURAL ENGINEER: -	
FIRE ENGINEER: -	
PLANNING CONSULTANT: TURLEY	
CDM CONSULTANT: -	LOCATION THE HEAL'S BUILDING 196 TOTTENHAM COURT LONDON W1T 7LQ
APPROVED INSPECTOR: -	

PROJECT NAME: The Heals Building - Tenant Works - New Staircase			
DRAWING TITLE: Proposed Stair - Detail Plans & Sections			
DRAWN: JJ	CHECKED: JJ	SCALE @A1	STATUS
SE	Varies	PLANNING	
PROJECT NO: 5455	ZONE: -	TYPE: -	SHEET NO: PL_00_400
			REVISION: 02

WHITE RED ARCHITECTS 45 Charlotte Road London EC2A 3PD TEL: 020 7859 4521 whitered.co.uk			
PROJECT NAME: The Heals Building - Tenant Works - New Staircase			
DRAWING TITLE: Proposed Stair - Detail Plans & Sections			
DRAWN: JJ	CHECKED: JJ	SCALE @A1	STATUS
SE	Varies	PLANNING	
PROJECT NO: 5455	ZONE: -	TYPE: -	SHEET NO: PL_00_400
			REVISION: 02

NOT FOR CONSTRUCTION