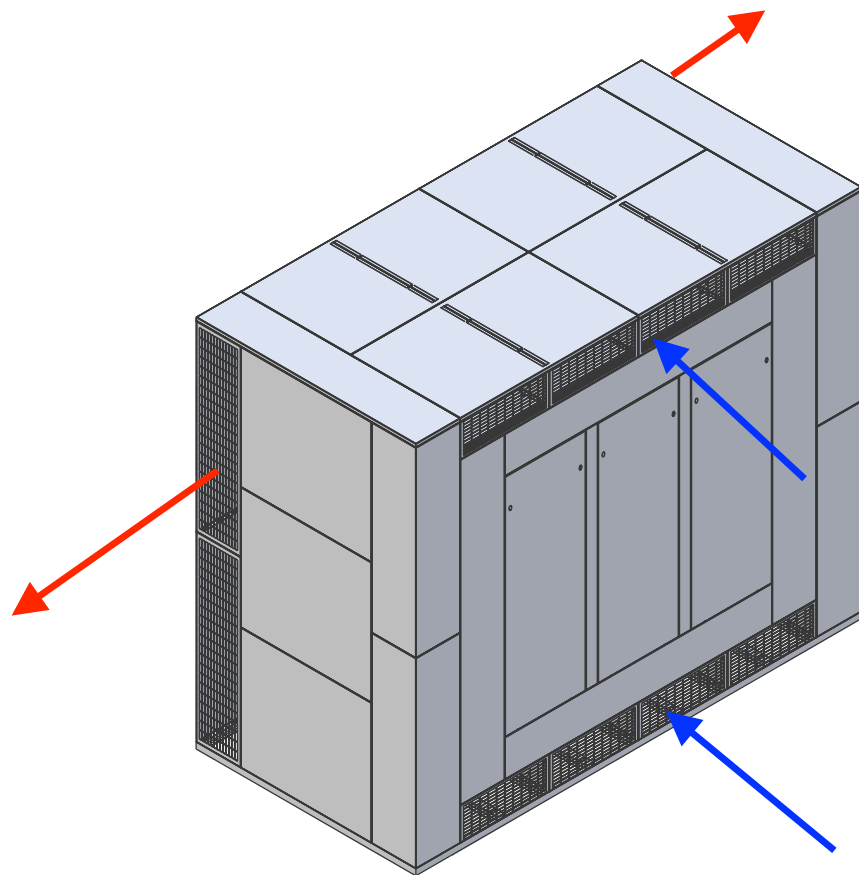
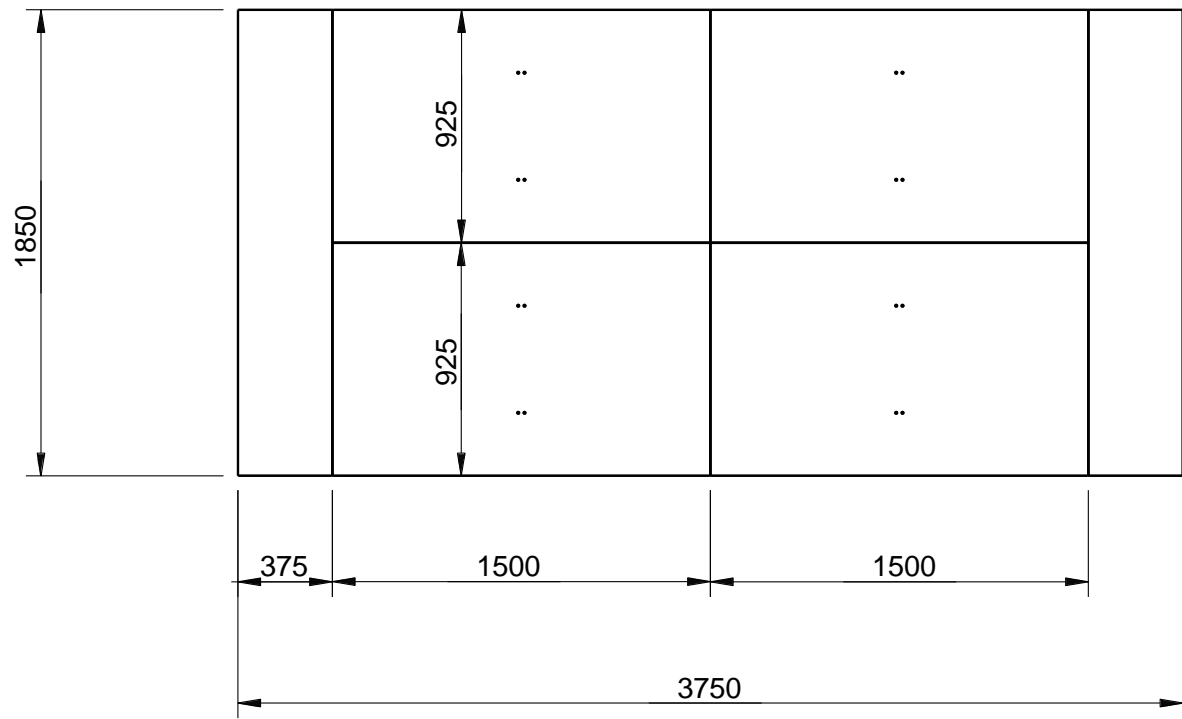
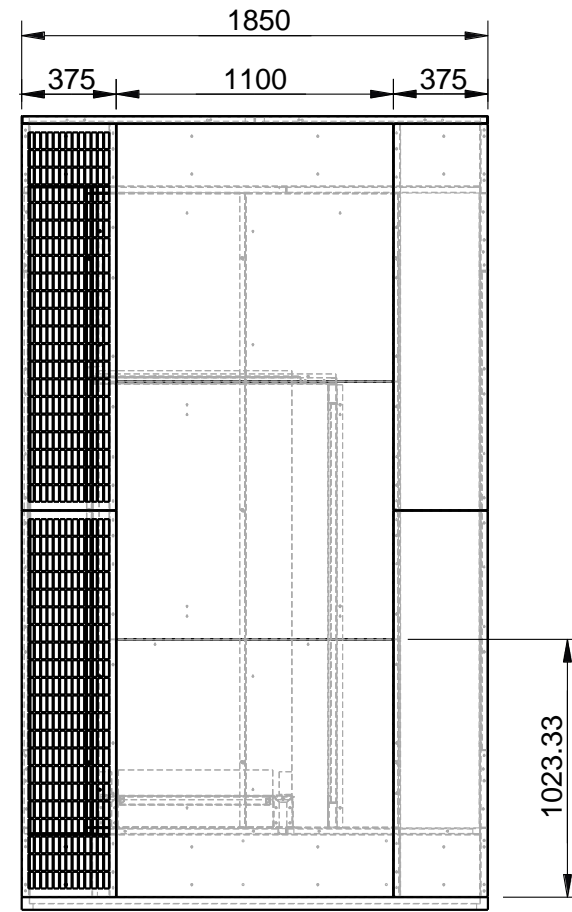
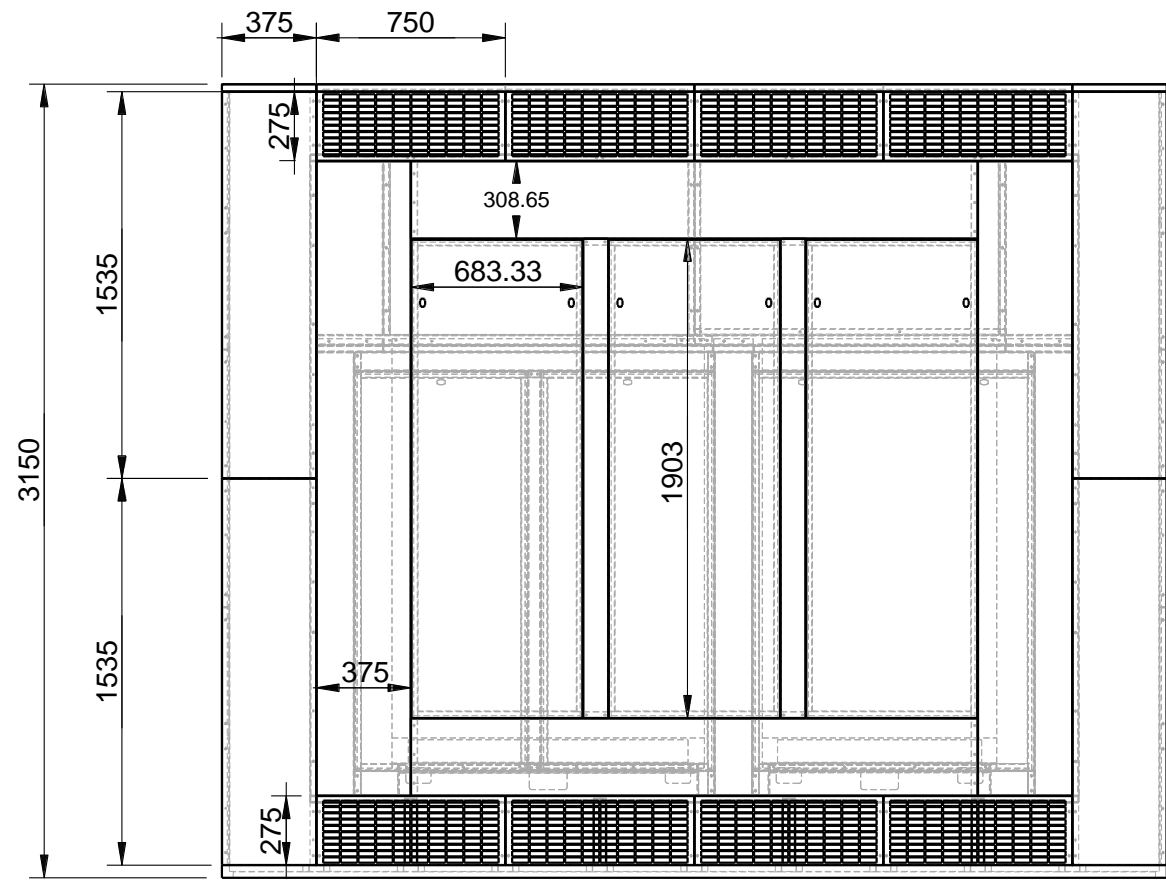


RevNo	Revision note	Date	Signature	Checked



Drg Name:EMS5-3750x1850x3150

Scale 1:30	Ac Unit Type:	Edition	Sheet 1 OF 1
---------------	---------------	---------	-----------------