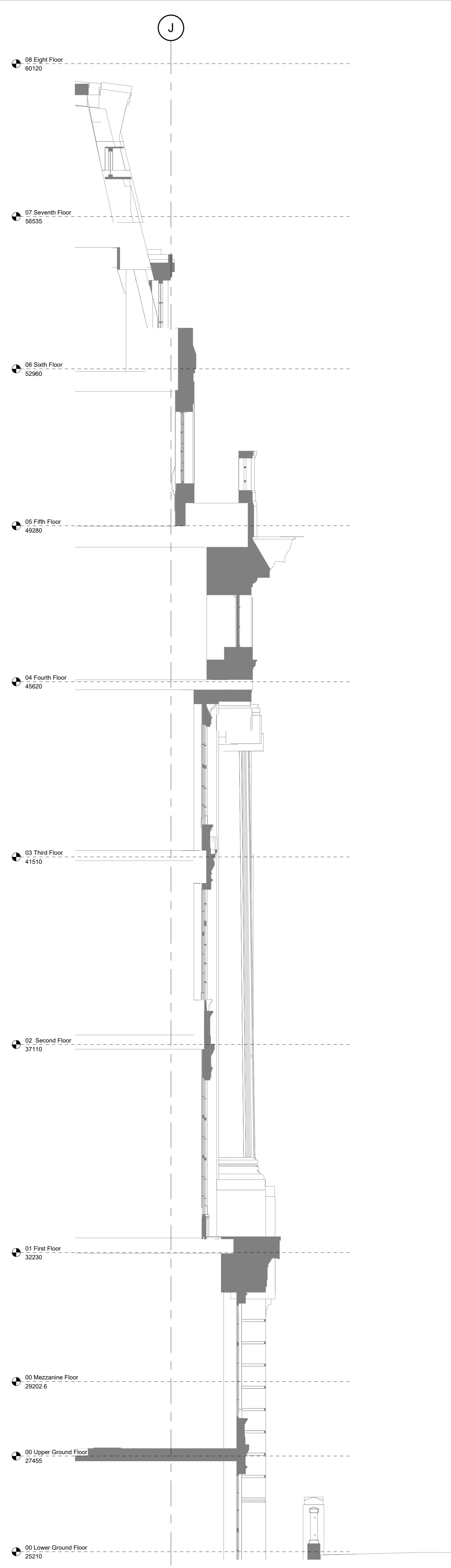
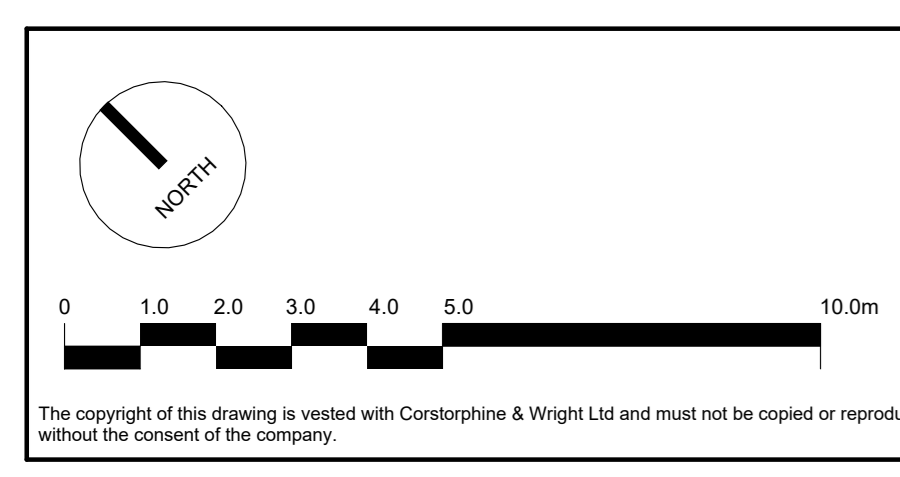
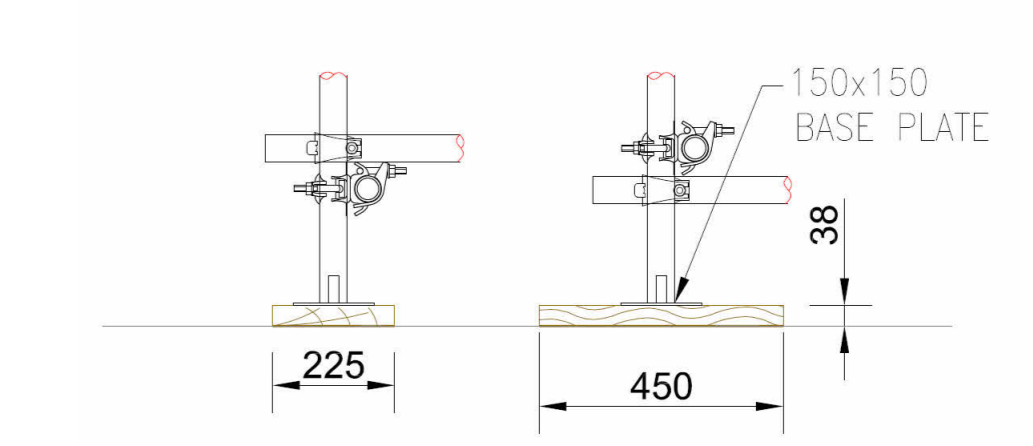
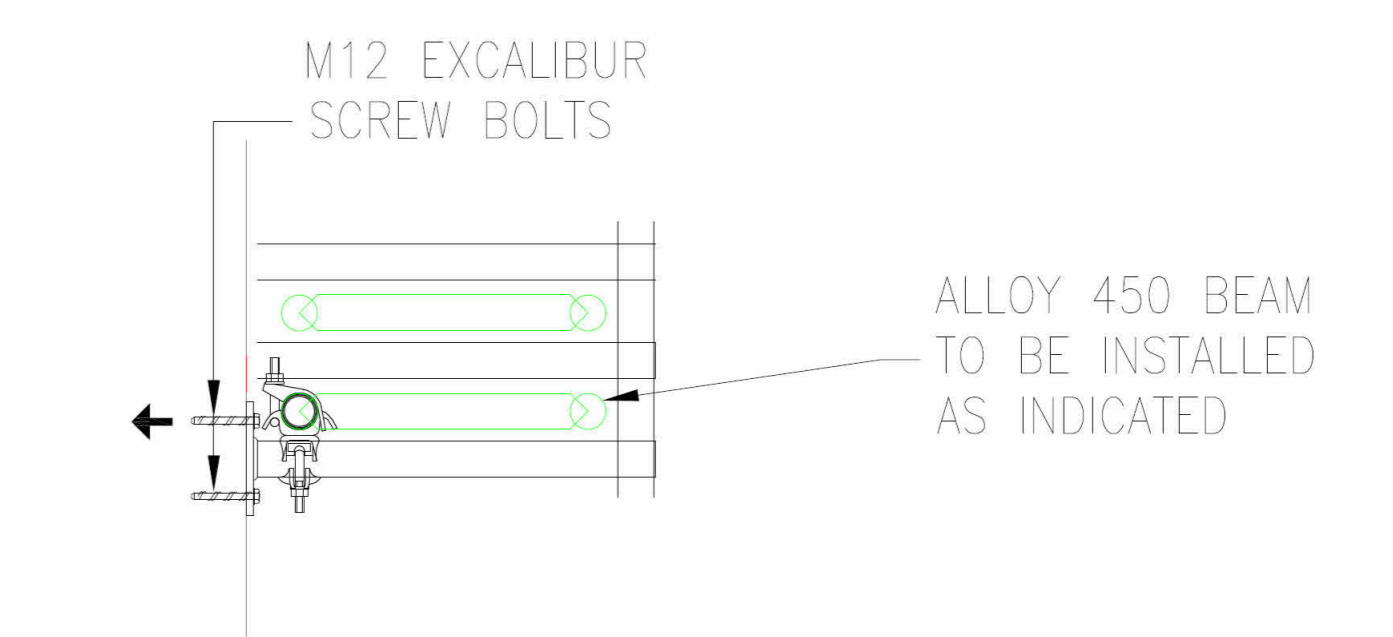
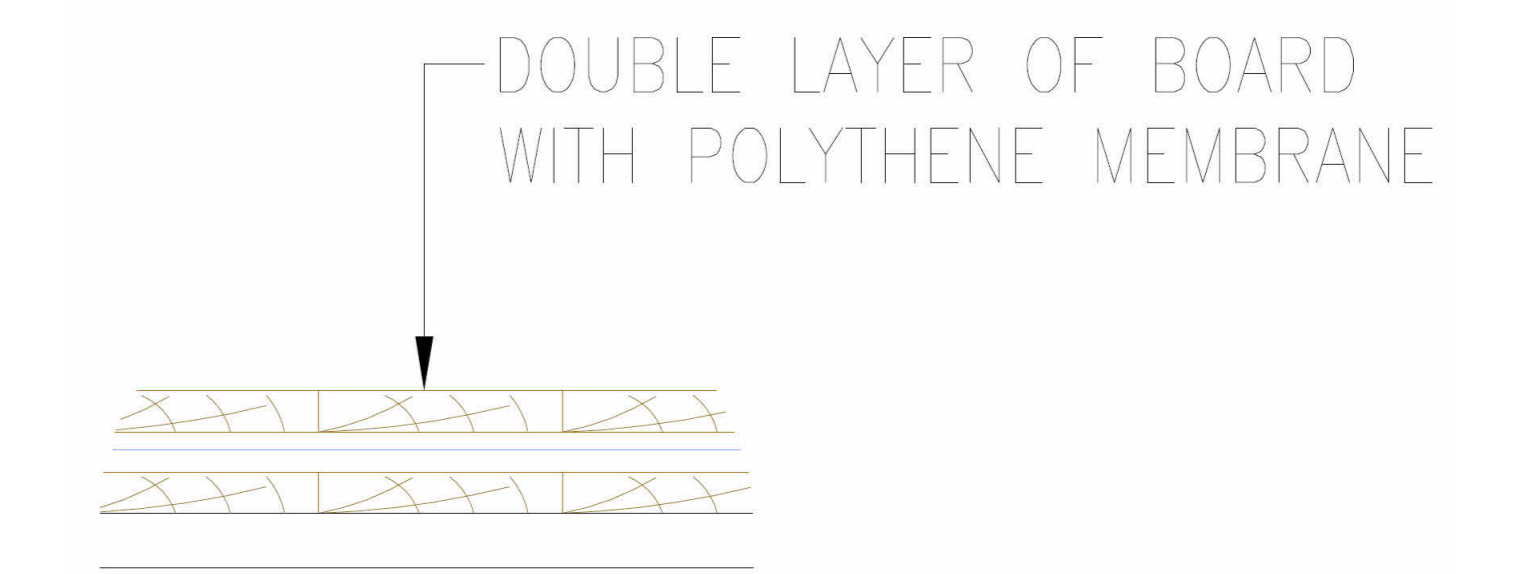
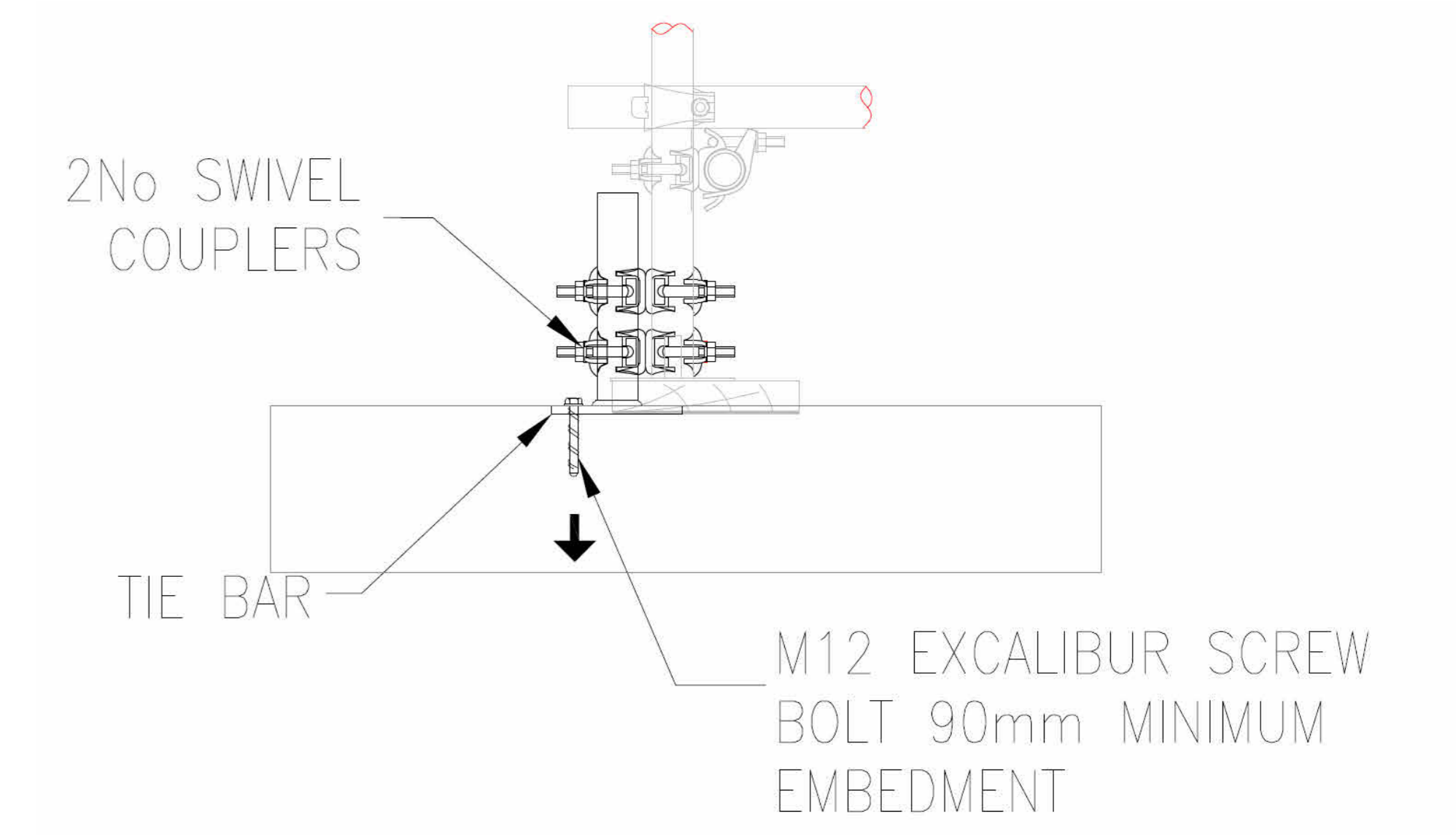


A-A Proposed - Section A-A  
1:50



1 Existing - Section A-A  
1:50



GENERAL LEGEND

- Area Outside of Application
- Area of Application
- Windows to be Removed

04/01/2023 DL ML  
19/12/2022 DL ML  
Date Description

Client: Oxford Victoria House Ltd.

Project: 21593 - Victoria House

Drawing Title: Section - Hoist - Proposed & Existing

Drawing Status: PLANNING

London Studio  
One Market Street, London, W1T 3JA  
020 7463 0200  
corstorphinewright.com

Drawing No: 21593-CWA-B1-09-DR-A-0459

Revision: P-01

Drawn	Checked	Paper Size	Scale	Date
DL	ML	A0	As indicated	04/01/2023