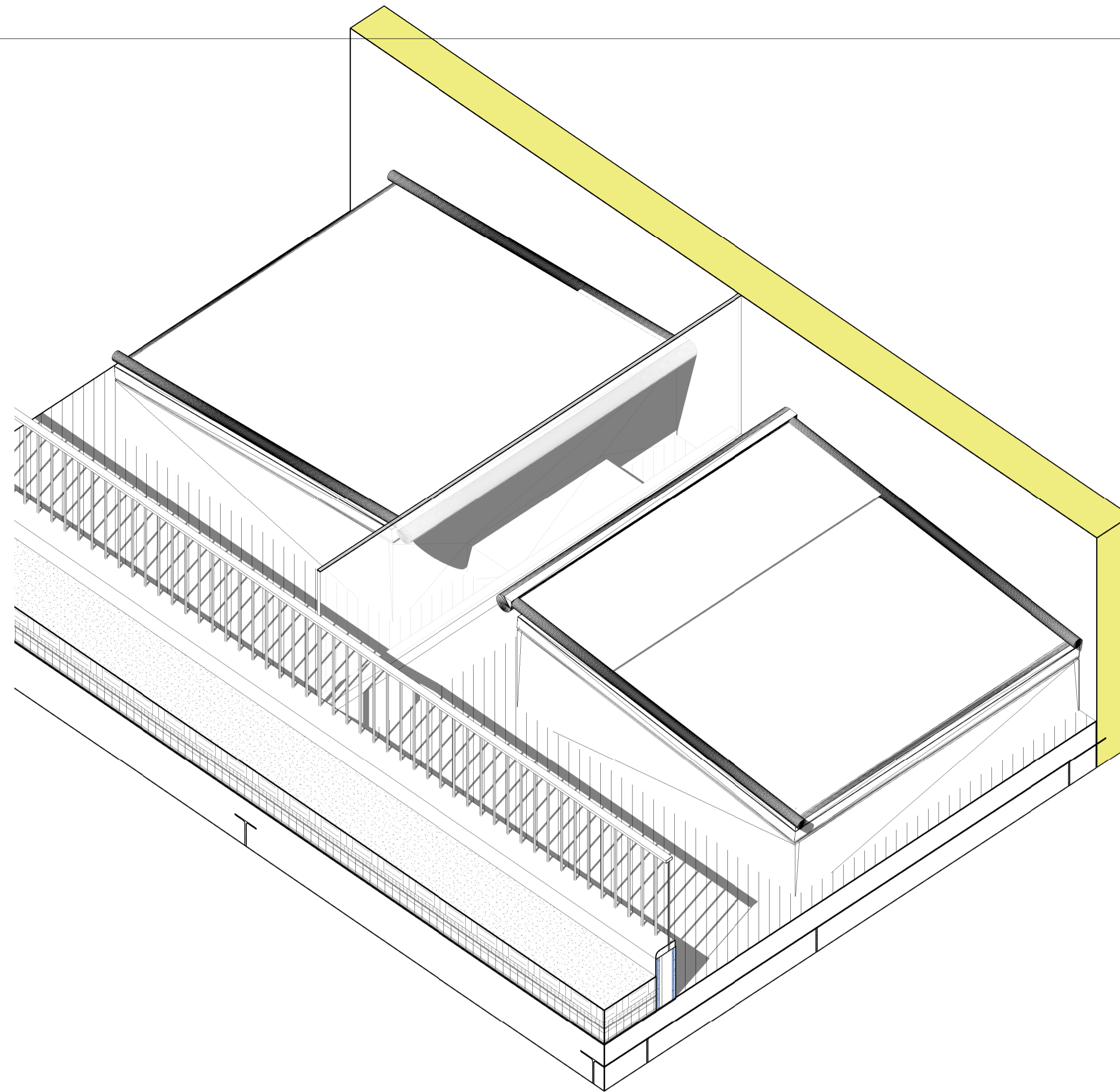
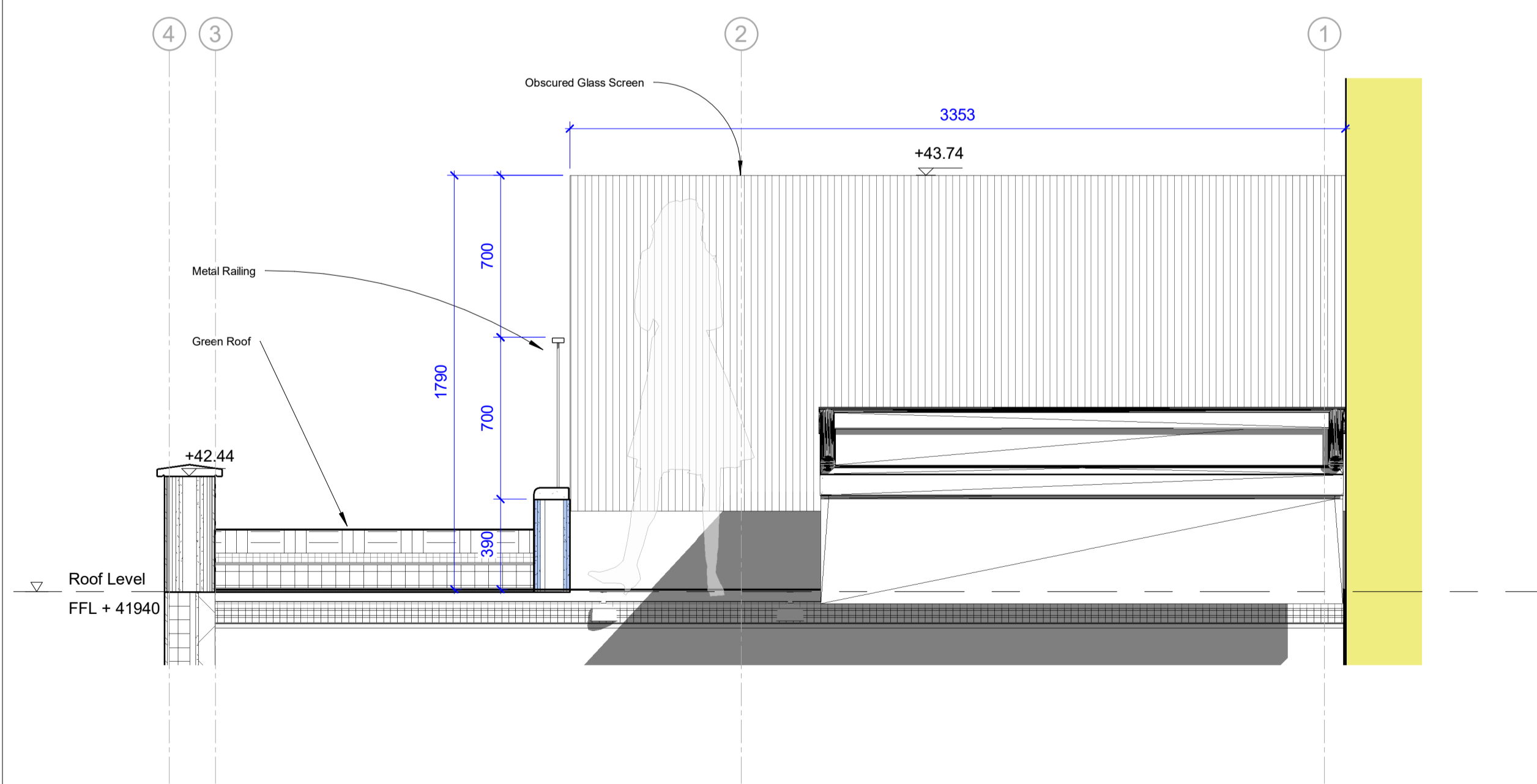




1 Roof Screen - Plan
1 : 20



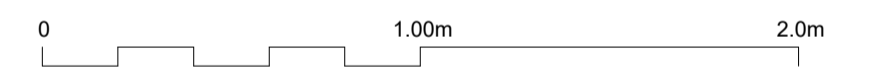
3 Roof Screen - 3d



2 Roof Screen - Elevation
1 : 20

Note: Revision clouds colours
 ○ Denotes 'changed / Revised' information
 ○ Denotes 'On hold / In abeyance' information

PRINT IN COLOUR



Project Stage
[3] Spatial Design

Client
Elleric LTD

Project
18STU

Title
Roof Screen

REV	DATE	PURPOSE	BY
3-00	30.03.2022	Initial Design	MH
3-01	16.06.2022	Tender Design	MH
3-02	25.08.2022	GA's Update	MH
3-03	06.09.2022	GA's Update	MH
3-04	29.12.2022	Design Coordination	MH

Drawing No.
18STU-6201

Rev.
3-04

Project No. **123**

Scale **1 : 20 @ A1 1 : 40 @ A3**

Drawn **MH** Checked **MH** Date **05/18/22**

Do not scale from this drawing. All dimensions should be checked and confirmed on site before the commencement of work. All discrepancies must be reported. Subcontractors must verify all dimensions on site before making a shop drawing or commencing manufacturing. This drawing is subject to copyright. ©