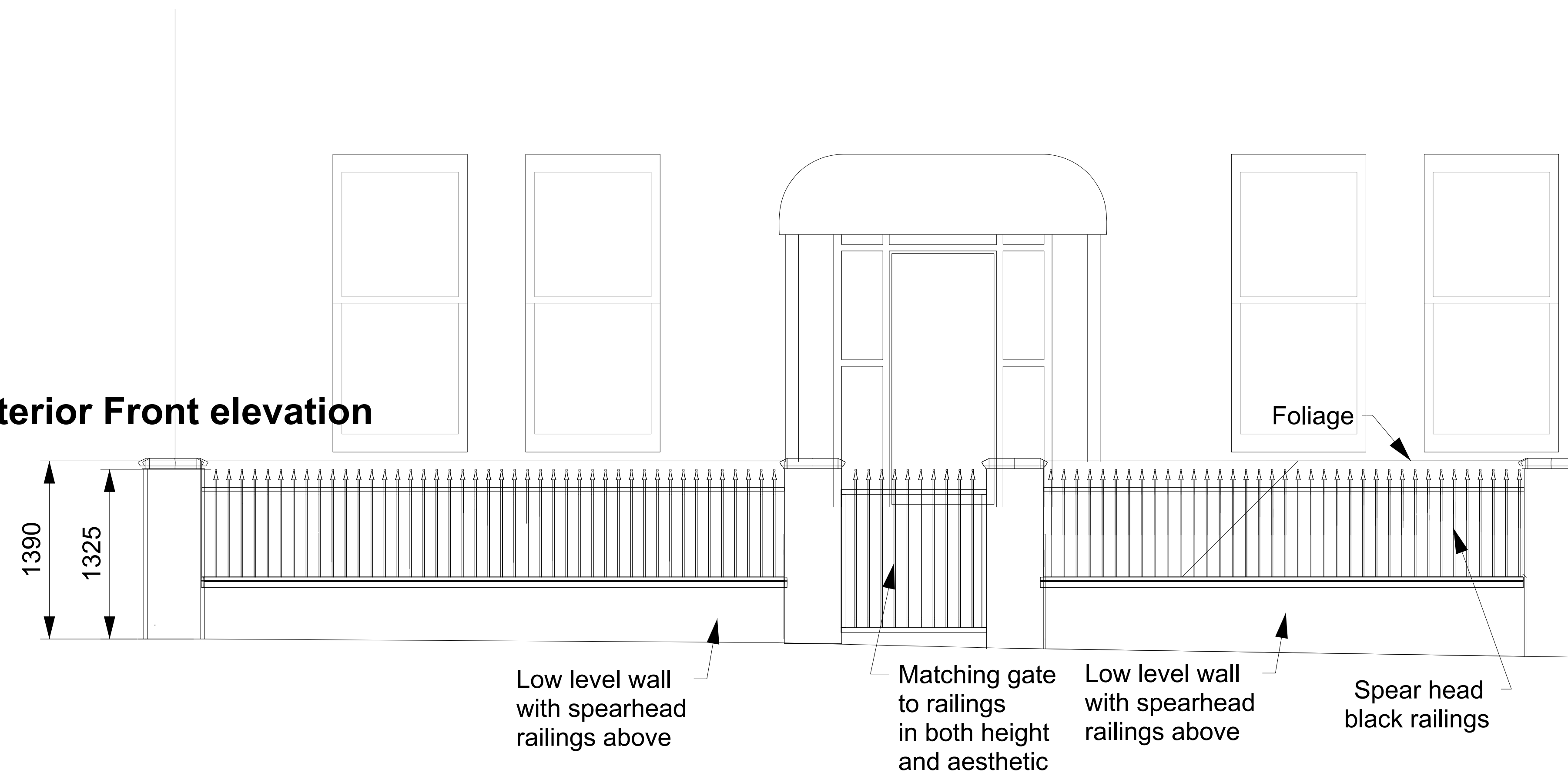
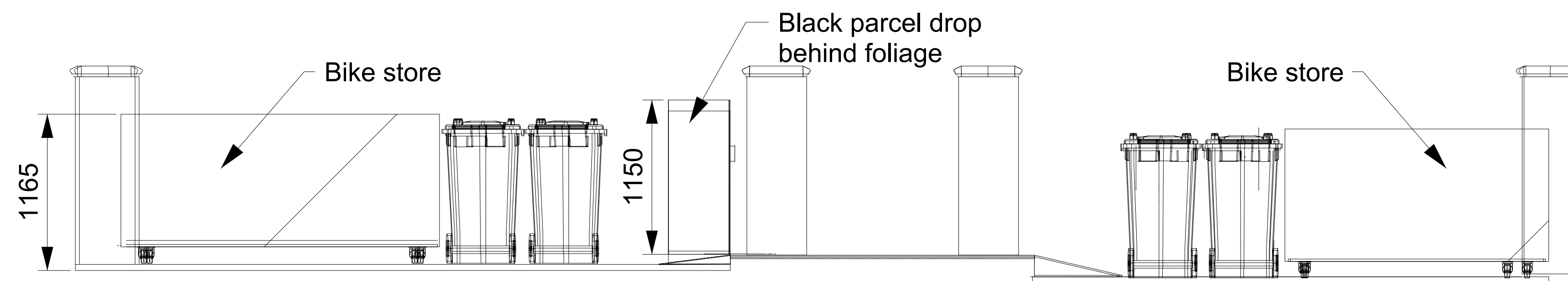




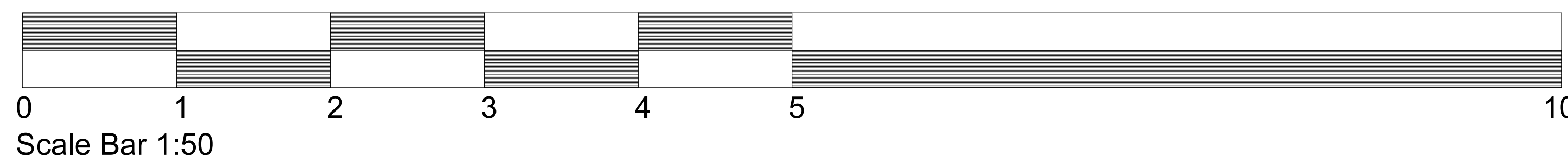
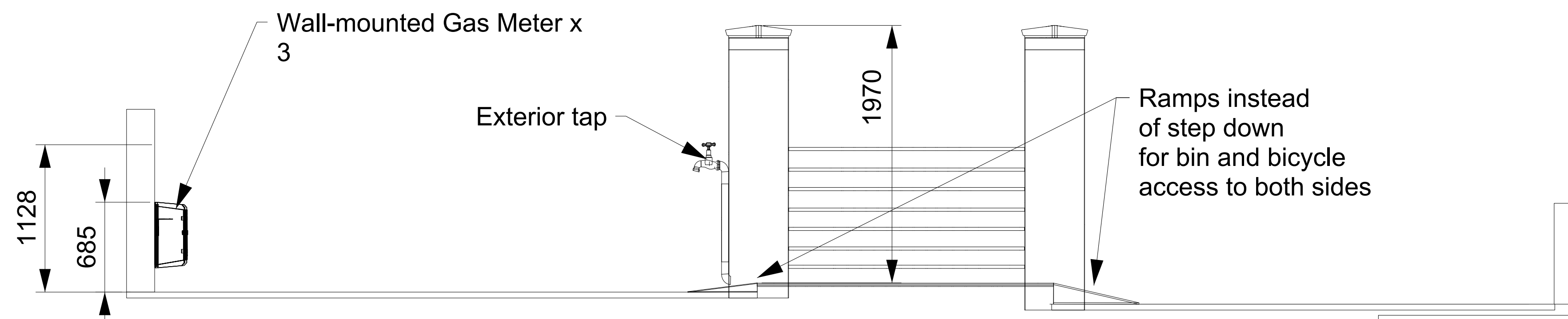
Exterior Front elevation



Exterior Behind Foliage elevation Elevation 1



Exterior in-front of step down elevation Elevation 2



17 Hampstead Hill Gardens

Shared front garden - proposed front elevation

DRAWN BY Sam Patience	DATE 05/02/23	SIZE	FSCM NO.	DWG. NO. HHG-FG-FP-4	REV 1
CHECKED BY	DATE	SCALE DO NOT SCALE	SHEET 4		OF 6