

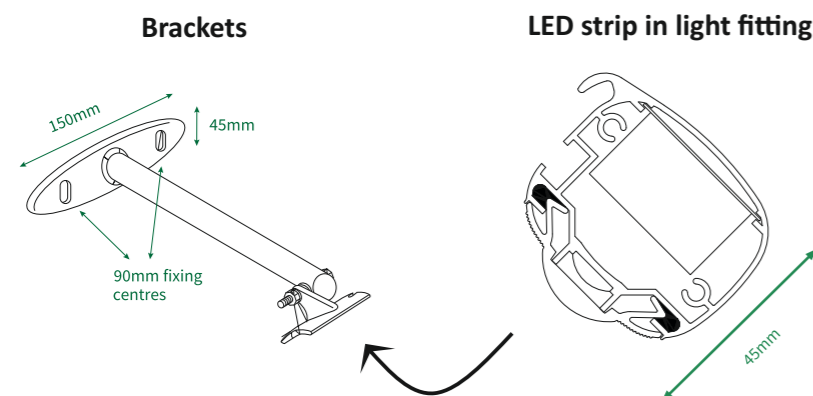
WEST ELEVATION



Item A

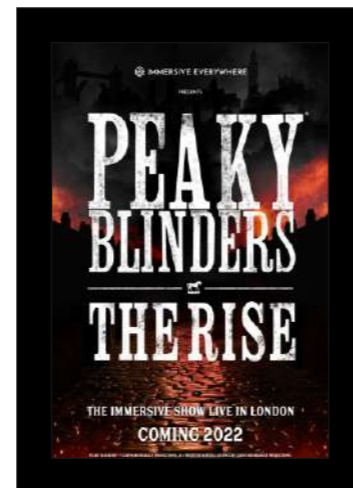
1x 900x450mm sign made in timber board and frame with distress marks added for a more rustic look, painted black with white painted lettering. Sign fixed to mortar with plugs and screws.

Lit by 59x900mm LED strip in light fitting, fixed on brackets. Light directed at sign. LED light luminance is 299cd/m2. More details below.

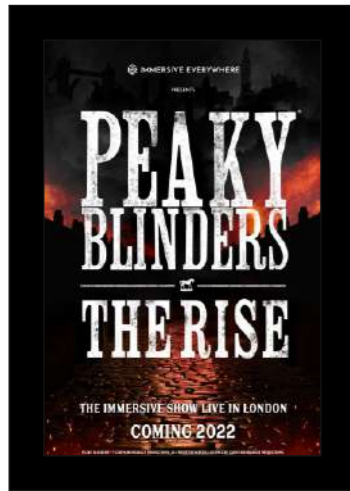


Item B

1x A3 lockable poster display case internally illuminated by LEDs.

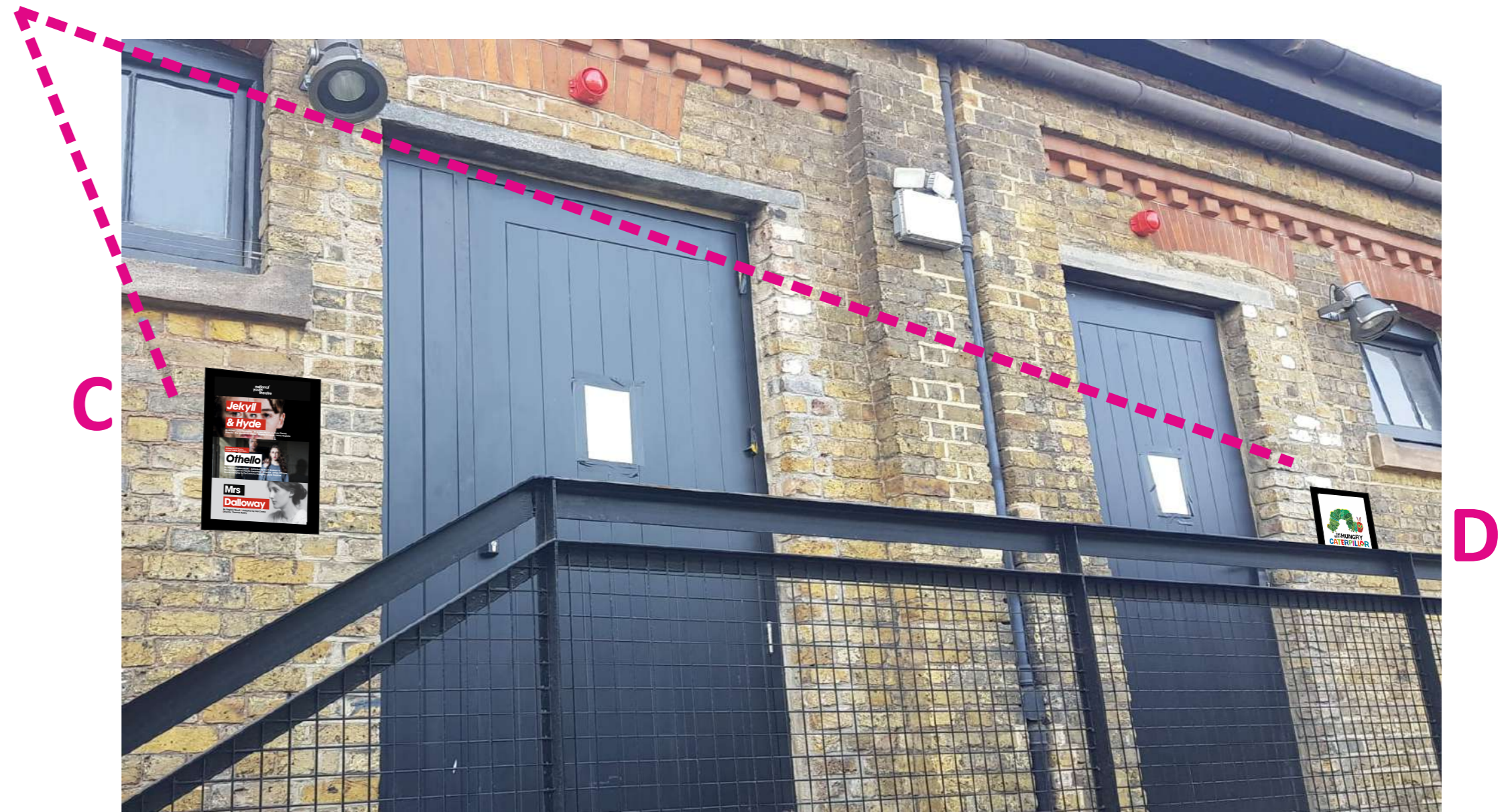


NORTH ELEVATION



Items C & D

2x A3 lockable poster display case internally illuminated by LEDs.
(Shown below with other show posters for visual examples)



LOWER RAMP

Items E & F

2x 1460x600mm sign made of timber board and frame with distress marks added for a rustic look, painted black/grey with white painted lettering. Sign fixed to mortar with plugs and screws.

These signs fitted on opposite inner walls of ramp.



E



F



MID RAMP

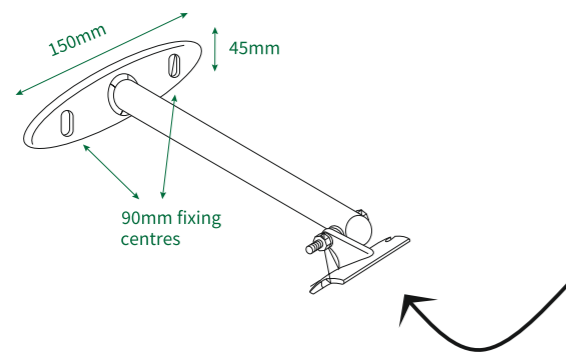
Item G

1x 1640x911mm sign made of timber board and frame with distress marks added for a rustic look, painted black/grey with white painted lettering. Sign fixed to mortar with plugs and screws.

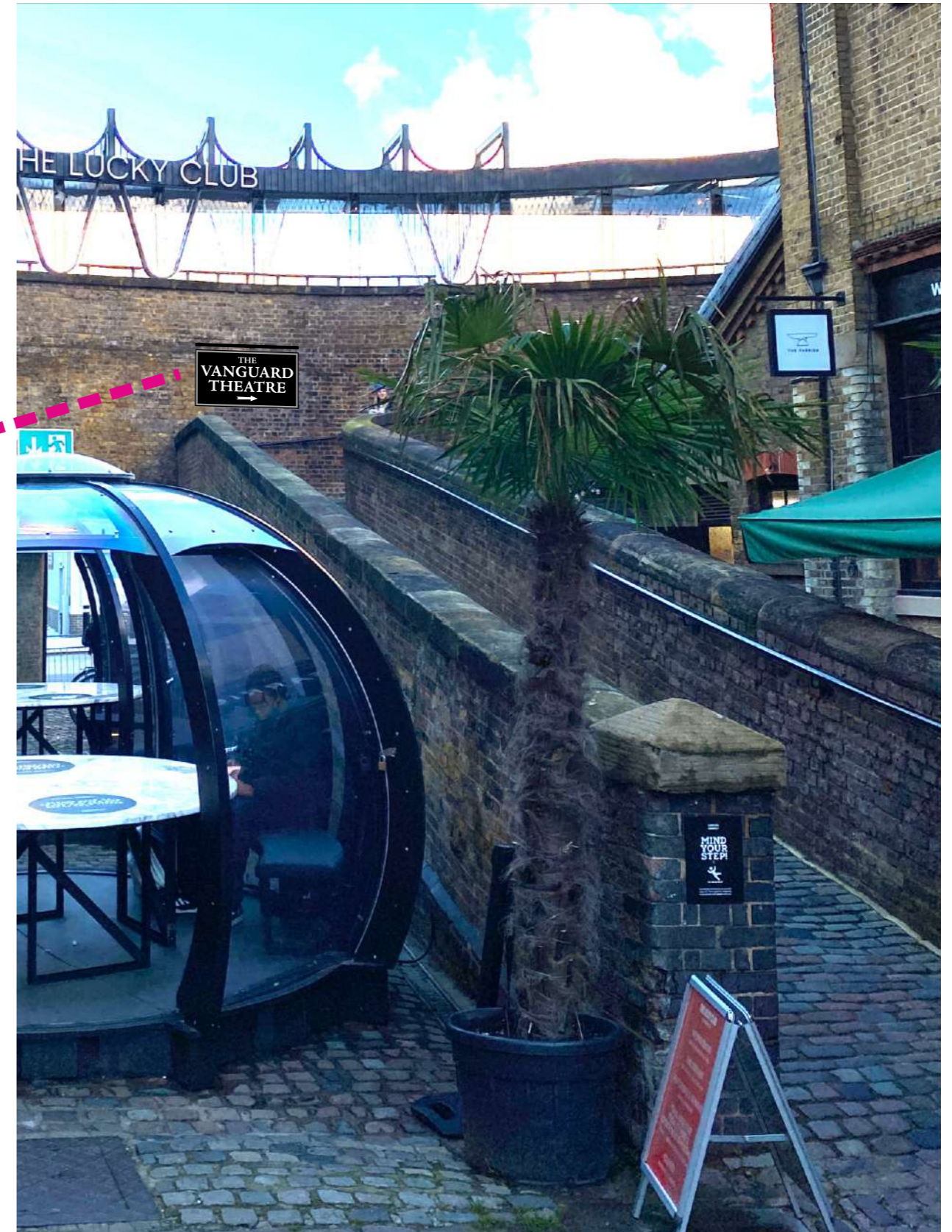
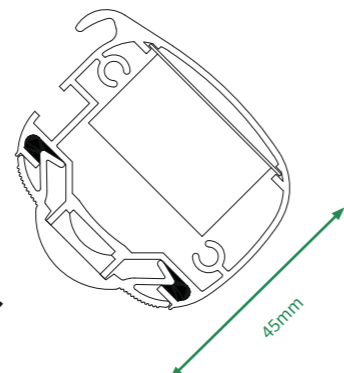
Lit by 59x1640mm LED strip in light fitting, fixed on brackets.
Light directed at sign. LED light luminance is 299cd/m2.
More details at bottom of page.



Brackets



LED strip in light fitting



EAST ELEVATION

Item H

1x 271x2400mm sign made of timber board and frame with distress marks added for a rustic look, painted black/grey with white painted lettering. Sign fixed to mortar with plugs and screws.

Lit by 59x2400mm LED strip in light fitting, fixed on brackets.
Light directed at sign. LED light luminance is 299cd/m2.
More details below.

