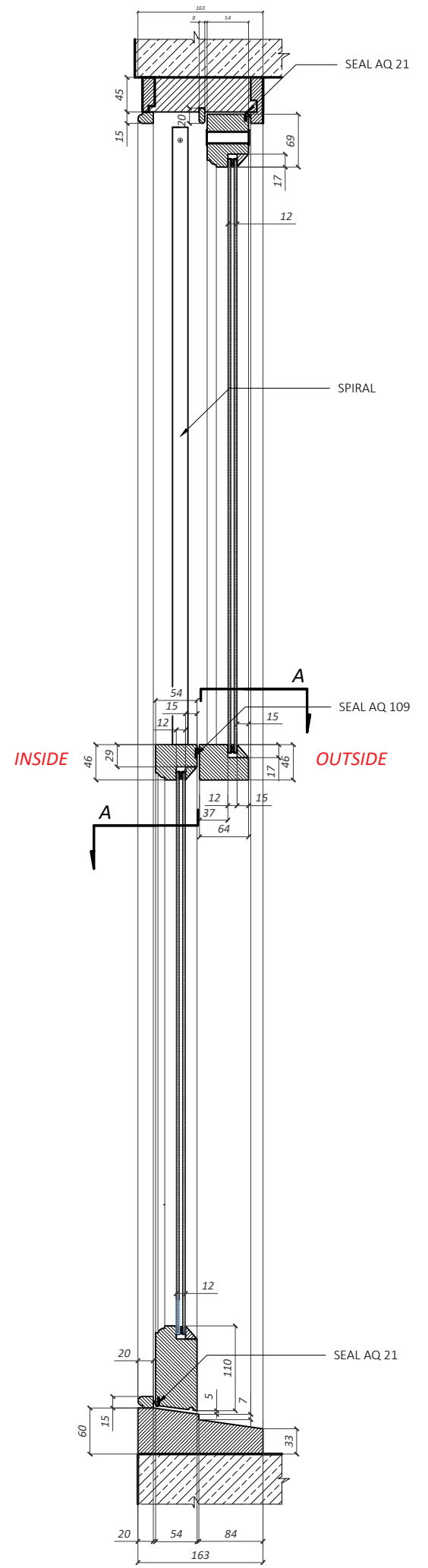
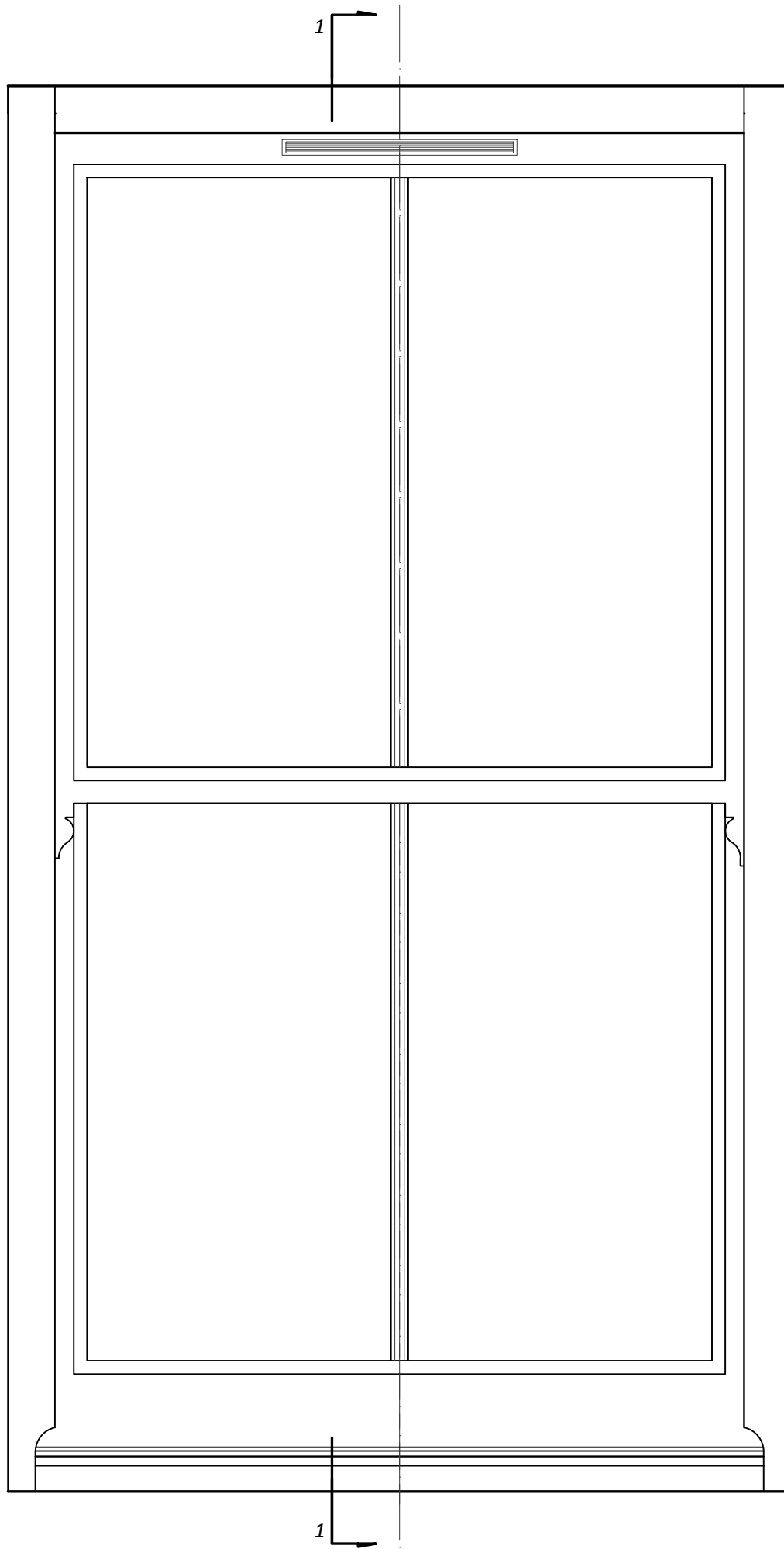
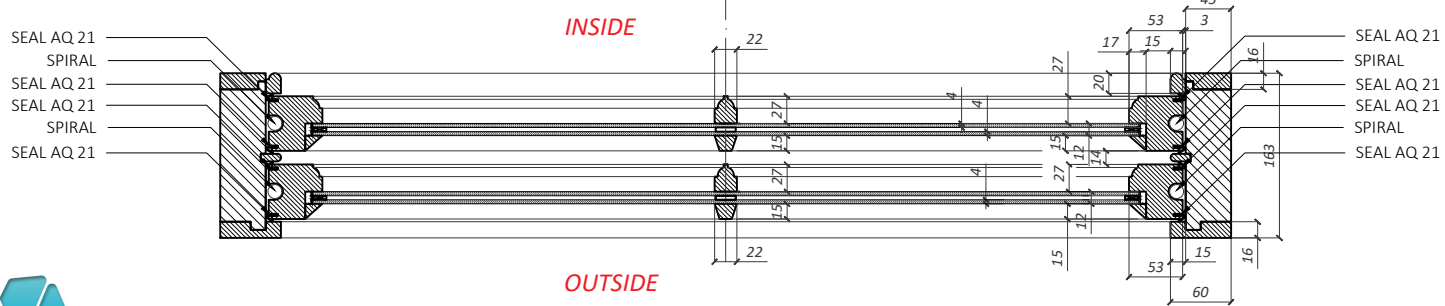


**SECTION 1-1**  
**12 MM DGU**

**OUTSIDE VIEW**



**PLAN B-B**  
**12 MM DGU**



MASHER BROTHERS LTD

Project **TYPICAL SPIRAL BALANCE SASH SLIMLITE WINDOW**