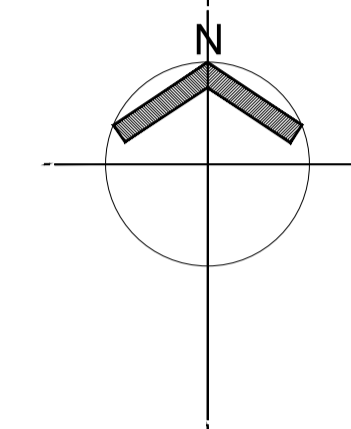
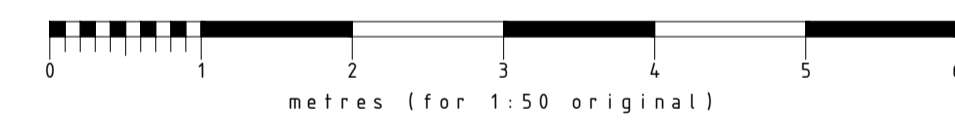


DISCLAIMER

A full and accurate measured survey has not been undertaken by Concorde BGW at this site. This drawing has been produced from information provided by others. Any dimensions indicated are for information only and must be checked on site prior to the commencement of any works



indicates areas of new structure



PROPOSED FIRST FLOOR PLAN
SCALE 1:50 @ A1

PROPOSED NO. ACCOMMODATION = 39

Rev:	Date:	Init:	Note:	© Copyright
------	-------	-------	-------	-------------

Stage: **PLANNING**

Client: **PUB LOVE / EIG**

Project address:
**THE NORTHUMBERLAND ARMS
 141 KINGS'S CROSS RD
 KINGS CROSS
 LONDON
 WC1X 9BJ**

Title: **PROPOSED FIRST FLOOR LAYOUT**

Scale:	1:50	Dwg size:	A1
Drawn by:	SJR	Date:	10.06.19
Drawing no:	3994-02-03	Rev:	A

CONCORDE BGW GROUP

London Unit 114 Screenworks 22 Highbury Grove N5 2EF	Doncaster Palmer Street Hyde Park 22 Highbury Grove Doncaster DN4 5DD	Nottingham Unit 3, The Glade Business Centre Forum Road Nottingham NG5 9RW
------------------------------------------------------------------	--------------------------------------------------------------------------------------	-------------------------------------------------------------------------------------------