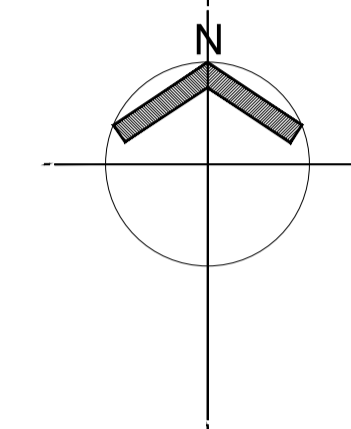
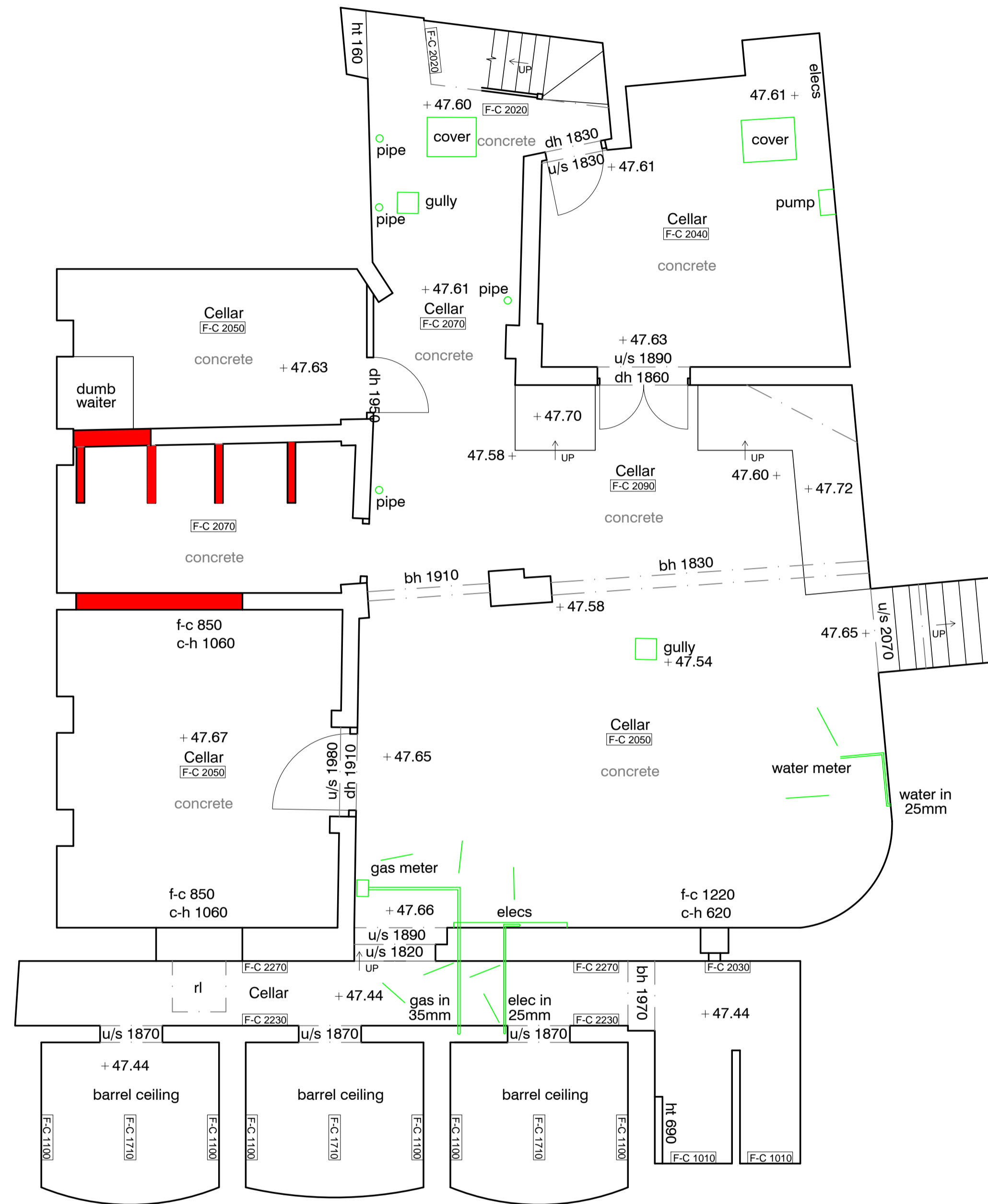


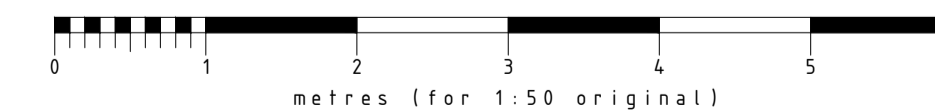
**DISCLAIMER**

A full and accurate measured survey has not been undertaken by Concorde BGW at this site. This drawing has been produced from information provided by others. Any dimensions indicated are for information only and must be checked on site prior to the commencement of any works



EXISTING BASEMENT PLAN  
SCALE 1:50 @ A1

indicates wall to be removed



Rev:	Date:	Init:	Note:	© Copyright
A	12.08.19	SJR	drawing changed to planning stage	

Stage: **PLANNING**

Client: PUB LOVE / EIG

Project address:  
THE NORTHUMBERLAND ARMS  
141 KINGS'S CROSS RD  
KINGS CROSS  
LONDON  
WC1X 9BJ

Title: EXISTING BASEMENT LAYOUT

Scale: 1:50 Dwg size: A1

Drawn by: SJR Date: 10.06.19

Drawing no: 3994-01-01 Rev: A

**CONCORDE  
BGW GROUP**

London Unit 114 Screenworks 22 Highbury Grove N5 2EF	Doncaster Palmer Street Hyde Park Doncaster DN4 5DD	Nottingham Unit 3, The Glade Business Centre Forum Road Nottingham NG5 9RW
--	---	---

01302 361 024 [concordebgw.com](http://concordebgw.com)