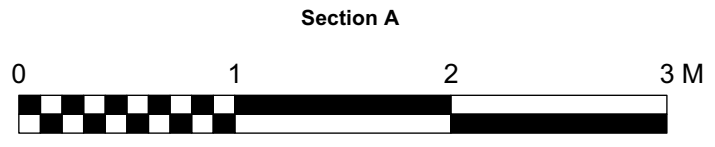
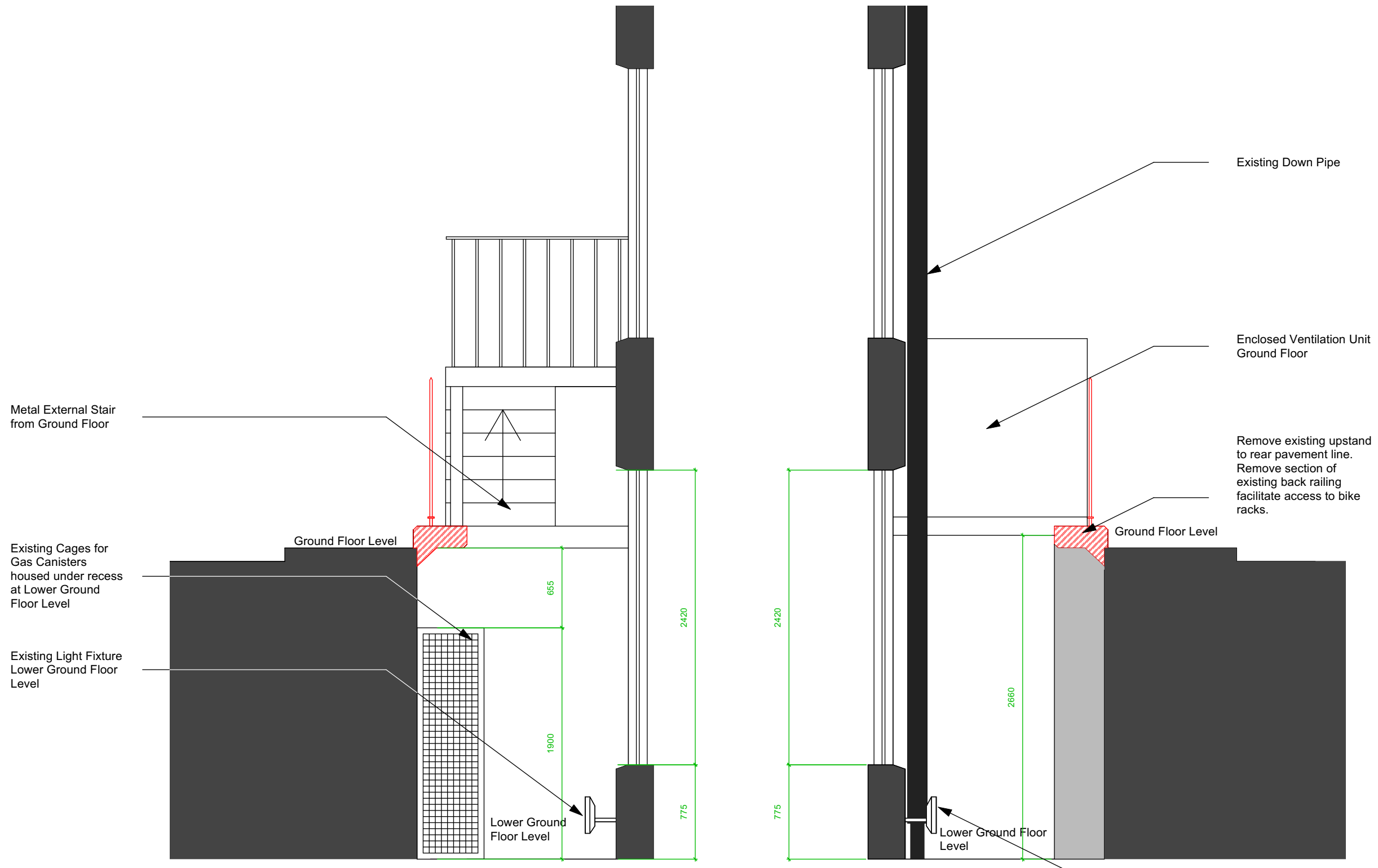
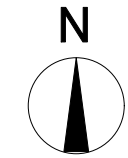
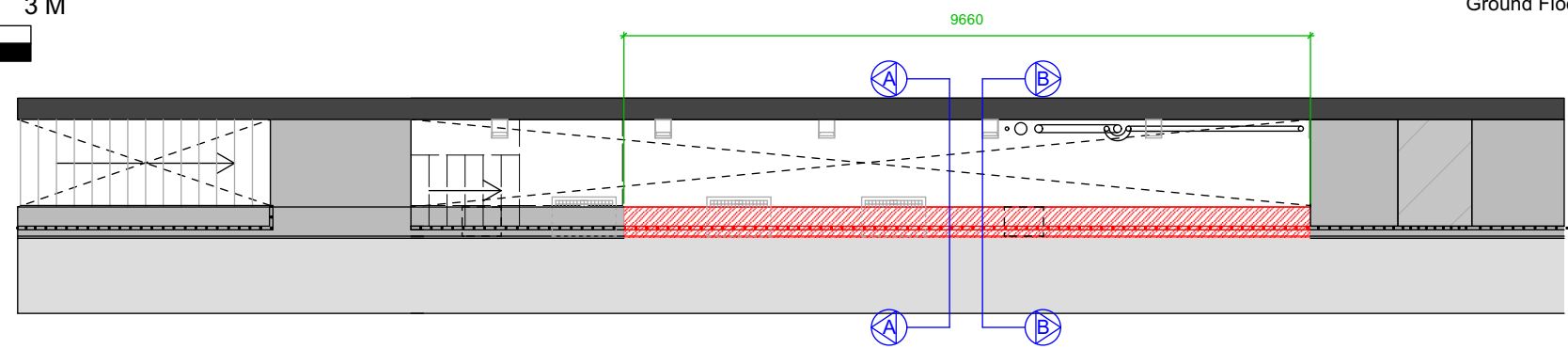


Site Measurements not to be taken from drawings.
 Contractor to confirm all dimensions.
 HHD not liable for seeking relevant planning authority
 permissions (including LBC) unless specifically directed by
 the client



Red indicates removal

Existing Section A and B
 Shropshire House Bike Store
 1:25 @ A3



- 25/10/2022 First Issue AD

No.	Date	Revisions / Submissions	Revised by
-----	------	-------------------------	------------



Design Firm
HamburyHird Design Ltd.
 50-52 Wellsway
 Bath
 BA2 4SA
 Telephone: 01225 336004

Stage
PLANNING

Project Title
Shropshire House Bike Store
 11-20 Capper Street
 London.WC1E 6JA

Drawing Title
 Existing Section A and B

Project Manager XXX Project ID FB256

Drawn By AD CAD File Name FB256 Shropshire House Bike Store.vwx

Reviewed By RH Drawing No.

Date October 2022

Scale 1:25 @ A3

FB256.002