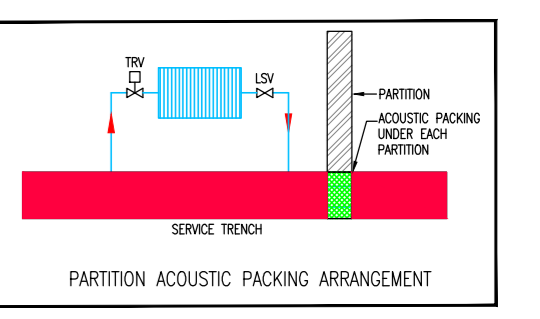
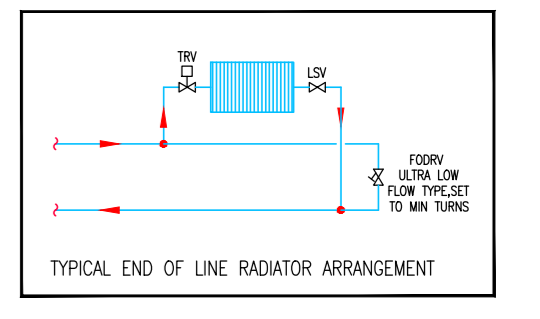
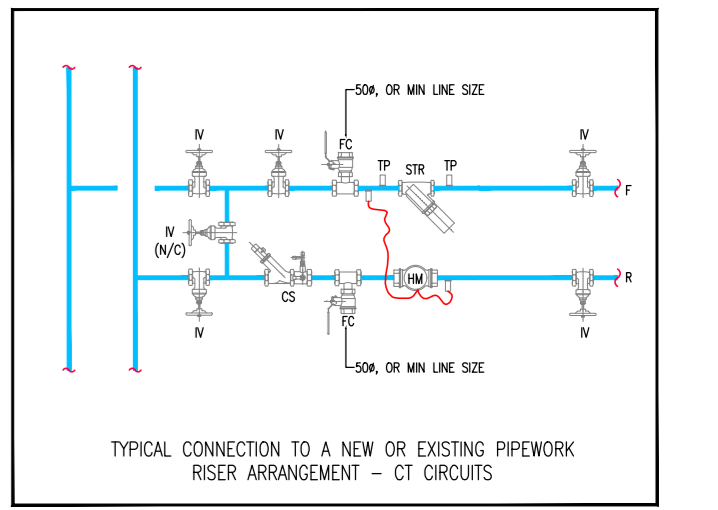
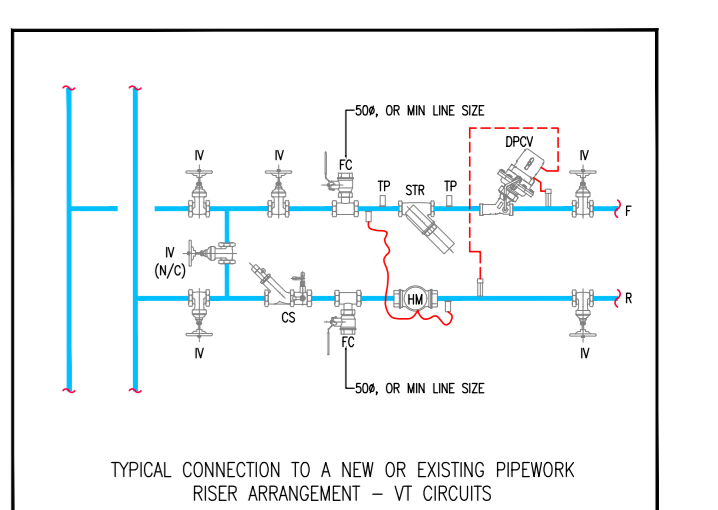


- NOTES:**
- DO NOT SCALE FROM THIS DRAWING
 - THIS DRAWINGS SHALL BE READ IN CONJUNCTION WITH ALL OTHER DRAWINGS AND DOCUMENTS
 - FINAL POSITIONS OF LTHW PIPEWORK F&R TO FOLLOW VALIDATION SURVEY OF CORE B RISER
 - FCU CONDENSATE PIPEWORK TO ROUTE TO WC STACK DROPPING FROM LEVEL 3. LOCATION OF EXISTING STACK TO BE DETERMINED PRIOR TO INSTALL
 - SUFFICIENT DISTANCE TO BE ALLOWED FOR INSTALLATION AND MAINTENANCE OF FCU. NO MORE THAN 200mm FROM FROM CONTROLS AND VALVES TO EDGE OF RAFT.
 - FIRE COLLARS TO BE ADDED TO ALL PIPEWORK PASSING THROUGH A FIRE WALL.
 - CEILING ACCESS PANELS TO BE ALLOWED FOR VALVE SETS & CONDENSATE LIFT PUMPS.

- LEGEND:**
- FCU FAN COIL UNIT
 - CTA CROSS TALK ATTENUATOR
 - AHV AIR HANDLING UNIT
 - VS VALVE SET
 - I ISOLATION VALVE
 - RE ROODING EYE
 - IBS BMS ZONE CONTROL VALVE
 - RADIATOR
 - DX PIPEWORK TRAY
 - CT (CONSTANT TEMPERATURE) LTHW PIPEWORK
 - VT (VARIABLE TEMPERATURE) LTHW PIPEWORK



NOTE:-
FOR ALL OPENINGS THROUGH CONCRETE WALLS REFER TO ARCHITON DRAWINGS

Rev	Date	Description	Iss To	Iss By
8	18/1/23	UPDATED TO SUITE 508B	0/8	NLB
7	21/1/22	UPDATED TO LATEST GA	0/8	NLB
6	15/1/22	ISSUED FOR PLANNING	0/8	NLB
5	14/1/22	UPD. INVERTER HEAT PUMP	0/8	NLB
4	11/1/22	REVISED TO SUIT LATEST GA	0/8	NLB
3	11/1/22	COMMENTS INCORPORATED	0/8	NLB
2	11/1/22	REVISED TO SUIT NEW SCHEME	0/8	NLB
1	11/1/22	STAGE 4 - ISSUE	0/8	NLB
0	18/1/22	STAGE 4 - FOR COMMENT	0/8	NLB

L&P Group
Building Services Consultants
1000 Old Kent Road, London SE5 8TE, UK
Tel: +44 (0)20 7830 0000
www.lampgroup.co.uk

Issue Status
STAGE 4

Project
UCL
WOBBURN SQUARE

Title
LEVEL 5 ZONE C, CORE B & C
PROPOSED PIPEWORK
SERVICES LAYOUT

Scale
1:500 A0

Designed By
NLB

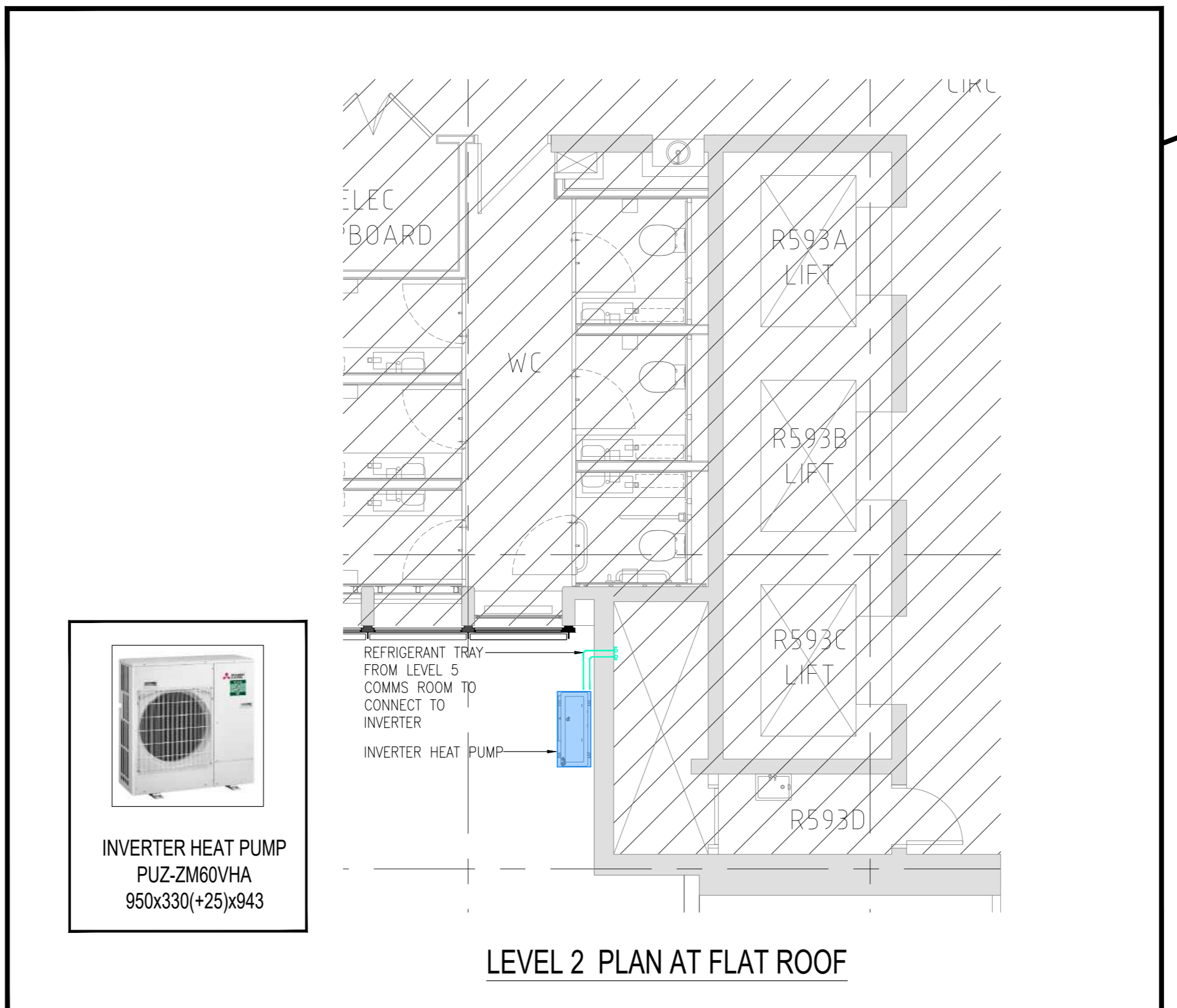
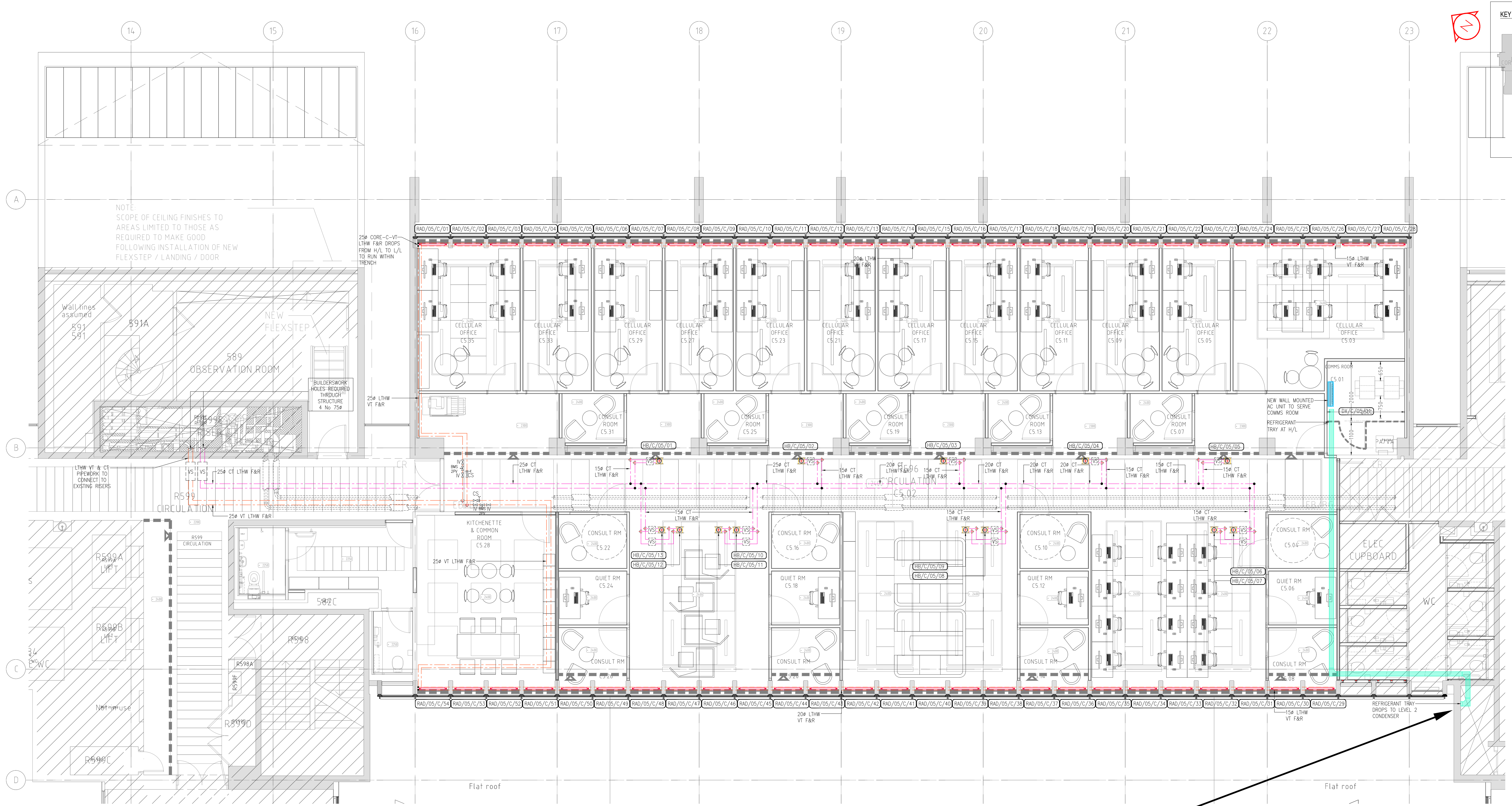
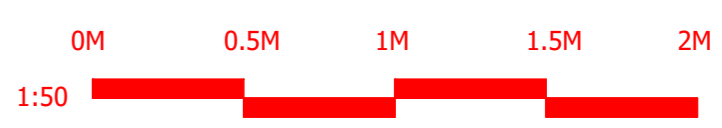
Checked By
WJ

Date
JAN'23

Drawing No.
100353-LP-ZC-05-DR-M-1100

8

Green Building
Low Carbon Energy Assessor



NOTE
SCOPE OF CEILING FINISHES TO AREAS LIMITED TO THOSE AS REQUIRED TO MAKE GOOD FOLLOWING INSTALLATION OF NEW FLEXSTEP / LANDING / DOOR

259 CORE-C-VT LTHW F&R DROPS FROM H/L TO L/L TO RUN WITHIN TRENCH

254 LTHW VT F&R

254 VT LTHW F&R

Flat roof

Flat roof

REFRIGERANT TRAY FROM LEVEL 5 COMMS ROOM TO CONNECT TO INVERTER

INVERTER HEAT PUMP