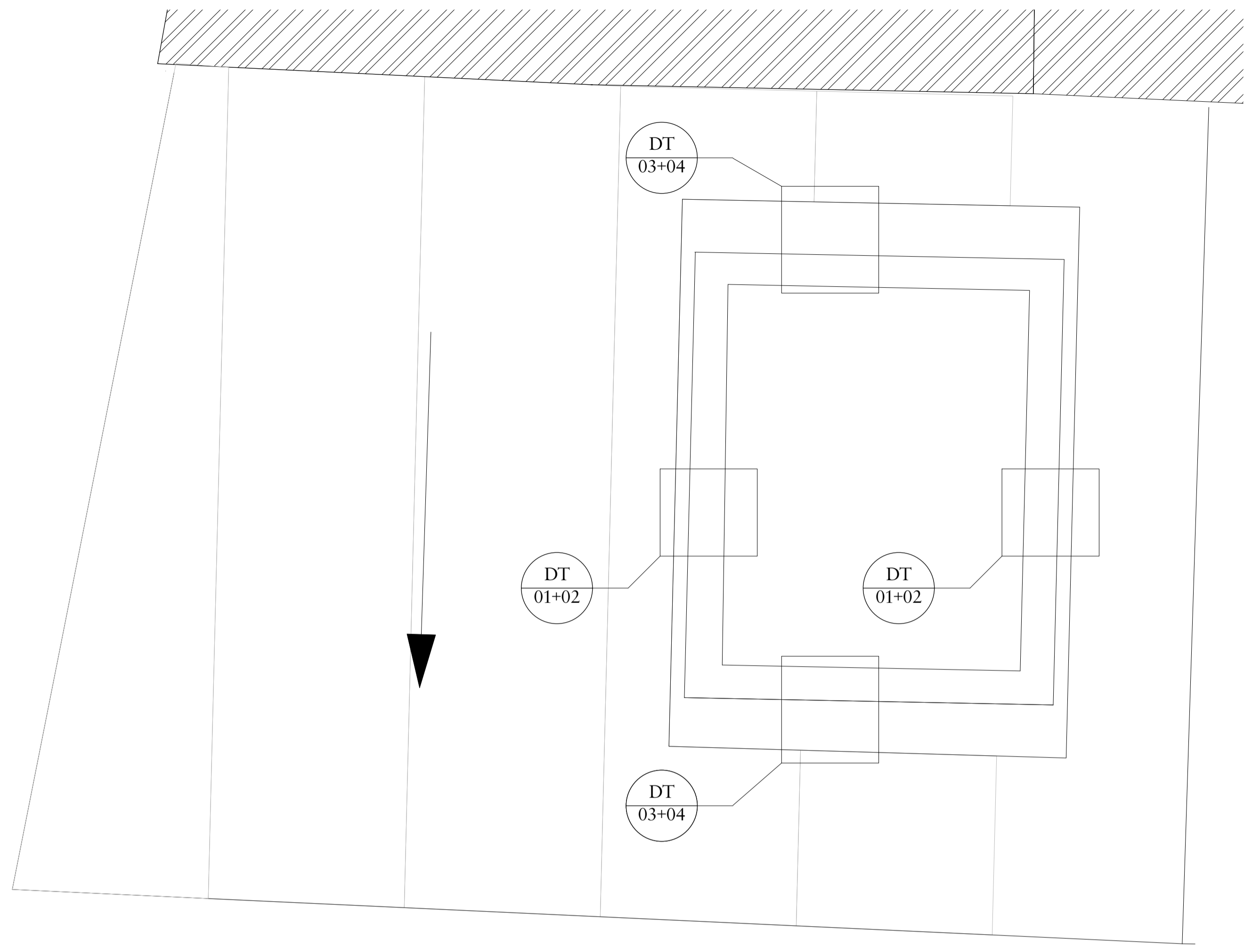
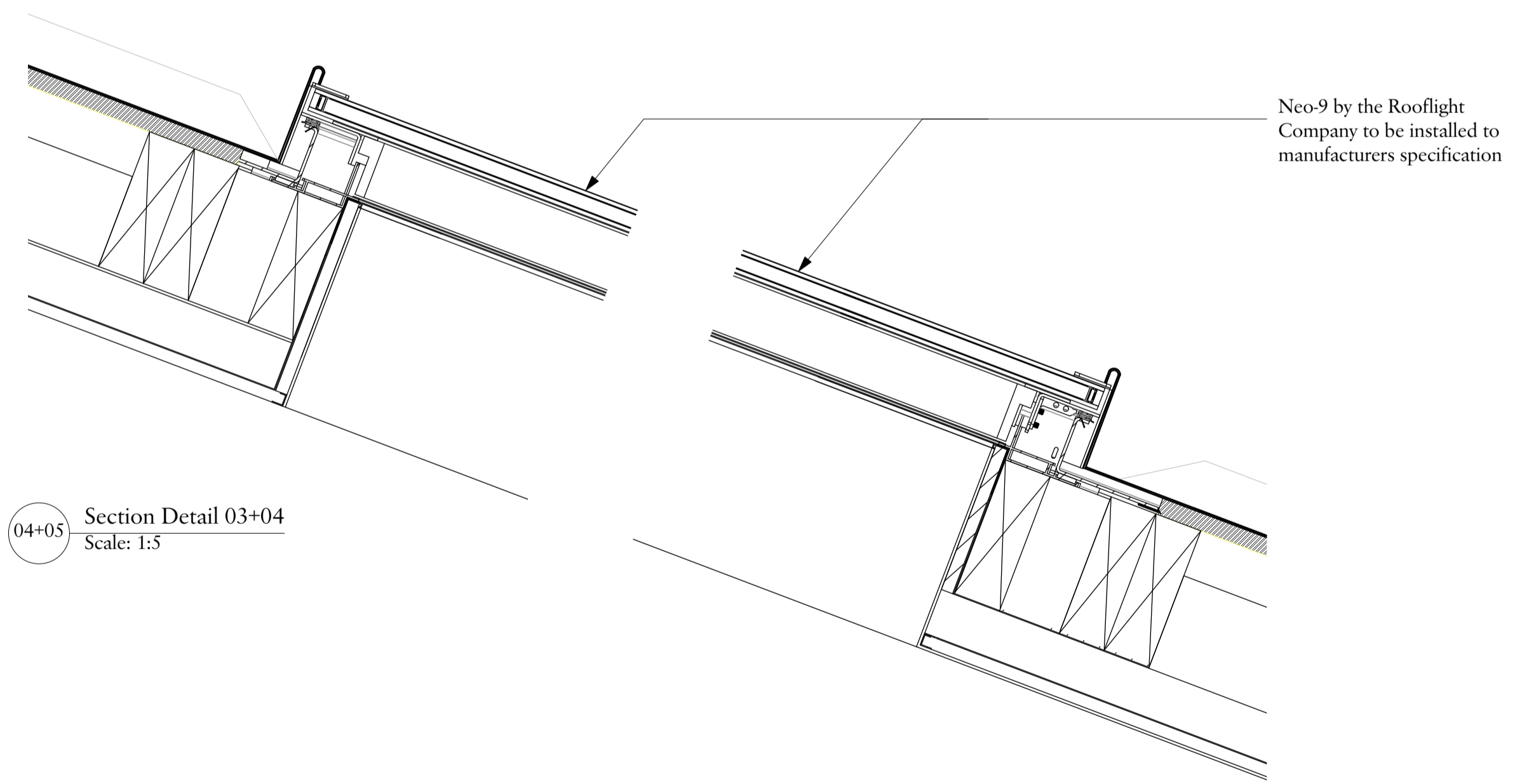


Window Reference	RF.W05
Window Description	Neo-9 by the Rooflight Company
Structural Dimensions	See suppliers details
Viewable Dimensions	Width:835mm Length:1147mm
Finish	Aluminium with a protective polyester powder coating. RAL paint finish to match zinc finish
Ironmongery Set	RF.W05 must include motorised opening with concealed jamb motors
Glass Specification	Laminated glass

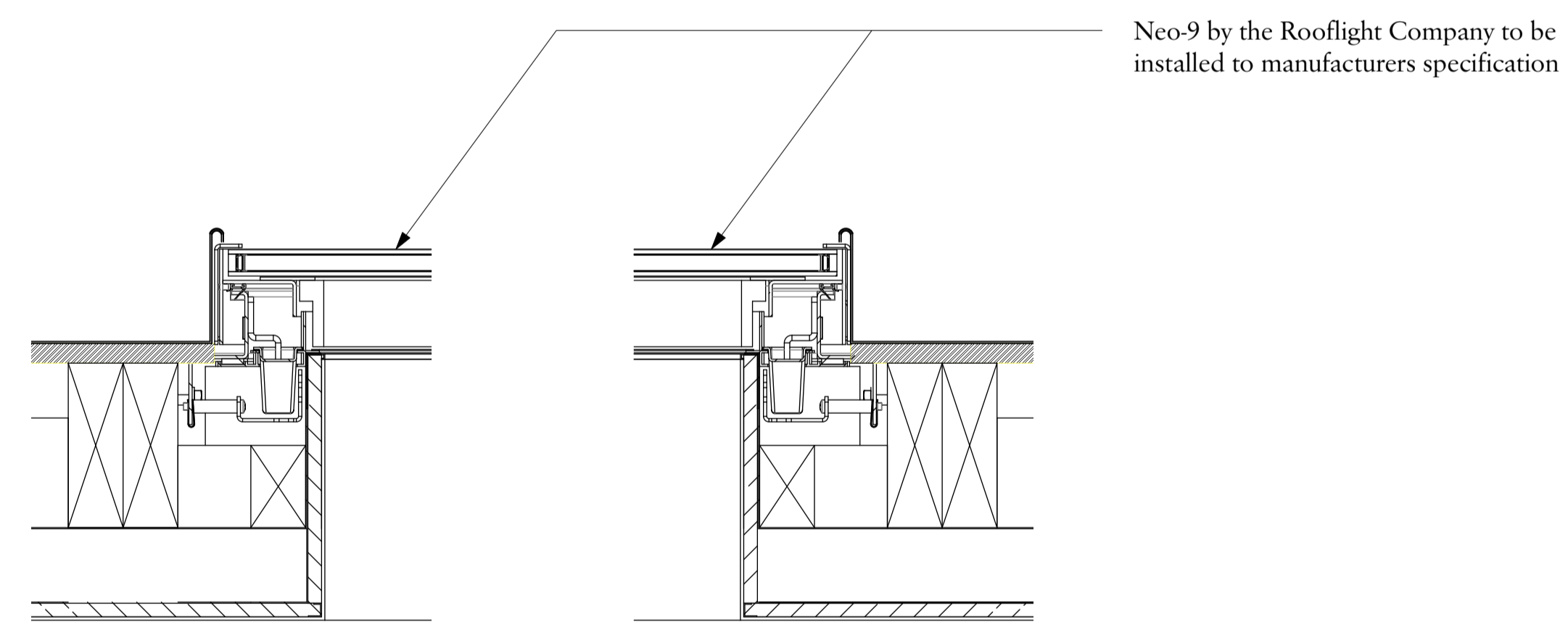
Important note
© Copyright - Charlton Brown Architects Ltd
 All dimensions in millimetres. Where dimensions are not given, drawings must not be scaled and the matter referred back to Charlton Brown Architects.
 All dimensions and conditions are to be checked on site by the contractor prior to preparing drawings or commencing any work. The contractor is responsible for checking that there is no conflict between site dimensions and drawn dimensions.
 In the event of any detail or dimensional conflict between Charlton Brown Architects drawings, the matter must be referred back to Charlton Brown Architects for clarification



01 Plan, second floor rooflight
 Scale: 1:10



04+05 Section Detail 03+04
 Scale: 1:5



02/03 Section Detail 01+02
 Scale: 1:5

Rev Date Details By

Charlton Brown Architecture & Interiors

The Belvedere, 2 Back Lane, Hampstead, London, NW3 1HL
 Telephone +44(0)20 7794 1234
 Email office@charltonbrown.com
 Website www.charltonbrown.com

Client
 Zina Drouche & Dylan McNeil

Project
 49 Willow Road, NW3 1TS

Drawing Title
 Roof Light RF.W05

Date	Drawn	Checked
20/12/2022	KH	SM

Scale
 1:5

Issue Status
PLANNING

Project Number	Drawing Number	Revision
18 2 2	P5-PL-37-101	