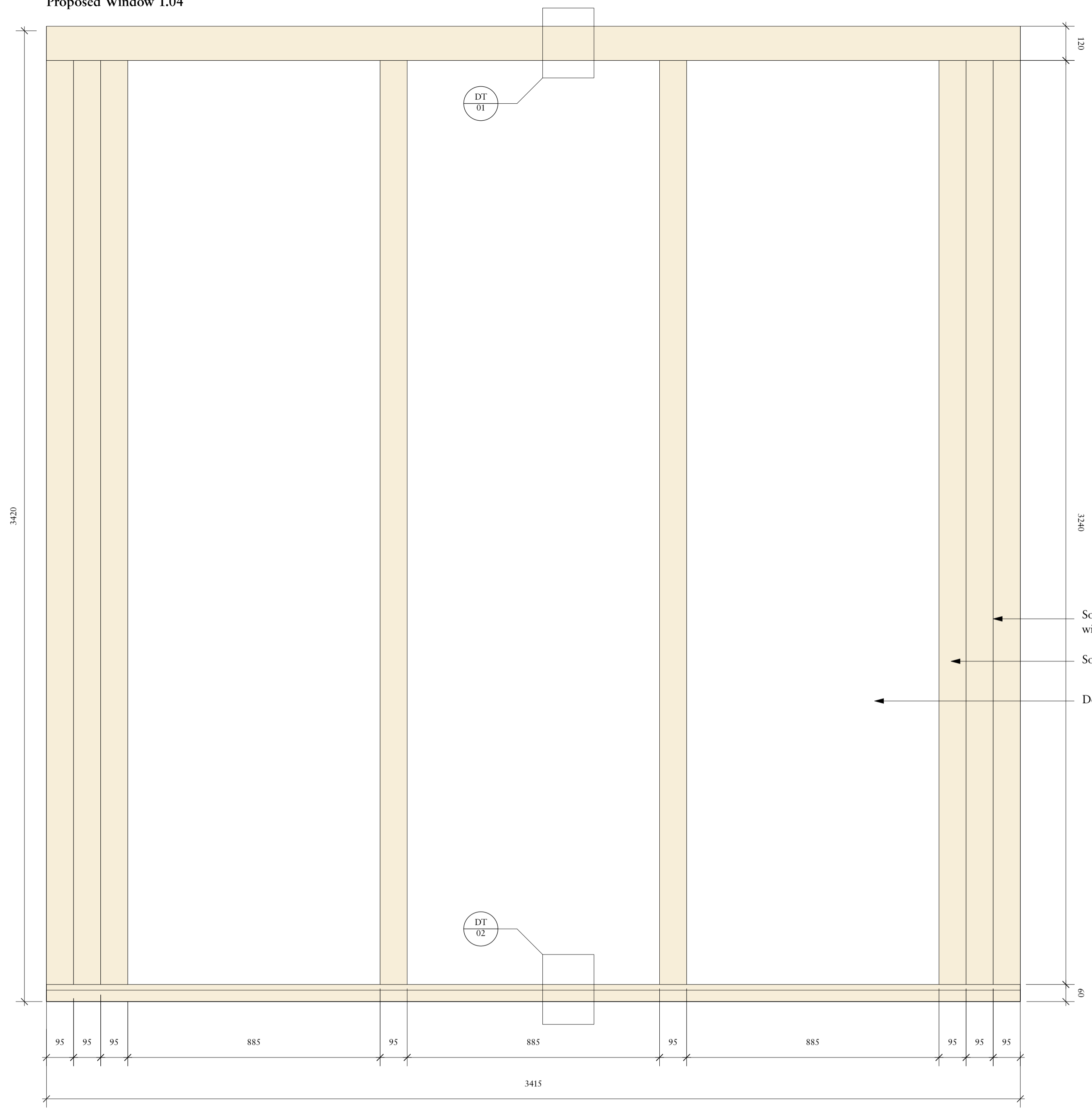
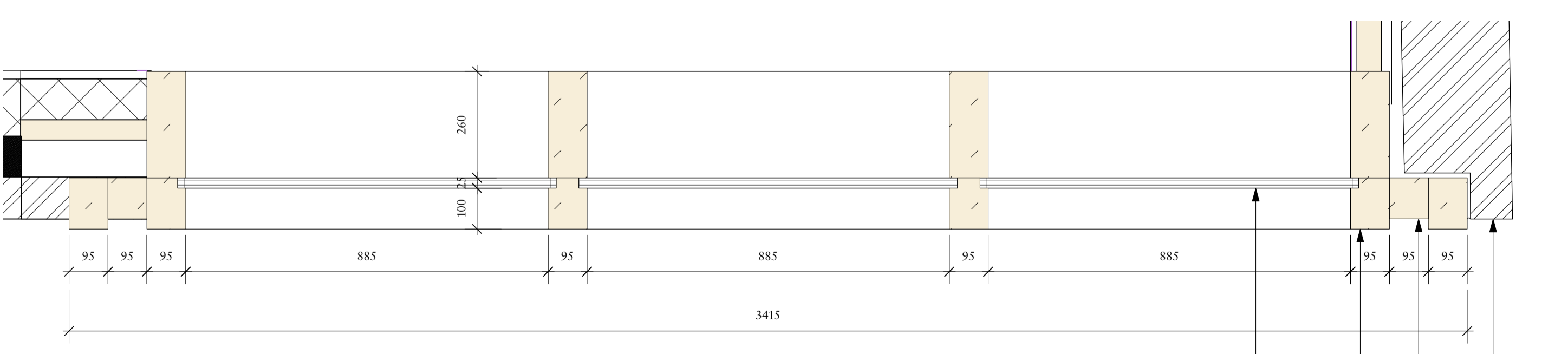


Proposed Window 1.04



1 Elevation  
Scale: 1:10



2 Plan  
Scale: 1:10

Solid timber window frame with inset detail

Solid timber window frame

Double glazed, fixed panel

Partywall brickwork

Solid timber window frame with inset detail

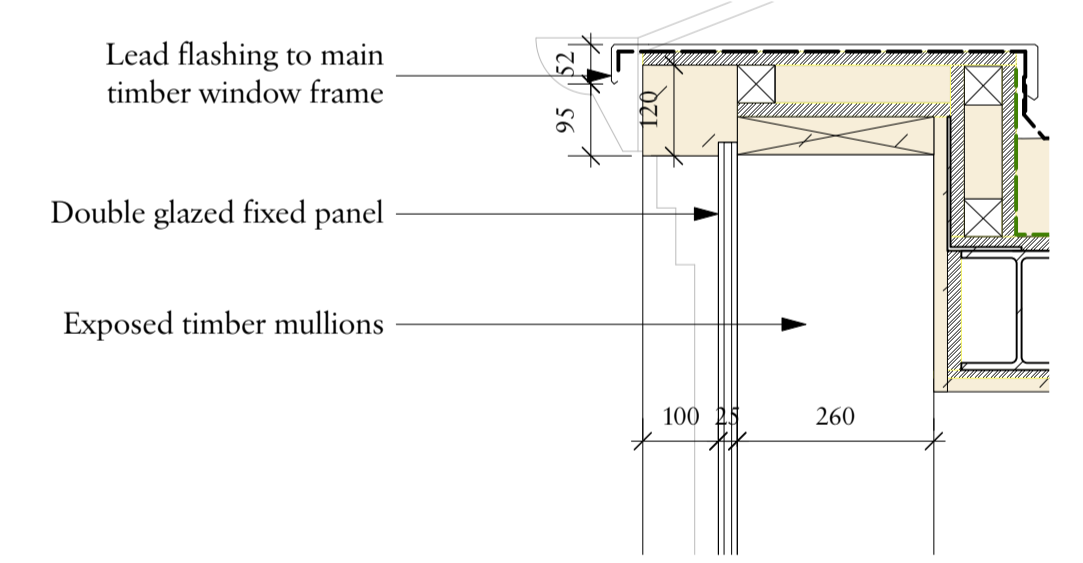
Solid timber window frame

Double glazed, fixed panel

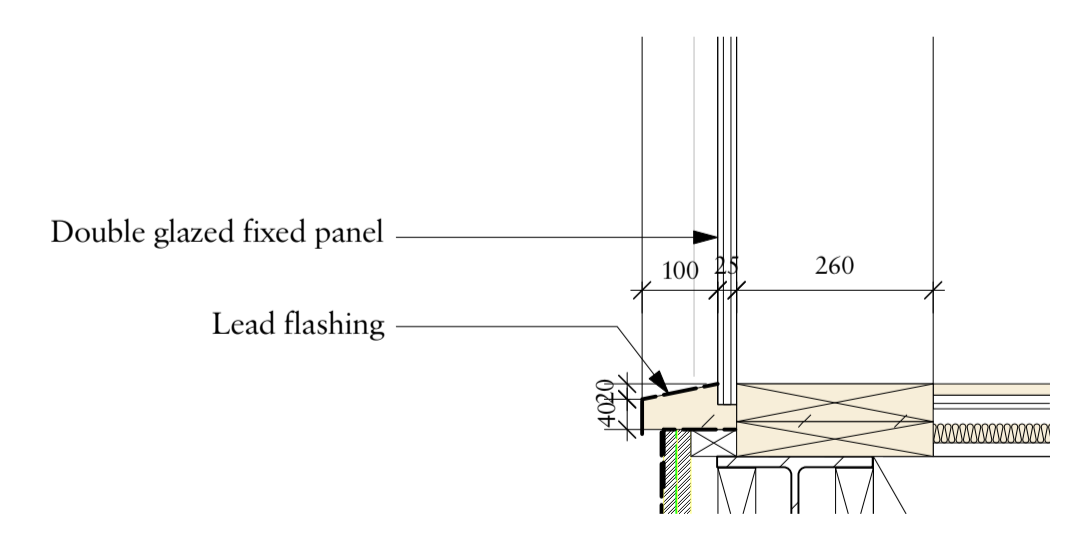
Window Reference	W1.04
Window Description	Double Glazed timber window
Structural Opening	See drawing
Leaf Size	N/A
Finish	Exposed timber
Ironmongery Set	N/A
Glass Specification	Double glazing with air gap



Precedent image for reference  
Exposed timber finish proposed



3 Detail 01 - Section Top of Window Frame  
Scale: 1:10



4 Detail 02 - Section Base of Window Frame  
Scale: 1:10

Important note

All dimensions in millimetres. Where dimensions are not given, drawings must not be scaled and the matter referred back to Charlton Brown Architects.

All dimensions and conditions are to be checked on site by the contractor prior to preparing drawings or commencing any work. The contractor is responsible for checking that there is no conflict between site dimensions and drawn dimensions.

In the event of any detail or dimensional conflict between Charlton Brown Architects drawings, the matter must be referred back to Charlton Brown Architects for clarification

Rev	Date	Details	By
-----	------	---------	----

**Charlton Brown**  
Architecture & Interiors

The Belvedere, 2 Back Lane, Hampstead, London, NW3 1HL  
Telephone +44(0)20 7794 1234  
Email office@charltonbrown.com  
Website www.charltonbrown.com

Client  
Zina Drouche & Dylan McNeil

Project  
49 Willow Road, NW3 1TS

Drawing Title  
Window W1.04 - Details

Date	Drawn	Checked
20/12/2022	SC	SJM

Scale  
1:5

Issue Status  
**PLANNING**

Project Number	Drawing Number	Revision
18 2 2	P5-PL-31-005	