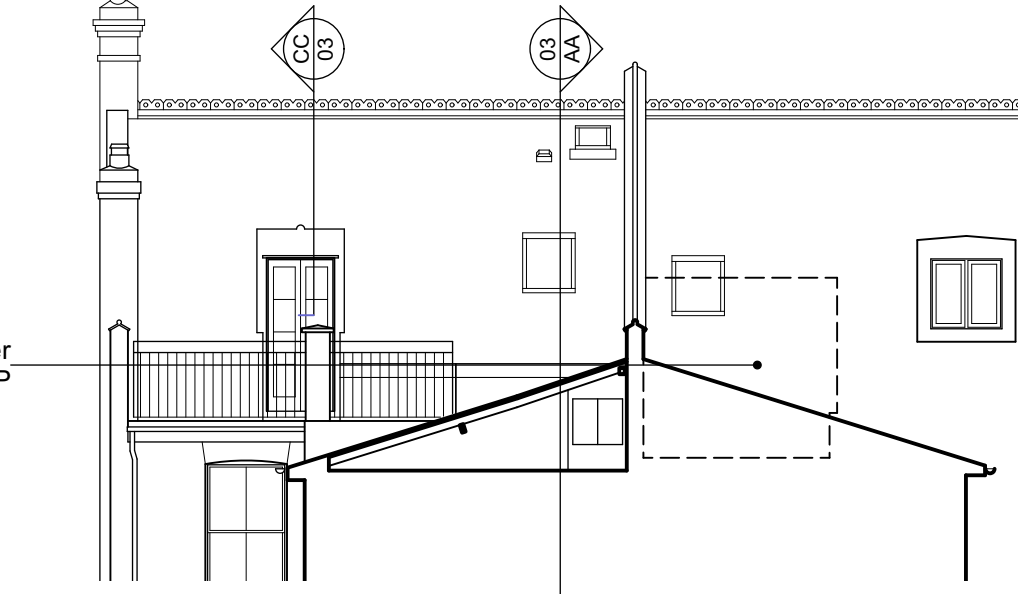
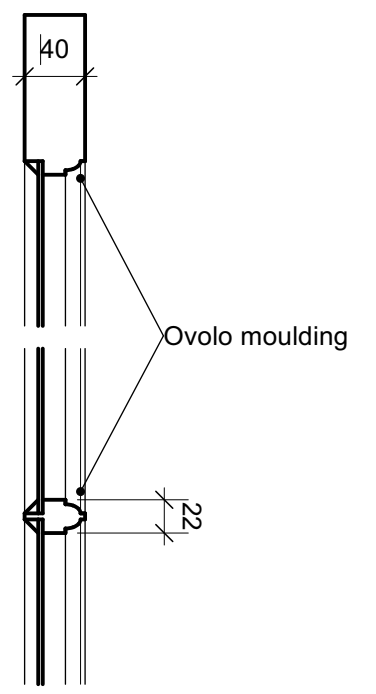


Permission granted for zinc dormer  
Application Ref 2021/3951/P

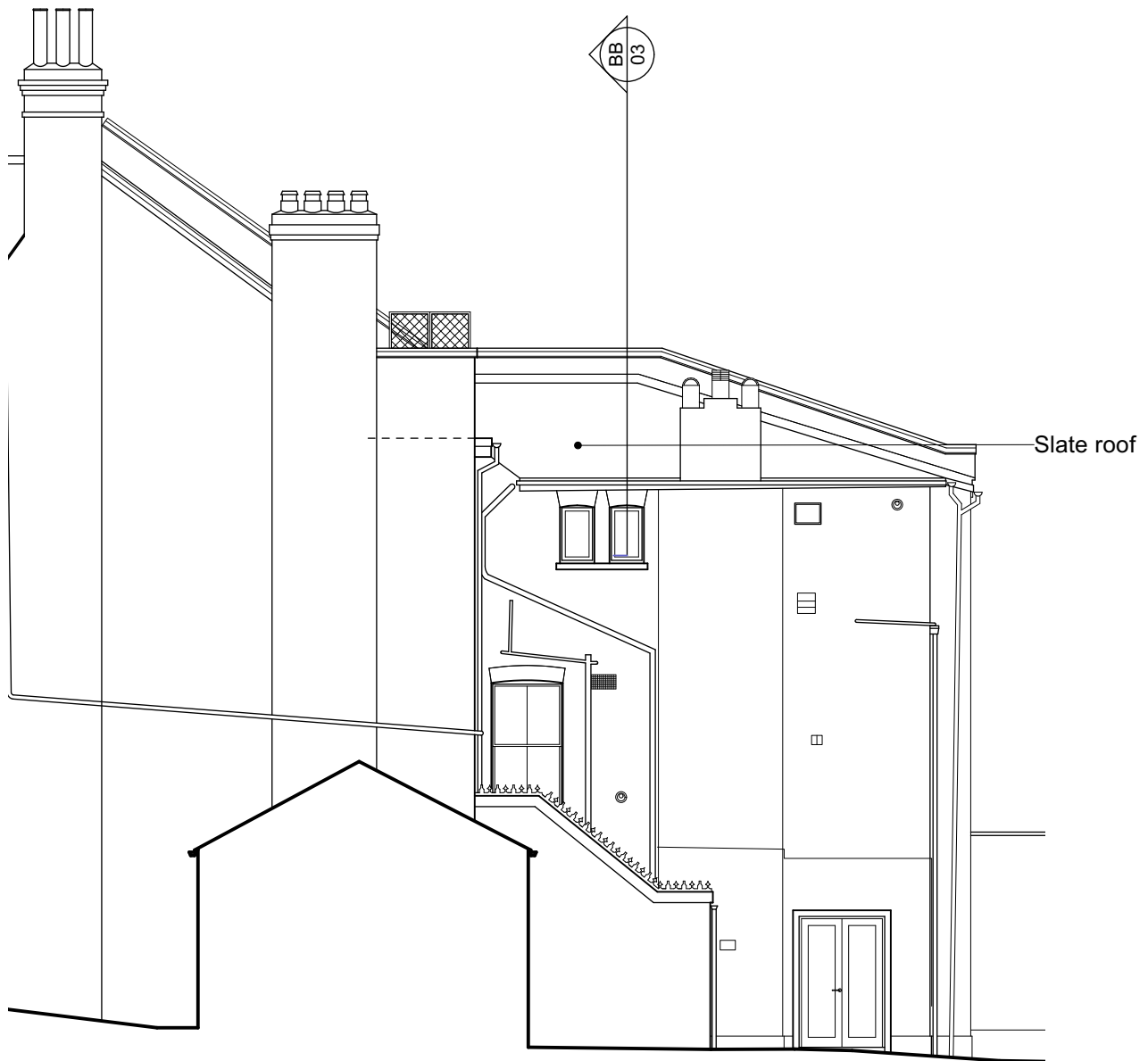
03 SECTION  
003 AA LONG



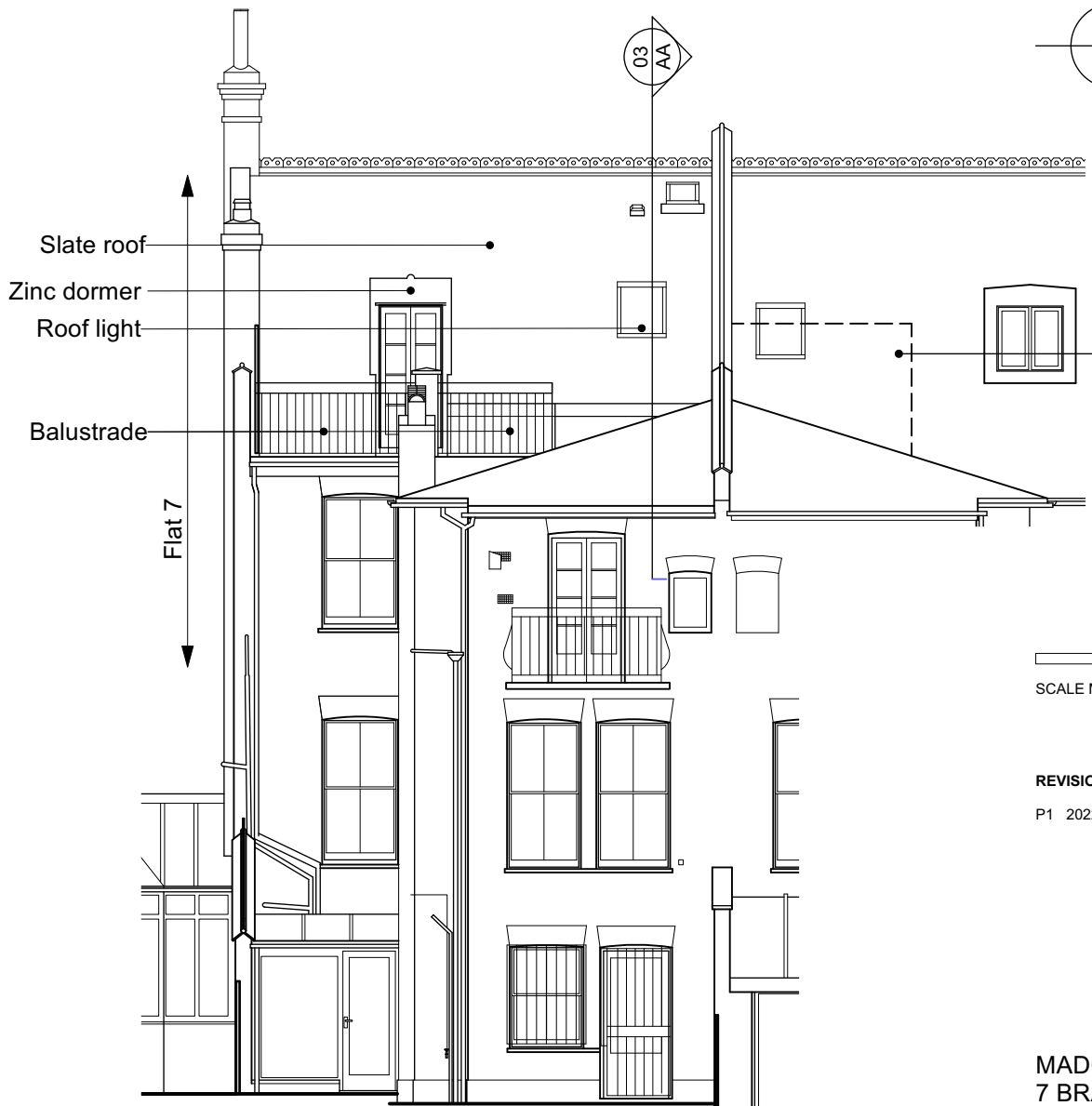
04 SECTION  
003 BB SHORT



05 CC DOOR FRAME/MULLION 1:5  
003 SINGLE GLAZED TIMBER FRENCH DOORS

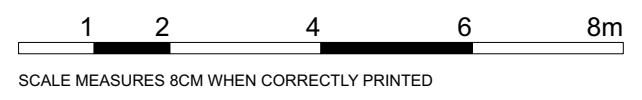


01 ELEVATION  
003 SIDE



02 ELEVATION  
003 REAR

Permission granted for zinc dormer  
Application Ref 2021/3951/P



**REVISIONS**  
P1 20221012 ISSUE FOR PLANNING

MADONNA BAPTISTE  
7 BRAMSHILL MANSIONS

**ELEVATION** 099-003  
1:100 @ A3 DJ REV P1

**Existing Elevations and Sections**

