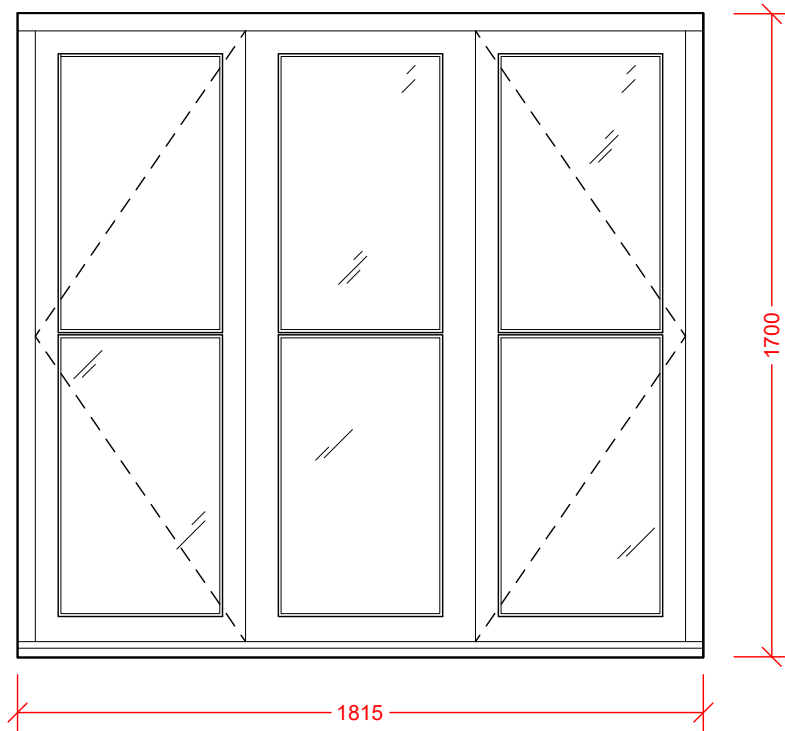
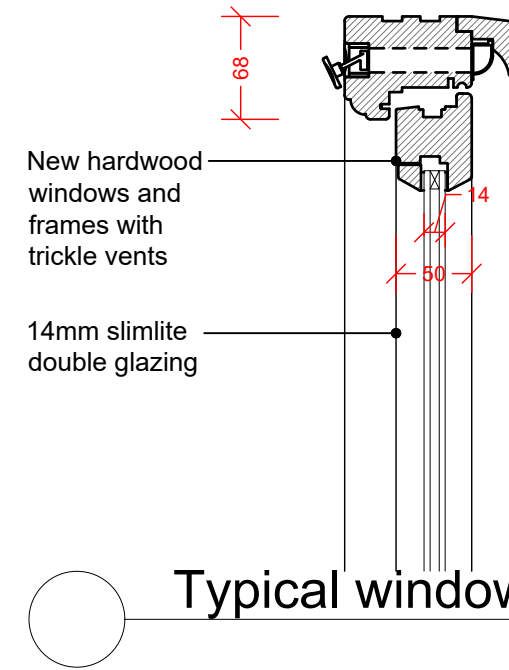
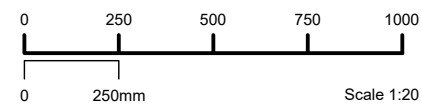


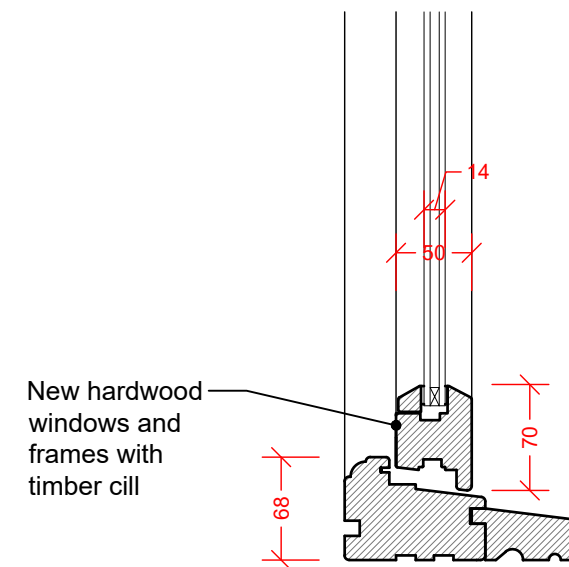
Section



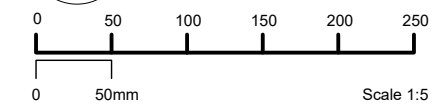
Elevation



Typical window head/jamb



Typical window cill



PLANNING

REVISION:	DESCRIPTION:	DATE:
P1	Issued to local planning authority	06.01.2023