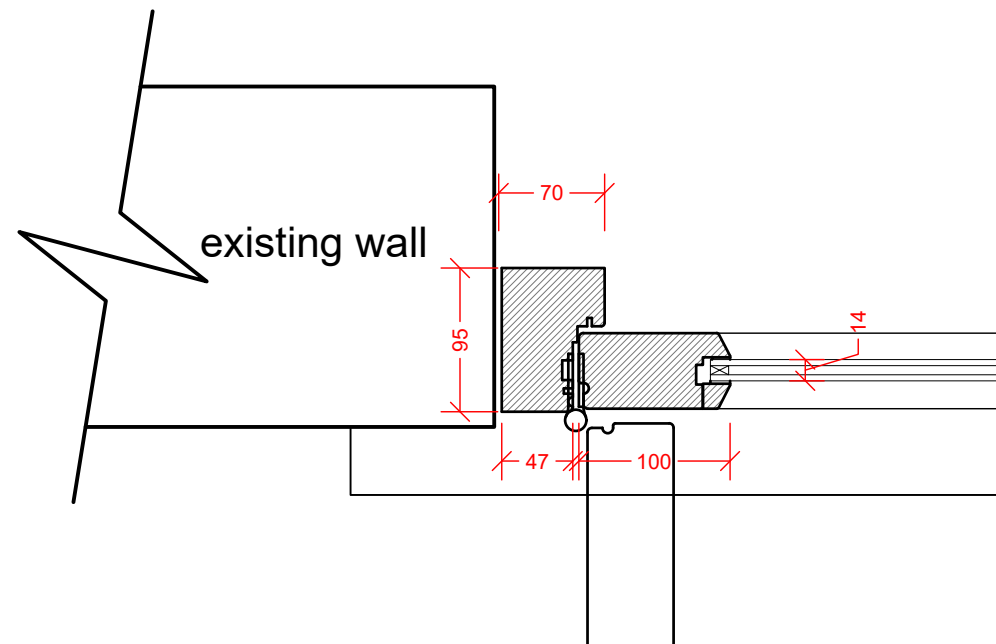
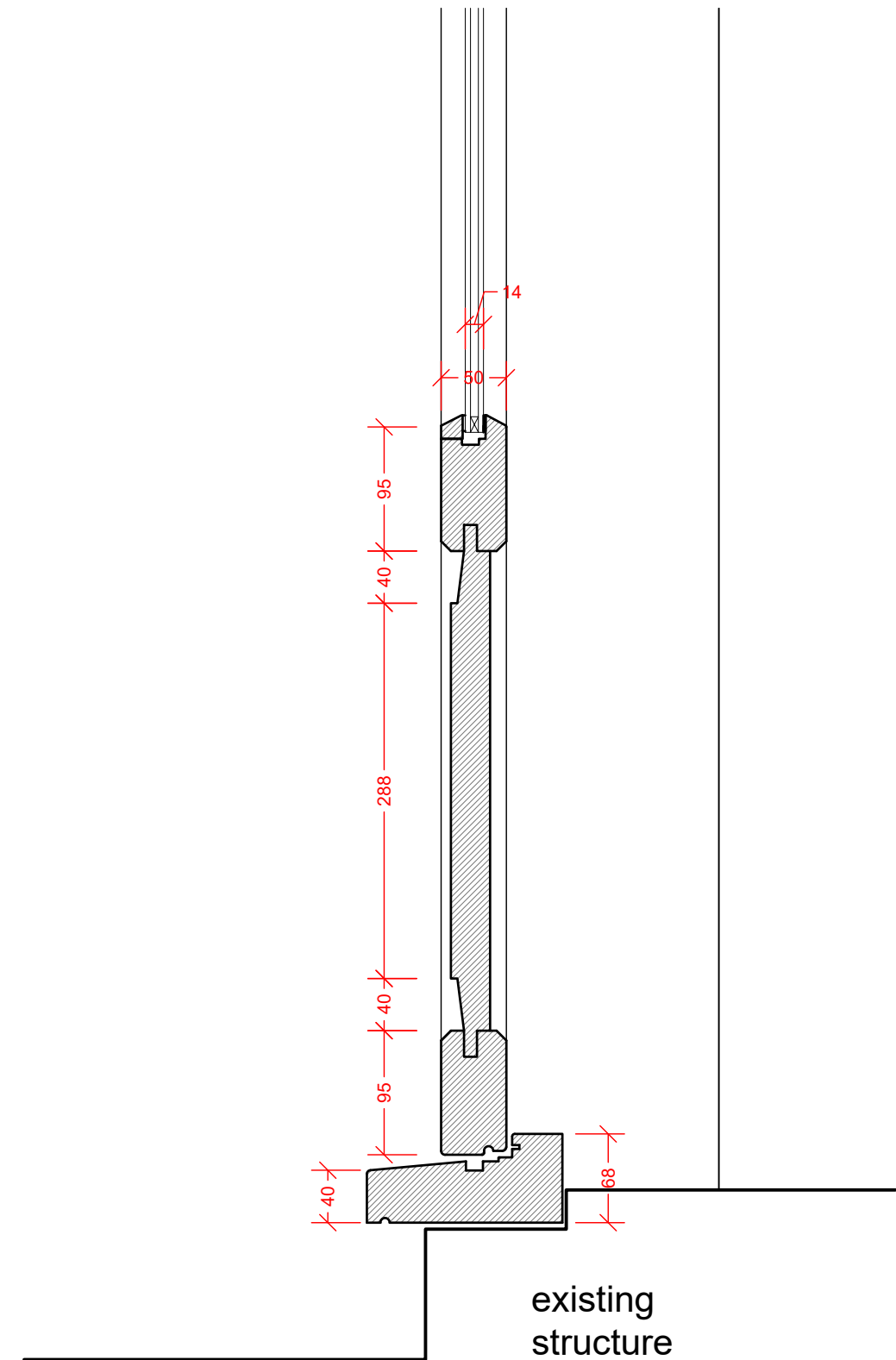


○ Door head



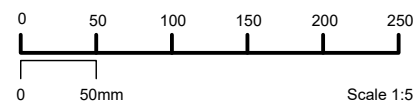
○ Door jamb



○ Door threshold

PLANNING

REVISION:	DESCRIPTION:	DATE:
P1	Issued to local planning authority	06.01.2023



All dimensions to be checked on site prior to construction or manufacture. Do not scale from this drawing. Refer also to written specification of works where applicable. Any discrepancies to be verified with consultant prior to commencement of works.

This drawing is the property of William Latimer. They reserve copyright, and the drawing issued on the condition that it is not retained by any unauthorized person. It may not be reproduced or disclosed, either wholly or in part without written consent from William Latimer.

Architect ARB 090775H - RIAI 18238

PROJECT:	Renovation & Extension
	12 Millfield Ln, London N6 6JD
CLIENT:	Charles Bear & Helen Niland
DRAWING:	Typical glazed doors
	PROPOSED details
DATE:	November 2022
SCALE:	1:5 @ A3
DWG. NO:	1044-014
REVISION:	P1