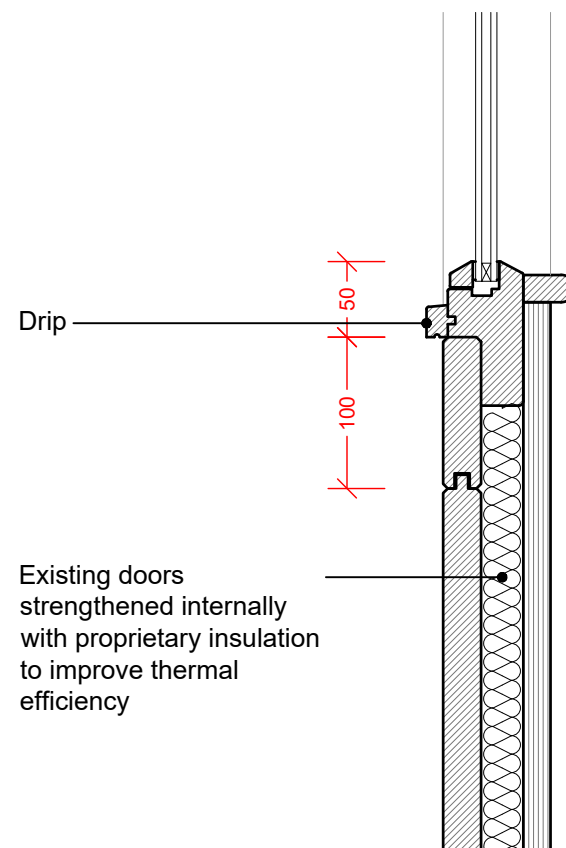
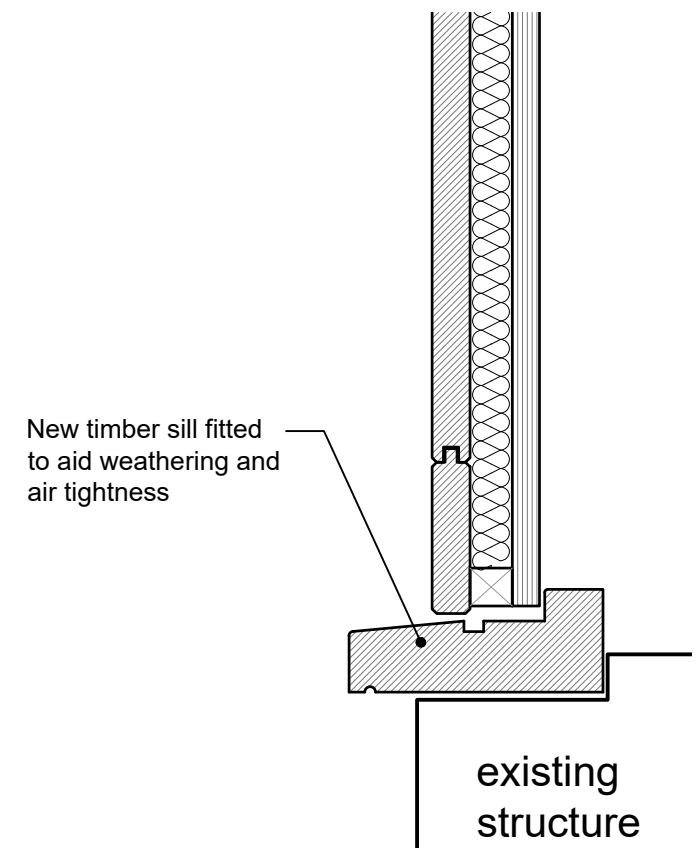


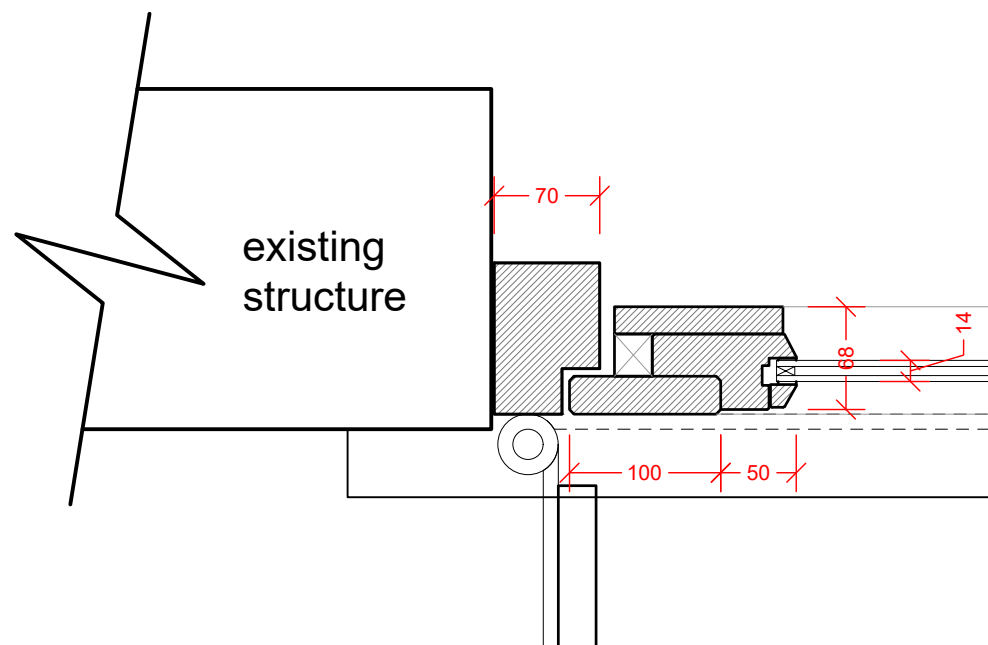
○ Door head



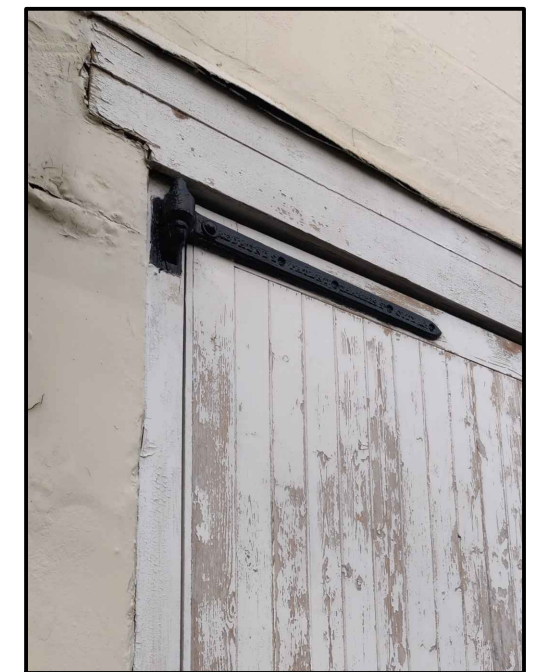
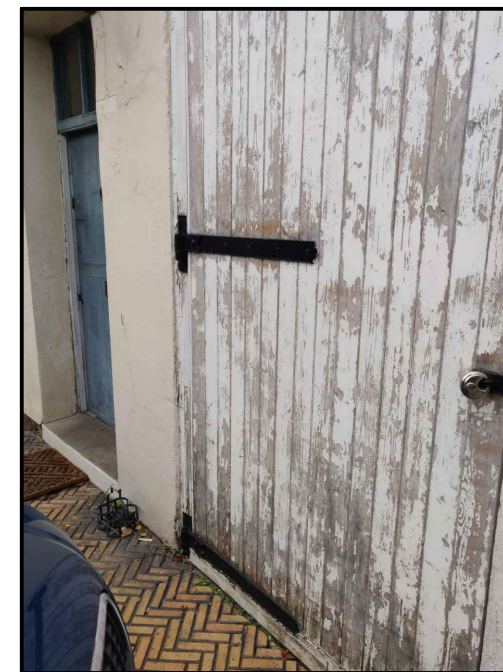
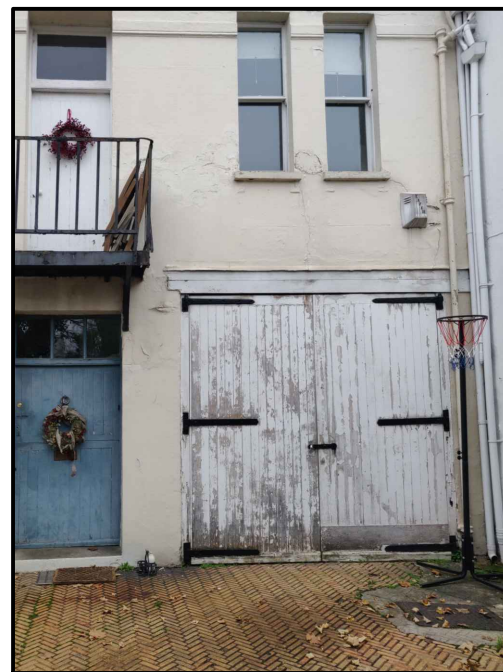
○ Window cill



○ Door threshold



○ Door jamb



○ Existing coach house doors

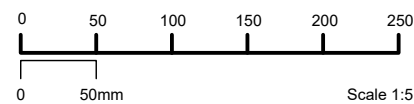
PLANNING

LATIMER ARCHITECTURE
ARCHITECT
INTERIOR DESIGNERS
PLANNING &
CONSTRUCTION
CONSULTANT

34 Plover way, Rotherhithe
LONDON - SE16 7TT
United Kingdom
t: 07792315978
www.latimerarchitecture.com

The Old Dispensary
Prioryland - Duleek
Co. Meath - A92 WD96
Republic of Ireland
t: 041 9880073
e: design@latimerarchitecture.com

REVISION:	DESCRIPTION:	DATE:
P1	Issued to local planning authority	06.01.2023



All dimensions to be checked on site prior to construction or manufacture. Do not scale from this drawing. Refer also to written specification of works where applicable. Any discrepancies to be verified with consultant prior to commencement of works.

This drawing is the property of William Latimer. They reserve copyright, and the drawing issued on the condition that it is not retained by any unauthorized person. It may not be reproduced or disclosed, either wholly or in part without written consent from William Latimer.

Architect ARB 090775H - RIAI 18238

PROJECT:	Renovation & Extension
	12 Millfield Ln, London N6 6JD
CLIENT:	Charles Bear & Helen Niland
DRAWING:	Coach house doors
	PROPOSED details
DATE:	November 2022
SCALE:	1:5 @ A3
DWG. NO:	1044-012
REVISION:	P1