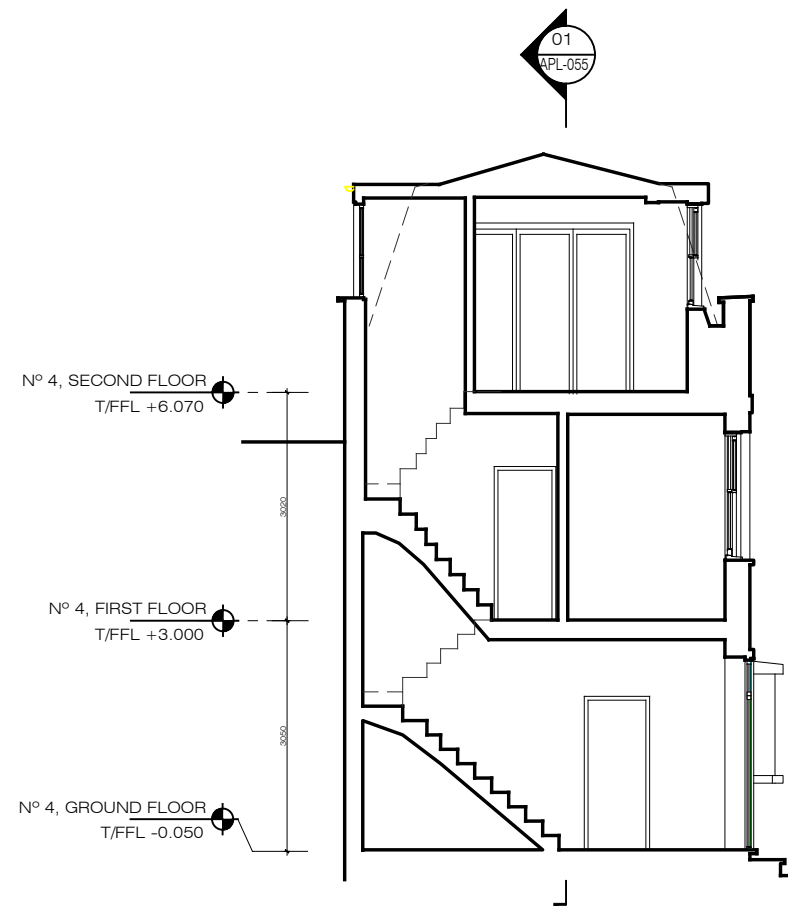
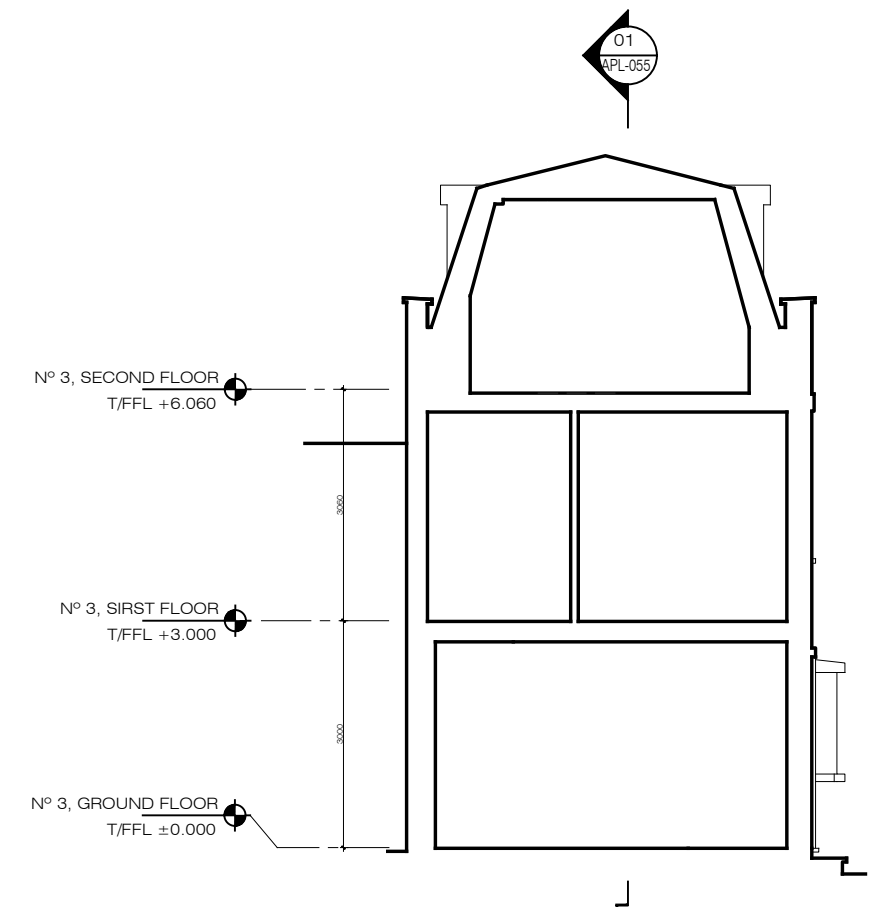


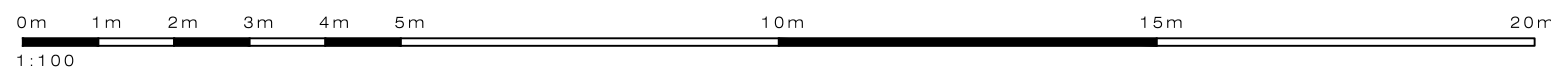
**01** Section A-A  
scale: 1:100



**02** Section B-B  
scale: 1:100



**03** Section D-D  
scale: 1:100



**PLEASE NOTE:**

1. All dimensions to be checked on site before fabrication.
2. Contractor to refer to engineers drawings before proceeding with works.
3. All drawings and designs are covered by design right (intellectual property), and may not be distributed, copied or issue without written permission of the architect.
4. All design concepts are the sole property of the architect and no adaptations, reproductions or copies may be made without written permission of the architect.
5. These drawings are subject to any variation required or recommendation by any statutory authority, or for the better carrying out of the works.
6. Samples to be provided by contractor for the architect approval.
7. All finishes to architect satisfaction.
8. All drawings to be approved by the architect before construction.

**ADDITIONAL NOTES:**

Rev	Issued for	Date	By	Issued	Rev	Issued for	Date	By	Issued

Client Private	Project 4-12 Elsworthy Rise NW3 3SH	Status Preliminary
Architect <b>Ariel Greis Design</b>	Title Existing Sections Dwellings 03 & 04	Scale 1:100 @ A3
9 St Clair Dr, London E14 8UG info@arielgreisdesign.com	Tel: +44 (0)20 3411 8831 www.arielgreisdesign.com	Drawn CV
		Issued AG
		Date 05 Dec 19
		Drawing No APL_054
		Project No 1910A
		Revision 00