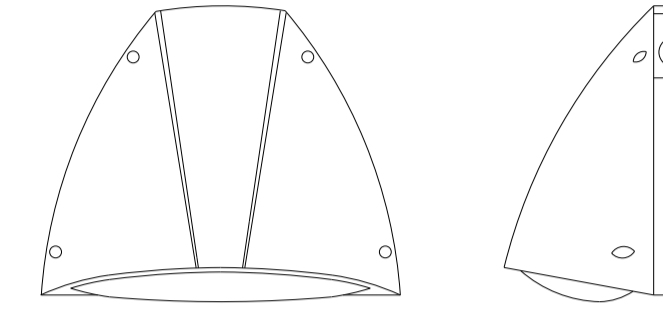
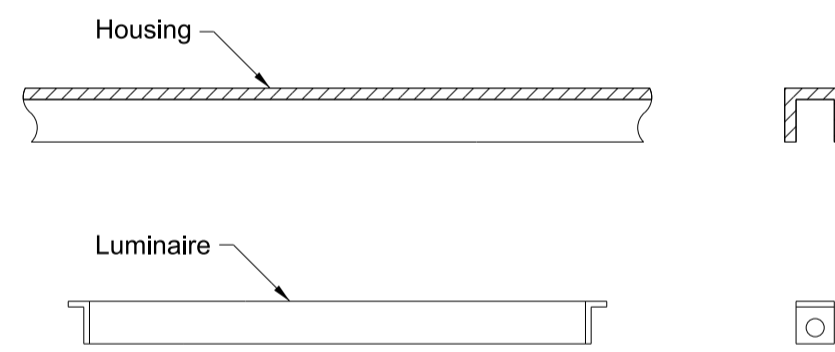


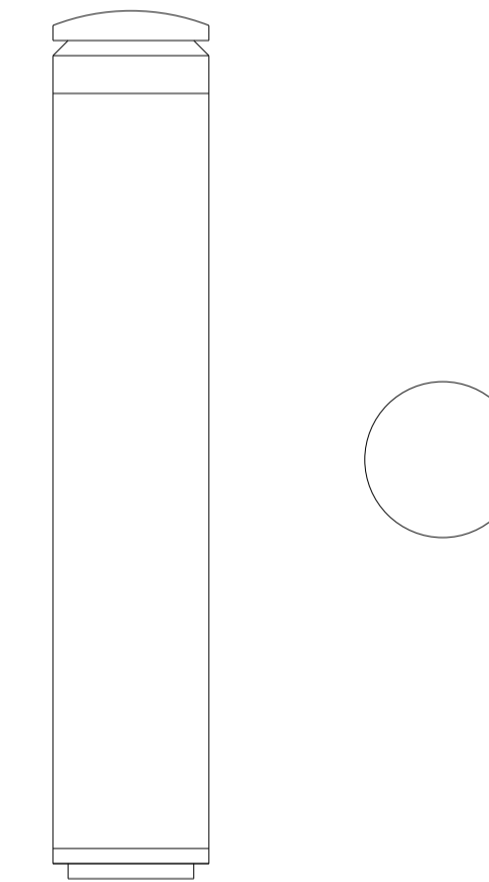
**Detail 1**  
**LED Luminaire**  
Reference "A1,A2"  
Building mounted luminaire



**Detail 2**  
**LED Wall Mounted Luminaire**  
Reference 'B1, B2' Surface mounted Luminaire



**Detail 3**  
**LED Handrail Integrated Luminaire**  
Reference - "D1, D2" handrail integrated luminaire



**Detail 4**  
**LED Surface Mounted Luminaire**  
Reference - "F1" Surface Mounted Luminaire

**ISSUED FOR ACCEPTANCE**

P01	EAR-CW_Schedule 17 Submission	AB	SK			HS2 accepts no responsibility for any circumstances which arise from the reproduction of this document after alteration, amendment or abbreviation or if it is issued in part or issued incompletely in any way.
P02	EAR-CW_Schedule 17 LA Submission	MR	CE			© Crown Copyright and database right 2018. All rights reserved. Ordnance Survey Licence number 100049190
P03	EAR-CW_Schedule 17 Final Submission	TB	SK			© Crown Copyright material is reproduced with the permission of Land Registry under delegated authority from the Controller of HMSO.
C01	EAR-CW_Schedule 17 Final Submission	TB	SK	GR		This material was last updated on 2018 and may not be copied, distributed, sold or published without the formal permission of Land Registry. Only an official copy of a title plan or register obtained from the Land Registry may be used for legal or other official purposes.
P04	EAR-MW_Schedule 17 Final Re-Subm. A	TB	SK	---		
Rev	Description	Drawn	Checked	Con App	HS2 App	Scale with caution as distortion can occur.

**Legends/Notes:**  
G1. All dimensions are in millimetres unless noted otherwise.  
G2. All levels are in metres relative to OD (Ordnance Datum, Newlyn) unless noted otherwise.  
G3. Chainages are expressed in metres and measured from Euston Station.  
G4. Global coordinates are indicated by Eastings (E) and Northings (N) to the project snake grid.  
G5. All angles are in degrees (0°-360°) unless noted otherwise.  
G6. Dimensions are not to be scaled from the drawing.  
G7. For the scope of works by the rail systems contractor, as indicatively shown on the drawings, refer to WI 100

- This drawing is to be used for HS2 Schedule 17 planning applications only. This drawing is not for use for construction.

**HS2**  
Registered in England Registration No. 06791686  
Registered office: 2 Snow Hill, Queensway, Birmingham, B4 6GA  
**OFFICIAL**  
Creator/Originator  
SCS JV - Design House

Zone	Adelaide Road Vent Shaft			Project/Contract	HS2-MWCC SCS Sector S1		
Design Stage	Detail Design			Discipline/Function	Electrical		
Drawing Title	Adelaide Road Vent Shaft Schedule 17 Plans and Specifications External Lighting and Installation Details For Approval			Drawn	Checked	Approved	
	T Burrige	S King	D.Griffith		Date	Scale	Size
	30/11/22	NTS	A1		Drawing No.	Rev.	
	1MC03-SCJ_SDH-EL-DDE-SS02_SL01-444451			P04			