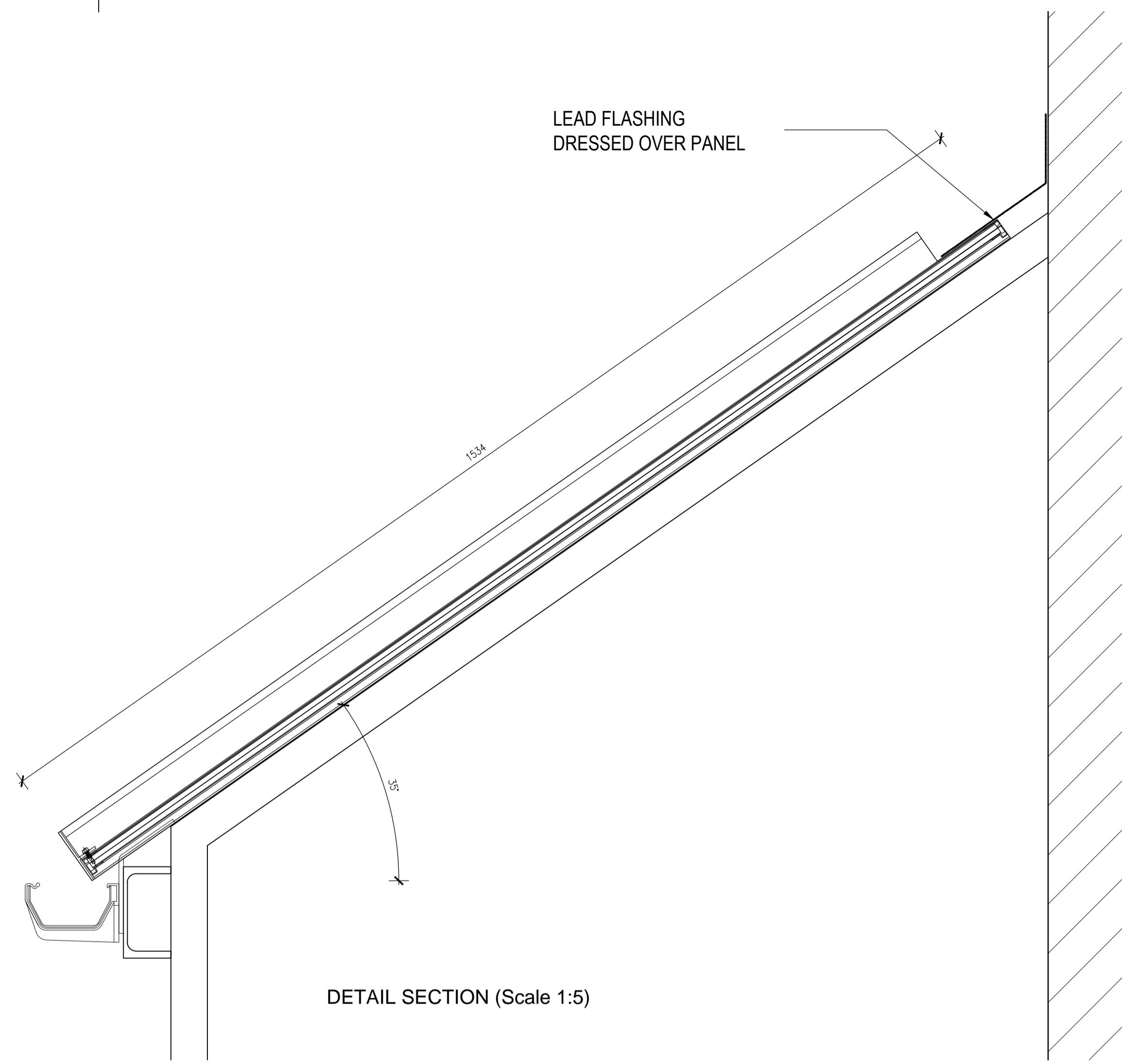
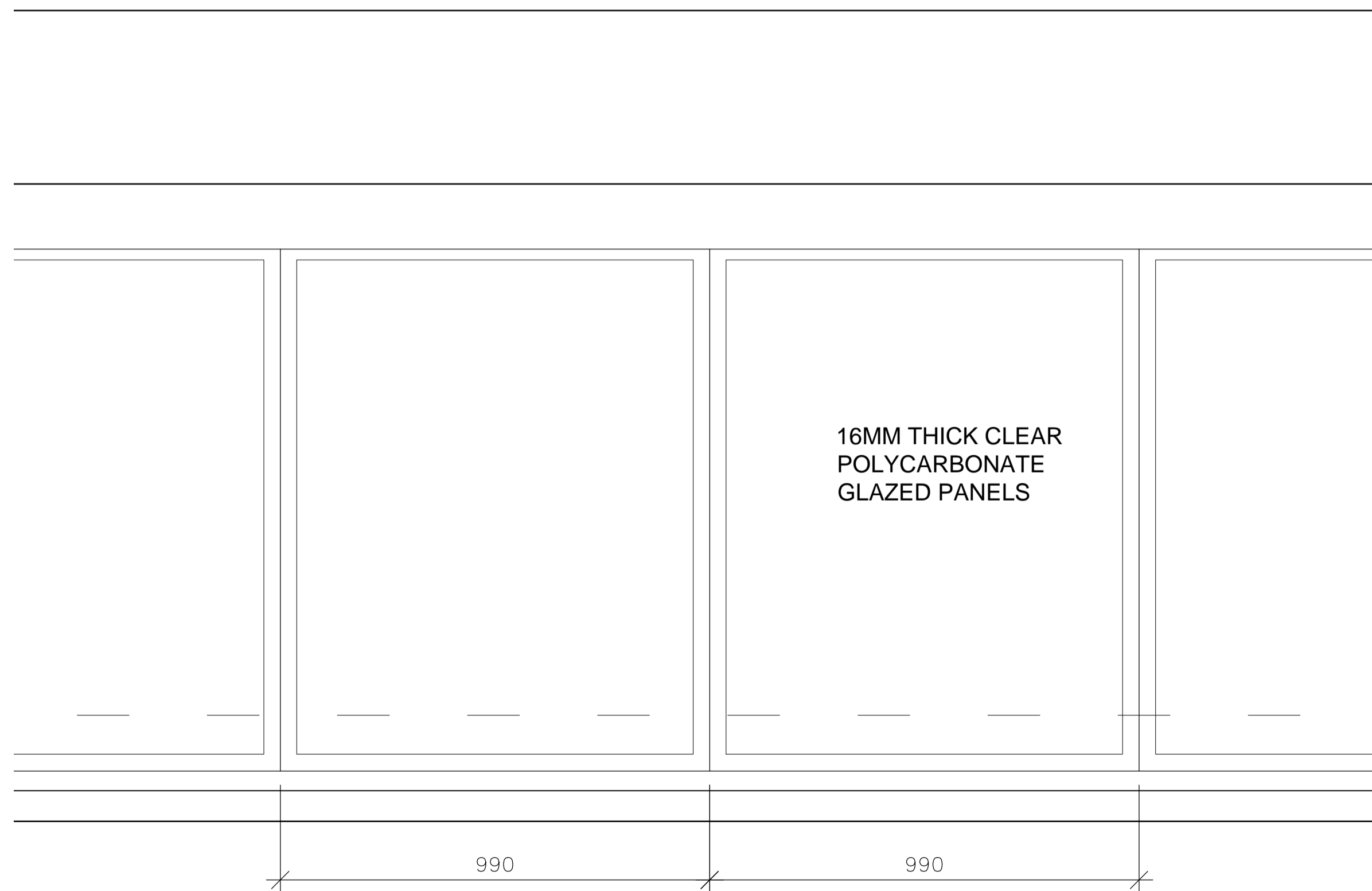


BALCONY SECTION (Scale 1:10)



DETAIL SECTION (Scale 1:5)



PLAN (Scale 1:10)

NOTES:
 Report all discrepancies, errors and omissions
 Do not scale from this drawing.
 Verify all dimensions on site before commencing any work or preparing shop drawings.
 All materials, components and workmanship are to comply with all the relevant British Standards, Codes of Practice, and appropriate manufacturers recommendations that from time to time shall apply.
 For all specialist work, see relevant drawings.
 This drawing and design are copyright of PELLINGS LLP

PRELIMINARY

Rev	Date	Description	Name

Pellings

Pellings LLP
 Northside House Mount Pleasant Barnet EN4 9EB
 t 020 8441 8500 f 020 8441 4616 e barnet@pellings.co.uk
 www.pellings.co.uk
 Architecture & Planning ■ Building Surveying ■ Project Management ■
 Cost Consultancy ■ CDM Co-ordination

CLIENT
 LONDON BOROUGH OF CAMDEN

PROJECT
 KENBROOK HOUSE
 LEIGHTON ROAD
 LONDON NW5 2QN

TITLE
 PROPOSED GLAZED CANOPY
 PANEL DETAILS

DATE 12/07/2021	SCALE VARIES @A1	DRAWN MV
--------------------	---------------------	-------------

DRAWING No.
252 | 0570 | 105 | -