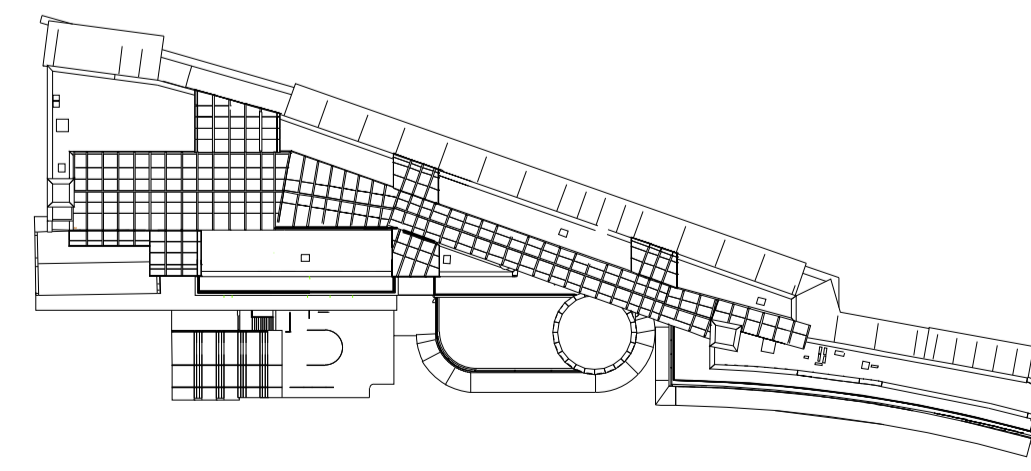
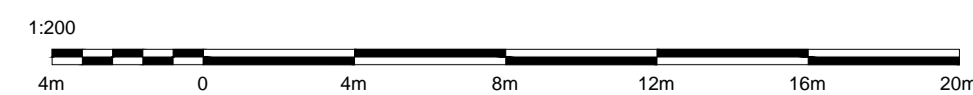


01 SOUTH ELEVATION  
SCALE: 1:200



01

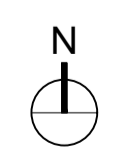
# LABTECH

**NOTES:**  
 Drawings to be read in conjunction with all other architectural & design consultant information.  
 Site dimensions are to be confirmed on site by contractor or joiner prior to construction.  
 Do not scale from this drawing.

REV	BY	DESCRIPTION	DATE

PROJECT NAME:  
**Atrium - As Proposed**

DRAWING TITLE:  
**South Elevation**



SCALE: 1:200	SIZE: A1	DATE: 22/10/22	BY: JA	STATUS:
PROJECT REF: ATRIUM	DRAWING NUMBER: A210	REVISION:		



01 NORTH ELEVATION  
SCALE: 1:200



# LABTECH

NOTES:  
Drawings to be read in conjunction with all other architectural & design consultant information.  
Site dimensions are to be confirmed on site by contractor or joiner prior to construction.  
Do not scale from this drawing.

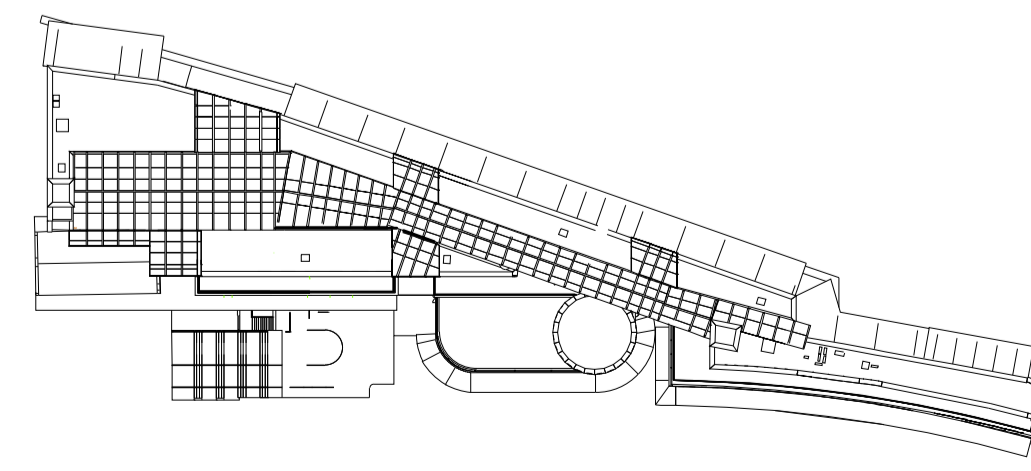
REV	BY	DESCRIPTION	DATE

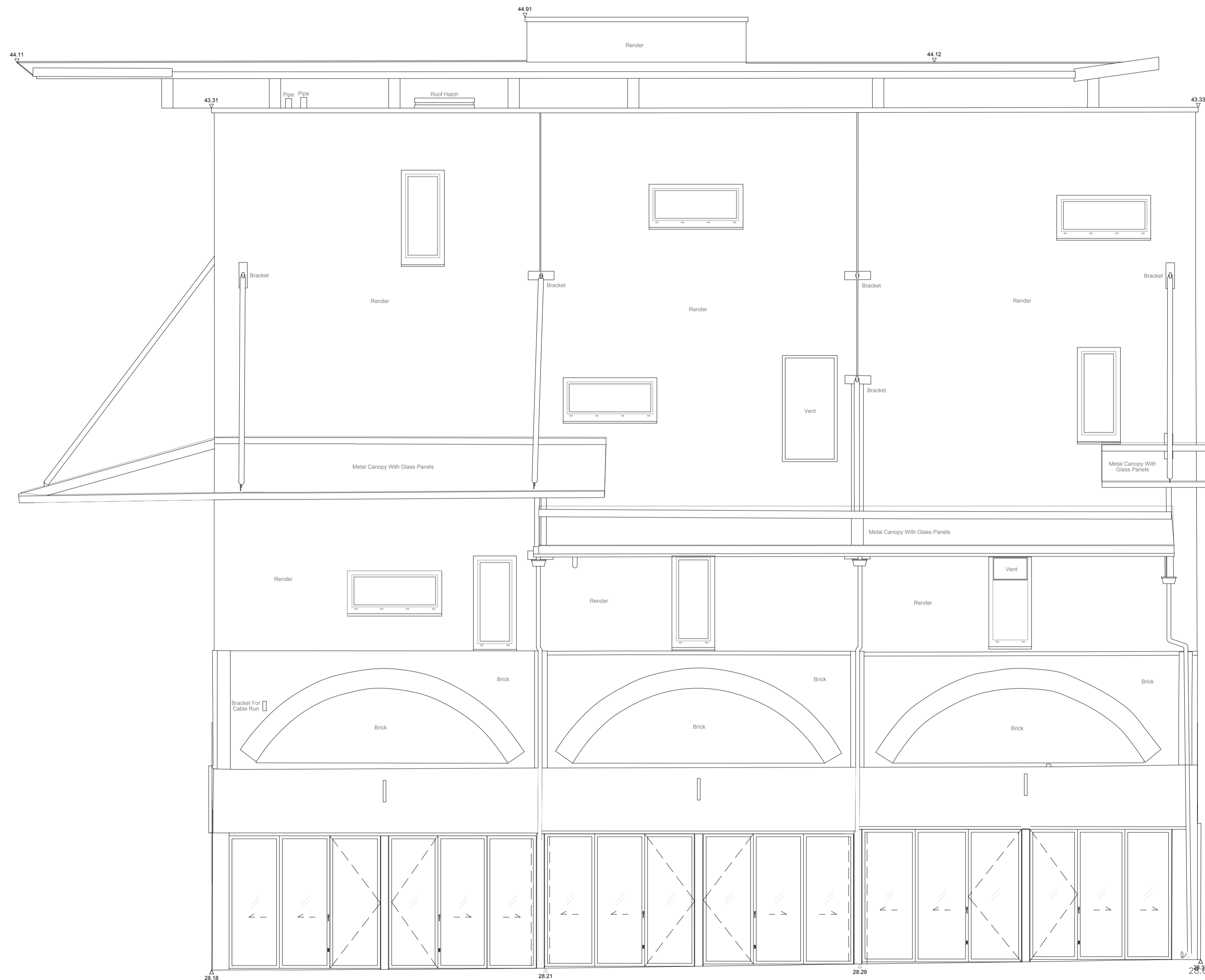
PROJECT NAME:  
Atrium - As Proposed

DRAWING TITLE:  
North Elevation

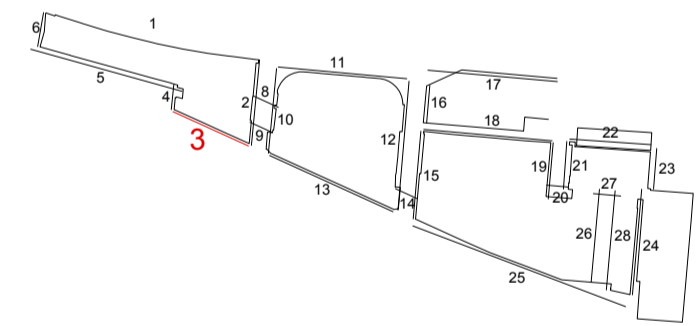


SCALE:	SIZE:	DATE:	BY:	STATUS:
1:200	A1	22/11/22	JA	
PROJECT REF:	DRAWING NUMBER:	REVISION:		
ATRIUM	A221			





01 SOUTH ELEVATION 3  
1:50

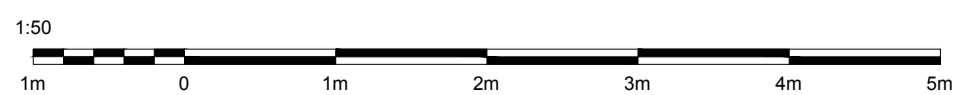


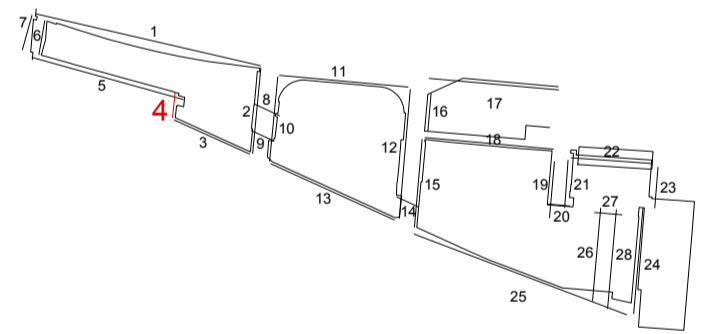
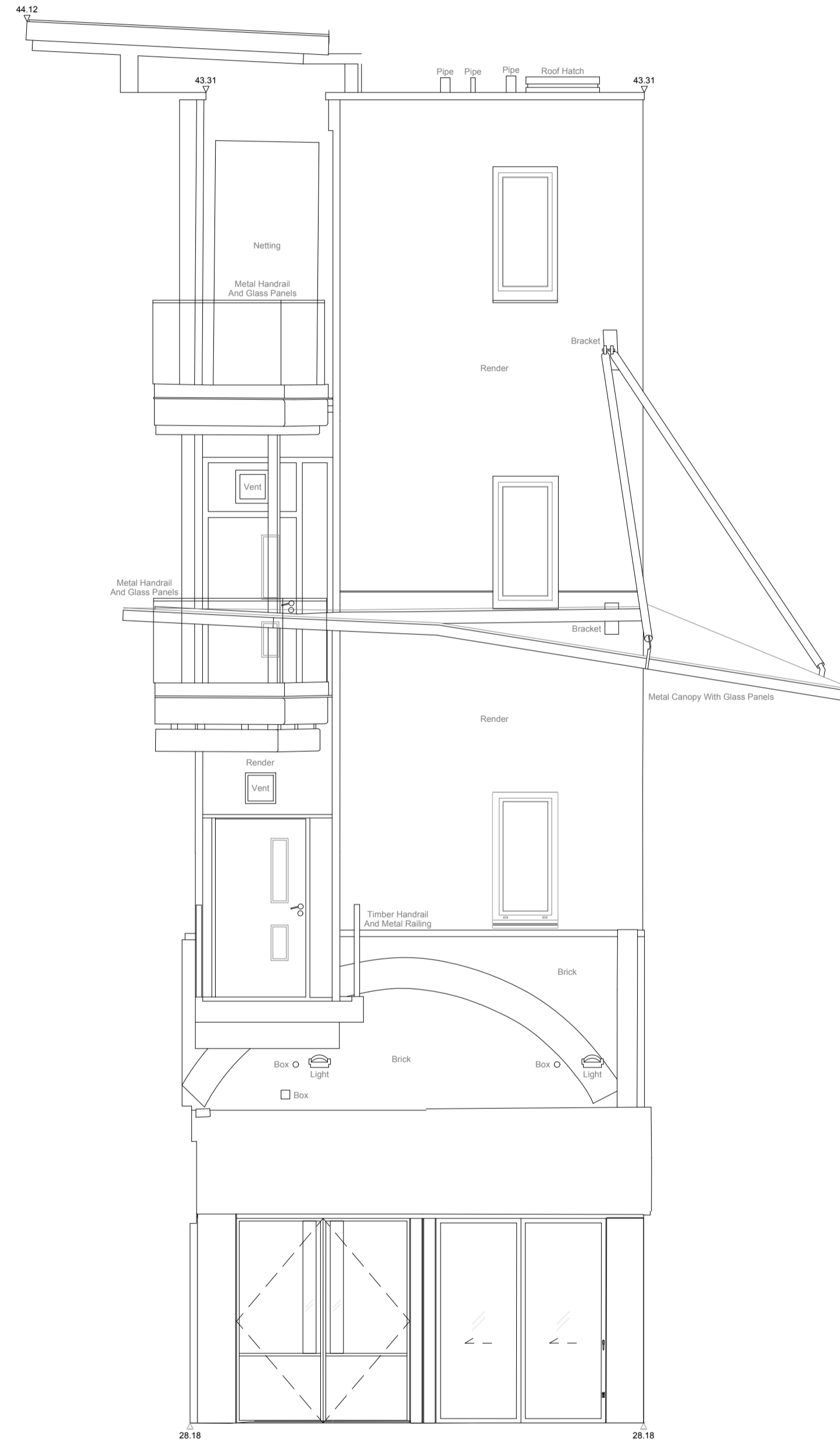
# LABTECH

**NOTES:**  
 Drawings to be read in conjunction with all other architectural & design consultant information.  
 Site dimensions are to be confirmed on site by contractor or joiner prior to construction.  
 Do not scale from this drawing.

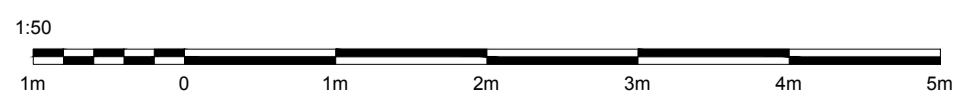
REV	BY	DESCRIPTION	DATE

PROJECT NAME: <b>Atrium - As Proposed</b>				
DRAWING TITLE: <b>South Elevation - Elevation 3</b>				
SCALE: 1:50	SIZE: A1	DATE: 23/11/22	BY: JA	STATUS:
PROJECT REF: <b>ATRIUM</b>	DRAWING NUMBER: <b>A400</b>	REVISION:		





01 SOUTH ELEVATION 4  
1:50



# LABTECH

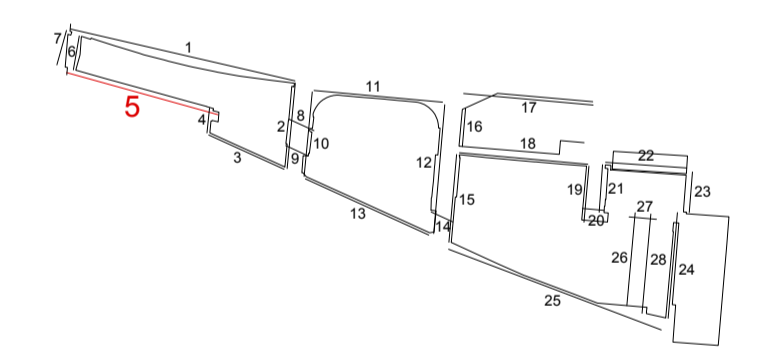
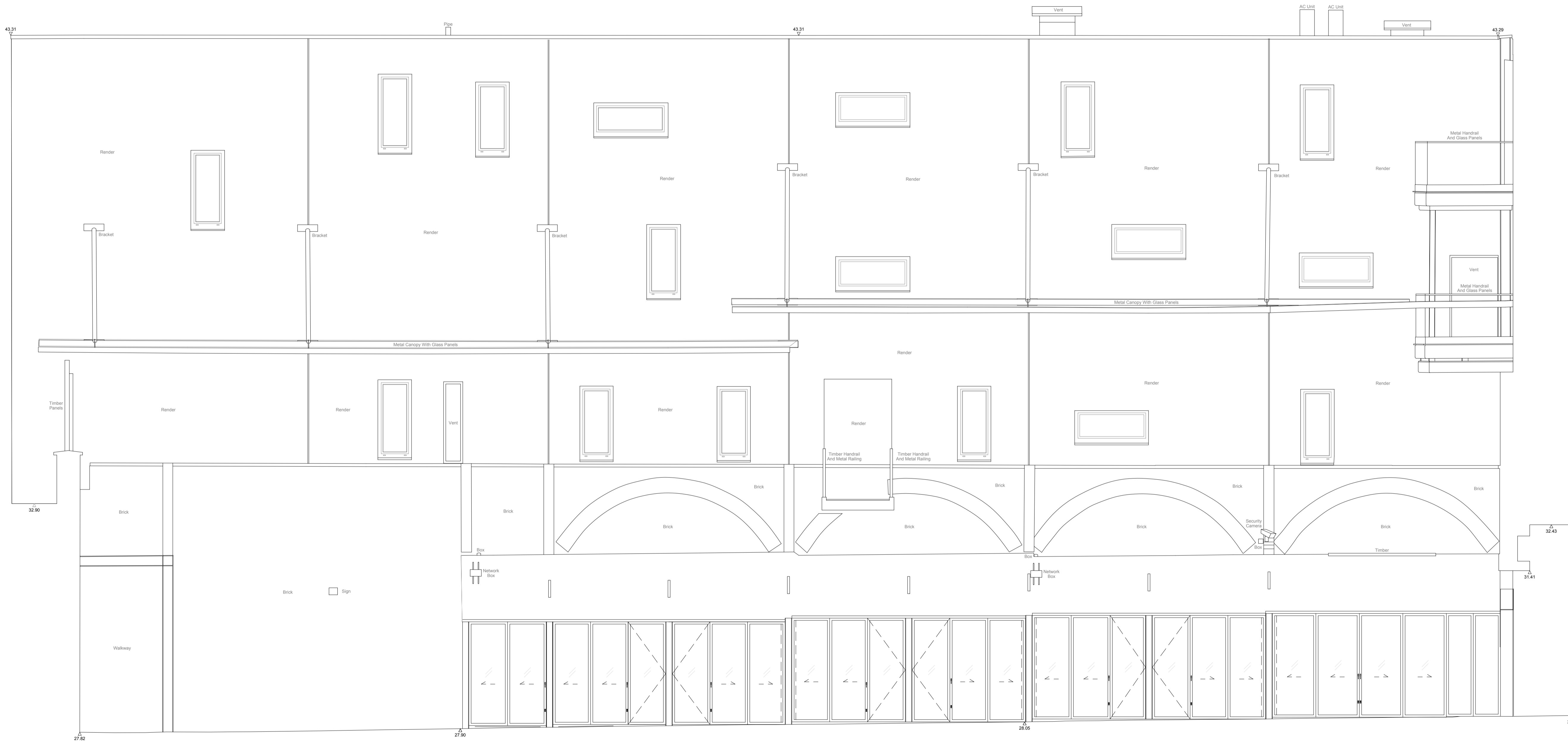
**NOTES:**  
 Drawings to be read in conjunction with all other architectural & design consultant information.  
 Site dimensions are to be confirmed on site by contractor or joiner prior to construction.  
 Do not scale from this drawing.

REV	BY	DESCRIPTION	DATE

PROJECT NAME:  
**Atrium - As Proposed**

DRAWING TITLE:  
**South Elevation - Elevation 4**

SCALE:	SIZE:	DATE:	BY:	STATUS:
1:50	A1	23/11/22	JA	
PROJECT REF:	DRAWING NUMBER:	REVISION:		
ATRIUM	A401			



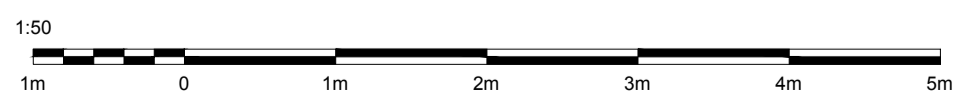
01 SOUTH ELEVATION 5  
1:50

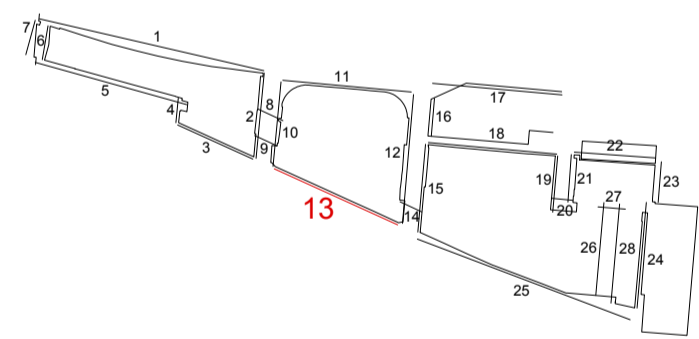
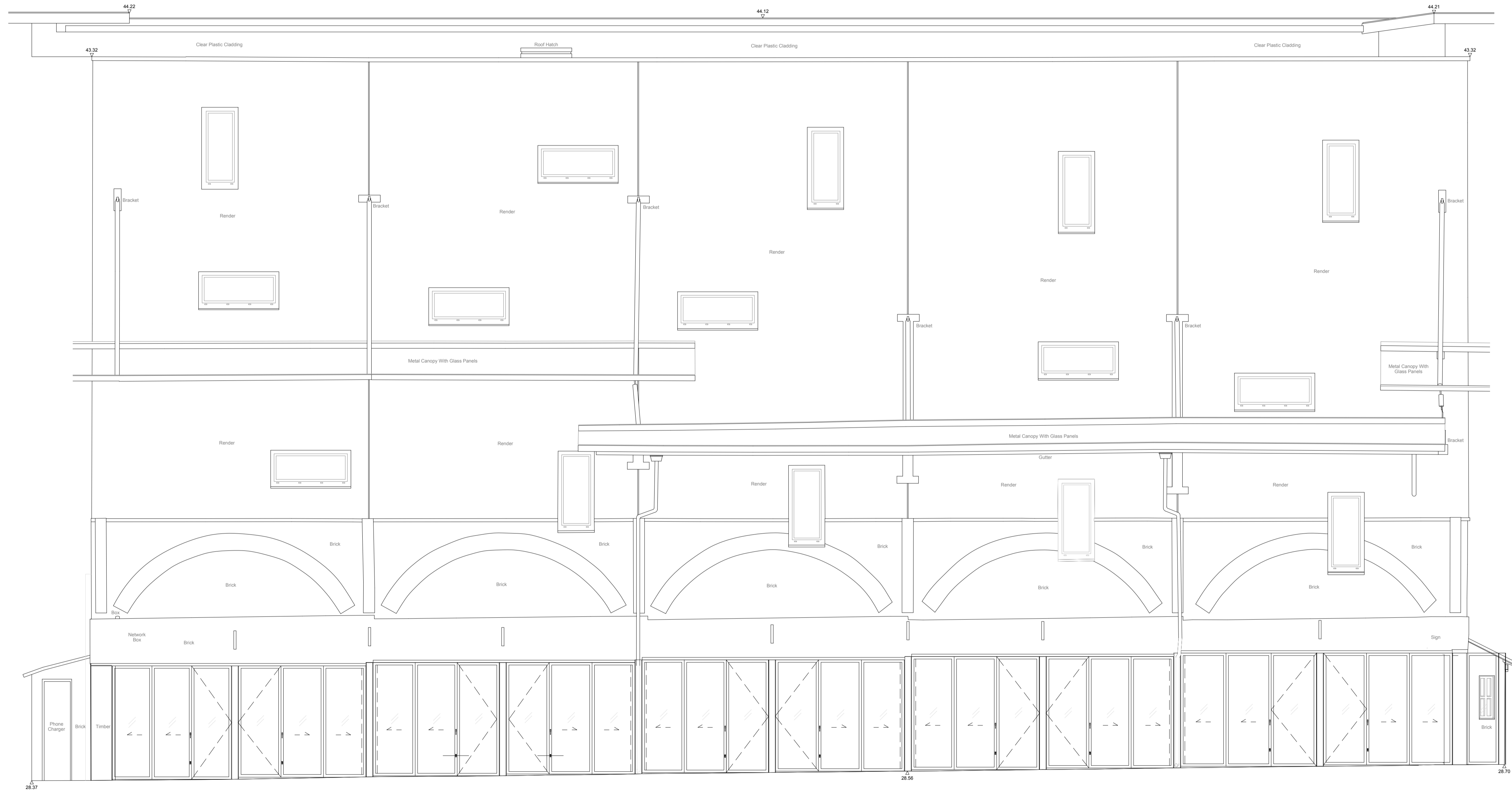
# LABTECH

**NOTES:**  
 Drawings to be read in conjunction with all other architectural & design consultant information.  
 Site dimensions are to be confirmed on site by contractor or joiner prior to construction.  
 Do not scale from this drawing.

REV	BY	DESCRIPTION	DATE

PROJECT NAME: <b>Atrium - As Proposed</b>				
DRAWING TITLE: <b>South Elevation - Elevation 5</b>				
SCALE: 1:50	SIZE: A1	DATE: 23/11/22	BY: JA	STATUS:
PROJECT REF: <b>ATRIUM</b>	DRAWING NUMBER: <b>A402</b>	REVISION:		



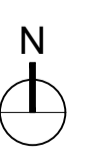


# LABTECH

**NOTES:**  
 Drawings to be read in conjunction with all other architectural & design consultant information.  
 Site dimensions are to be confirmed on site by contractor or joiner prior to construction.  
 Do not scale from this drawing.

REV	BY	DESCRIPTION	DATE

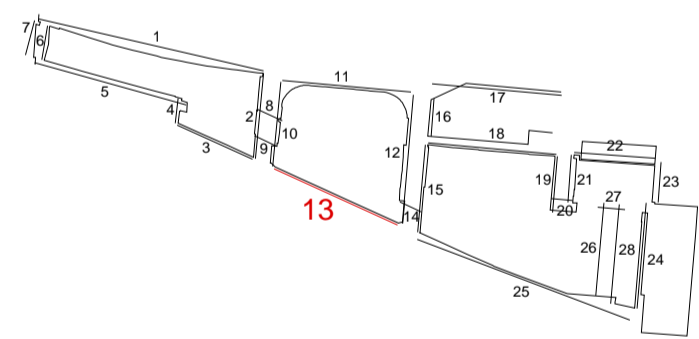
PROJECT NAME: <b>Atrium - As Proposed</b>				
DRAWING TITLE: <b>South Elevation - Elevation 13</b>				
SCALE: 1:50	SIZE: A1	DATE: 23/11/22	BY: JA	STATUS:
PROJECT REF: <b>ATRIUM</b>	DRAWING NUMBER: <b>A403</b>	REVISION:		



01 SOUTH ELEVATION - ELEVATION 13  
 SCALE: 1:50

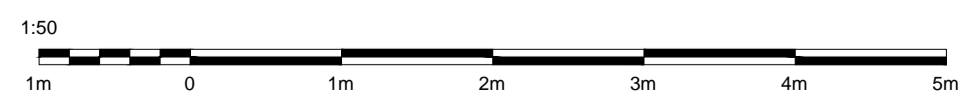






01 ELEVATION NORTH 18  
1:50

Area outside scope of this application



# LABTECH

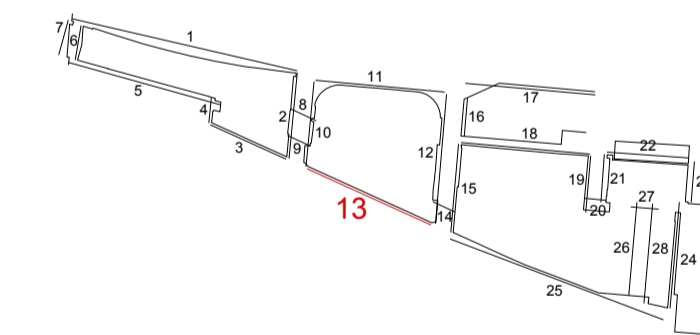
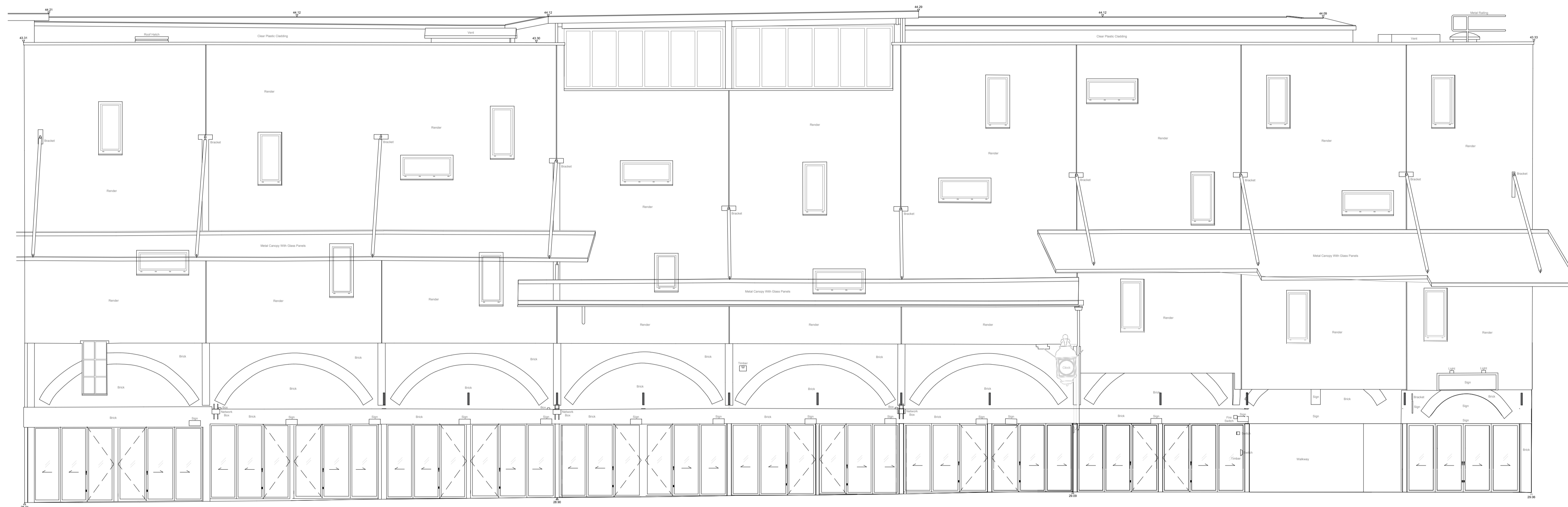
**NOTES:**  
 Drawings to be read in conjunction with all other architectural & design consultant information.  
 Site dimensions are to be confirmed on site by contractor or joiner prior to construction.  
 Do not scale from this drawing.

REV	BY	DESCRIPTION	DATE

PROJECT NAME:  
**Atrium - As Proposed**

DRAWING TITLE:  
**South Elevation - Elevation 18**

SCALE:	SIZE:	DATE:	BY:	STATUS:
1:50	A1	23/11/22	JA	
PROJECT REF:	DRAWING NUMBER:			REVISION:
ATRIUM	A404			



01 ELEVATION SOUTH 25  
1:75



# LABTECH

**NOTES:**  
 Drawings to be read in conjunction with all other architectural & design consultant information.  
 Site dimensions are to be confirmed on site by contractor or joiner prior to construction.  
 Do not scale from this drawing.

REV	BY	DESCRIPTION	DATE

PROJECT NAME:  
**Atrium - As Proposed**

DRAWING TITLE:  
**South Elevation - Elevation 25**

SCALE: 1:75	SIZE: A1	DATE: 23/11/22	BY: JA	STATUS:
PROJECT REF: ATRIUM	DRAWING NUMBER: A405	REVISION:		