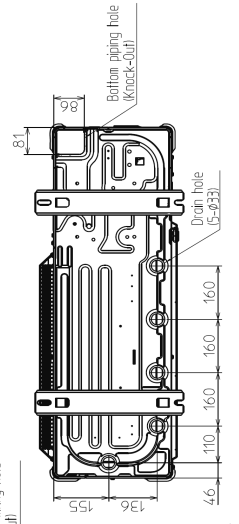
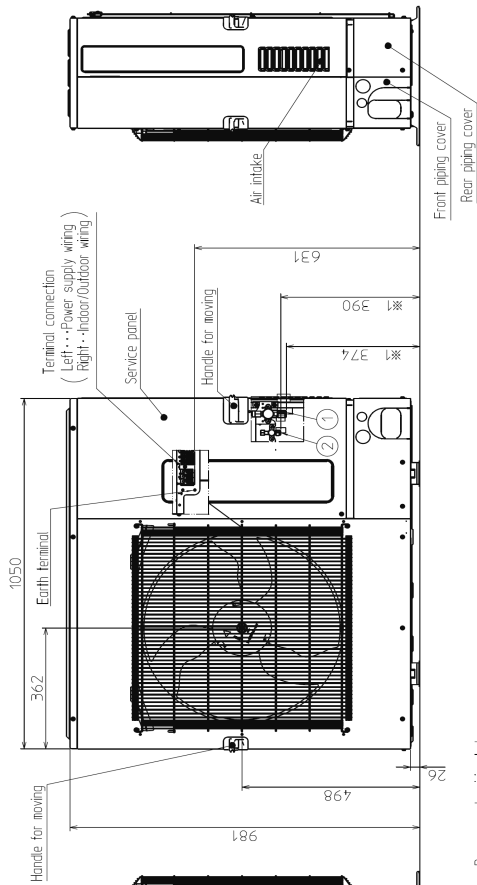
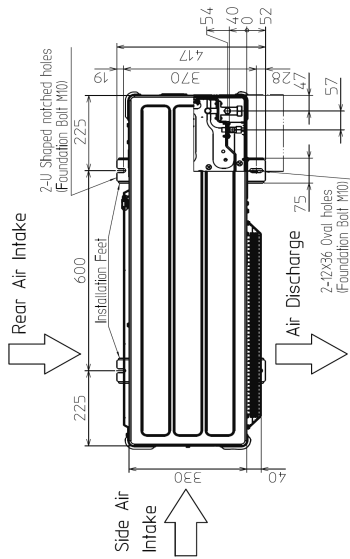


2. PUZ-M•KA2

Unit : mm

- PUZ-M100VKA2
- PUZ-M100YKA2
- PUZ-M125VKA2
- PUZ-M125YKA2
- PUZ-M140VKA2
- PUZ-M140YKA2

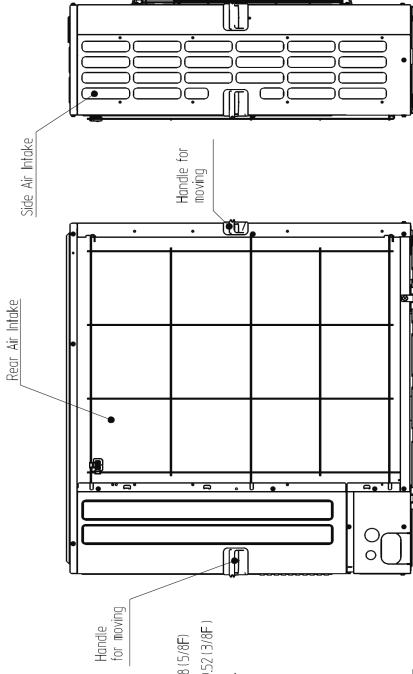


1 FREE SPACE (Around the unit)
The diagram below shows a basic example. Explanation of particular details are given in the installation manuals etc.

2 SERVICE SPACE
Dimensions of space needed for service access are shown in the below diagram.

3 FOUNDATION BOLTS
Please secure the unit firmly with 4 foundation (M10) bolts. (Bolts and washers must be purchased locally).

4 PIPING-WIRING DIRECTIONS
Piping and wiring connections can be made from 4 directions: Front, Right, Rear and Below.



Example Of Notes

- ① ...Refrigerant GAS pipe connection (FLARE)φ5.88 (15/8F)
- ② ...Refrigerant LIQUID pipe connection (FLARE)φ 8.52 (13/8F)
- ※1...Indication of STOP VALVE connection location.

Piping Knock-Out Hole Details

