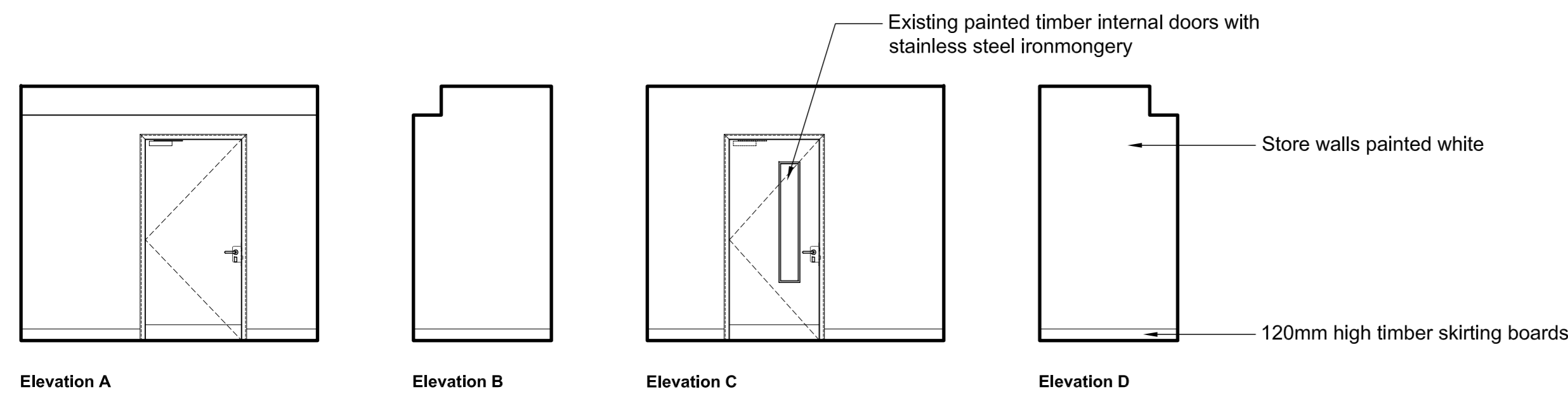
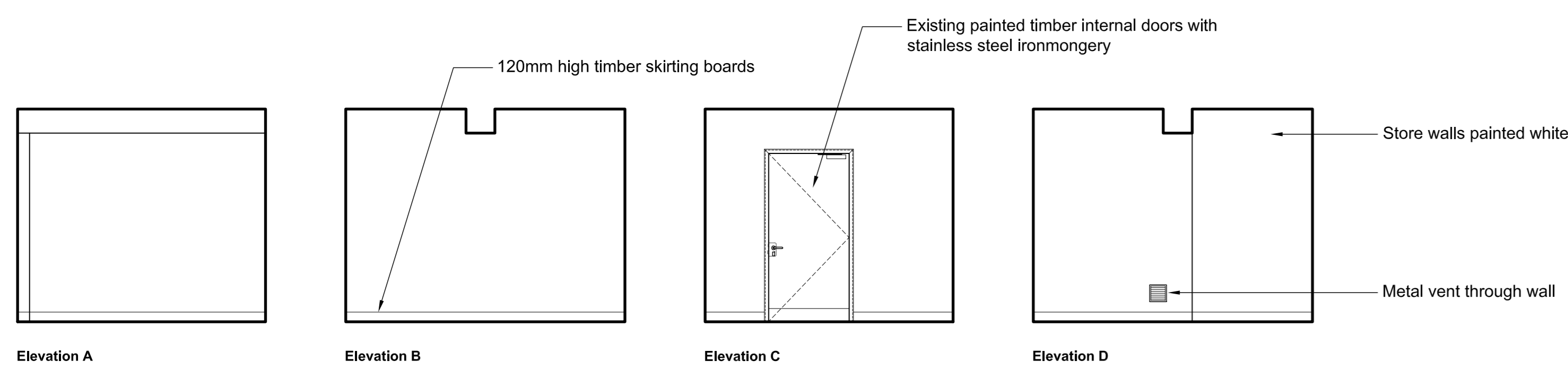


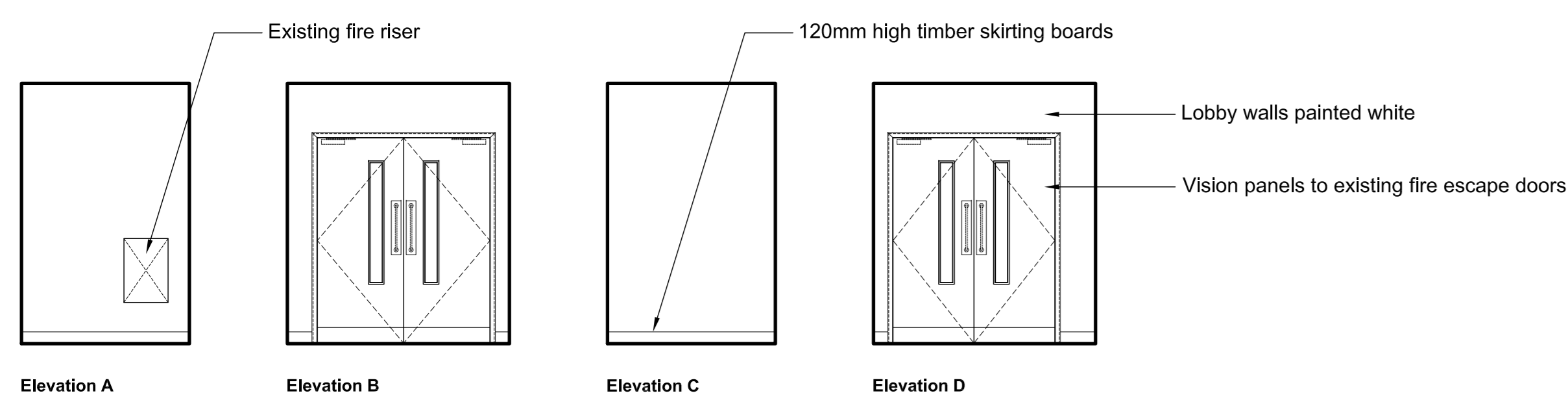
35 EXISTING INTERNAL ELEVATIONS - 08.00 LOBBY
Scale 1:50 @ A0



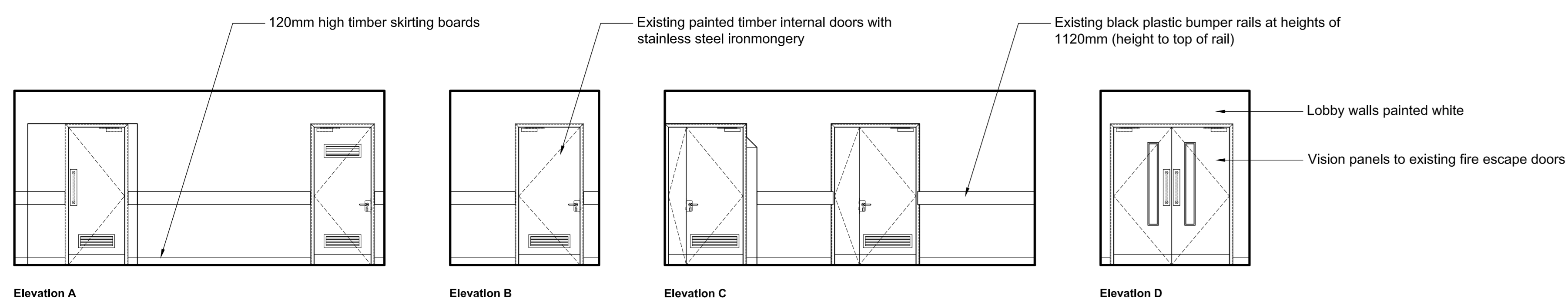
36 EXISTING INTERNAL ELEVATIONS - 08.01 LOBBY
Scale 1:50 @ A0



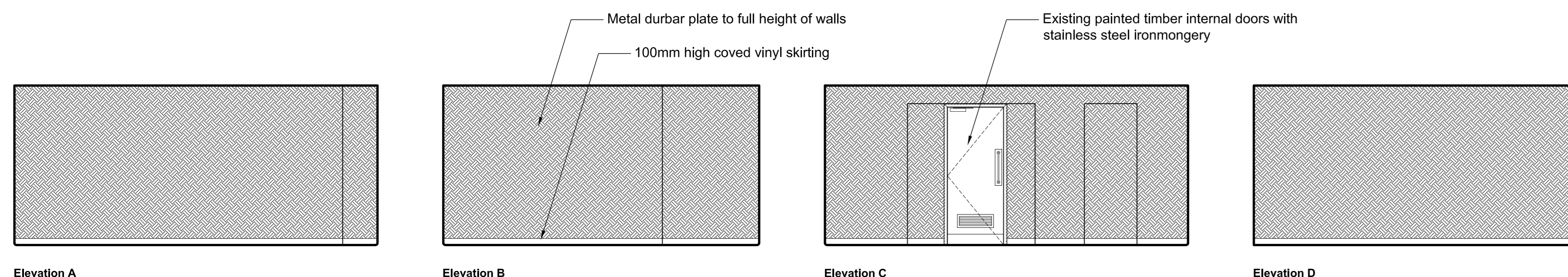
37 EXISTING INTERNAL ELEVATIONS - 08.02 EQUIPMENT STORE
Scale 1:50 @ A0



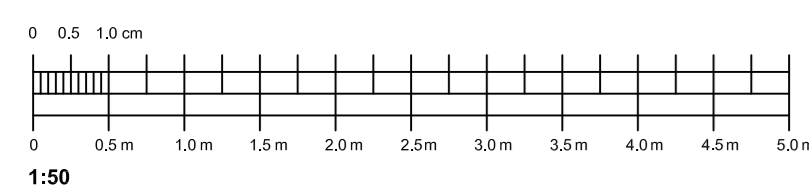
38 EXISTING INTERNAL ELEVATIONS - 09.00 LOBBY
Scale 1:50 @ A0



39 EXISTING INTERNAL ELEVATIONS - 10.00 LOBBY
Scale 1:50 @ A0



40 EXISTING INTERNAL ELEVATIONS - 10.01 EQUIPMENT STORE
Scale 1:50 @ A0



© 2017 STR ALA architects. All rights reserved. This drawing is copyright. The data to be used on any other site is not to be used. The drawing must only be used for the purpose for which it is issued.

no.	date	by	revision details	Ckd	App
/	11/11/22	JW	FOR LISTED BUILDING CONSENT	GO	ASF

STR ALA architects
3rd Floor, 9 Stevenson Square
Northern Quarter, Manchester, M1 1JH
Tel: 0161 236 5866
E: office@strala.co.uk

LN ER

client
LONDON NORTH EASTERN RAILWAY

NETWORK RAIL TECHNICAL APPROVAL
AUTHORISED FOR ISSUE:
DESIGNER.....
CHECKER.....
AUTHORISER (CRE).....
DATE.....

APPROVED FOR FORM ???
CEM.....
DATE.....

project
ELR: ECM1 MILEAGE: 0m to OS Ref: TQ322830
LNER CATERING SERVICE CENTRES
LONDON KINGS CROSS STATION

drawing status
FOR LISTED BUILDING CONSENT

drawing 950

Existing Internal Elevations
Sheet 7 of 8

drawn by	date	checked by	date
JW	11/11/22	GO	11/11/22

CRE Approved by	date	CEM Reviewed by	date
ASF	11/11/22	RES	11/11/22

Network Rail dwg no.	revision no.	shd no.
/	/	7 of 8

consultant dwg no.	scale	shd size
2949-01-004-07	1 : 50	A0