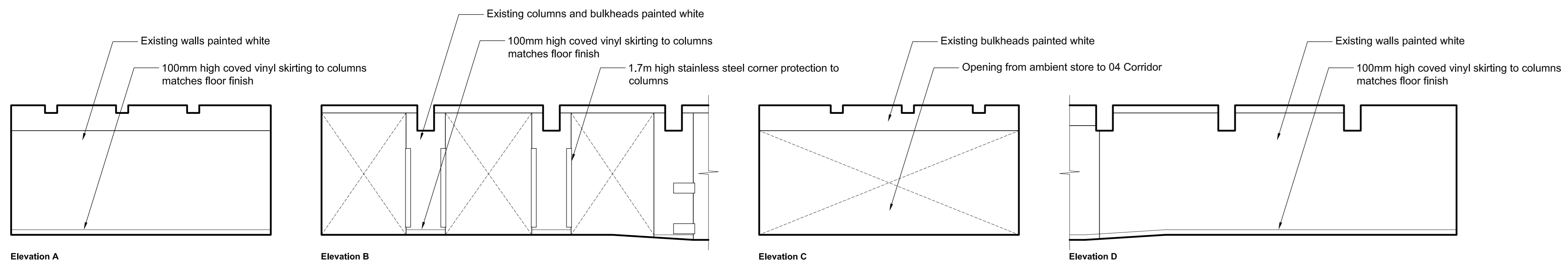
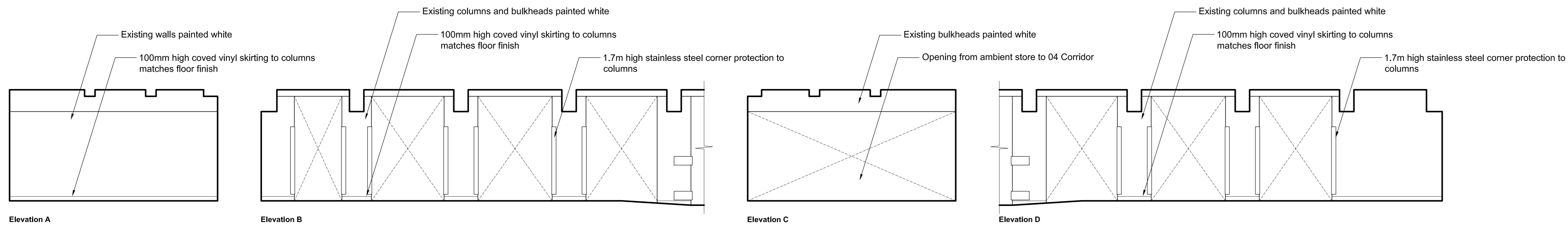


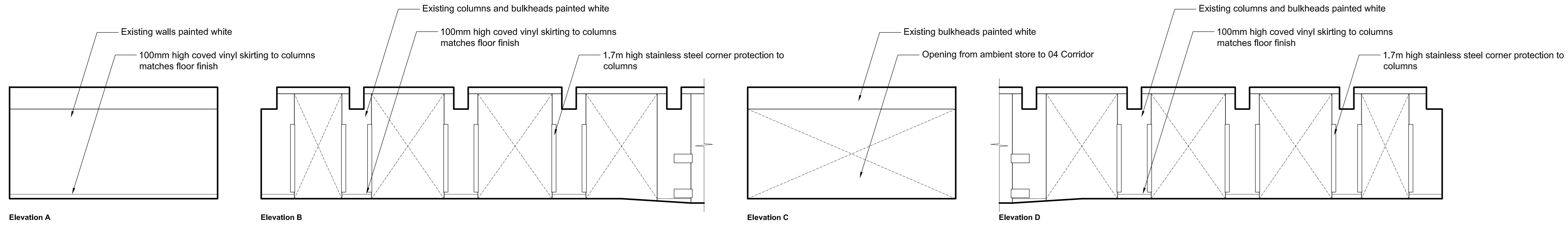
18 EXISTING INTERNAL ELEVATIONS - 04 CORRIDOR



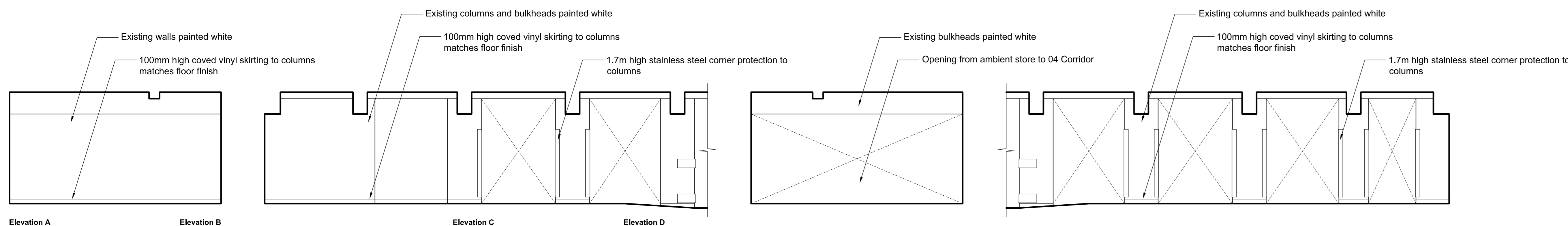
19 EXISTING INTERNAL ELEVATIONS - 04.01 AMBIENT STORE



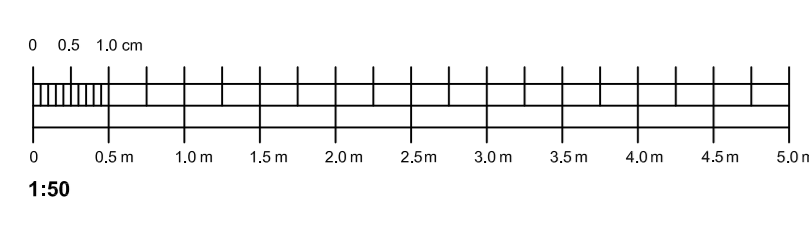
20 EXISTING INTERNAL ELEVATIONS - 04.02 AMBIENT STORE



21 EXISTING INTERNAL ELEVATIONS - 04.03 AMBIENT STORE



22 EXISTING INTERNAL ELEVATIONS - 04.04 AMBIENT STORE



© 2017 STRA architects. All rights reserved. This drawing is for the use of the client only and is not to be used for any other purpose without the written consent of STRA architects. The client is to be notified of any changes to the drawing.

no.	date	by	revision details	Ckd	App
1	11/11/22	JW	FOR LISTED BUILDING CONSENT	GO	ASF

STRALA architects
 3rd Floor, 9 Stevenson Square
 Northern Quarter, Manchester, M1 1JH
 Tel: 0161 236 5866
 E: office@strala.co.uk

LNER

client
 LONDON NORTH EASTERN RAILWAY

NETWORK RAIL TECHNICAL APPROVAL
 AUTHORISED FOR ISSUE:

DESIGNER.....
 CHECKER.....
 AUTHORISER (CRE).....
 DATE.....

APPROVED FOR FORM ???
 CEM.....
 DATE.....

project
 ELR: ECM1 MILEAGE: 0m 0ch OS Ref: TQ322830
 LNER CATERING SERVICE CENTRES
 LONDON KINGS CROSS STATION

drawing status
FOR LISTED BUILDING CONSENT

drawing title
**Existing Internal Elevations
 Sheet 4 of 8**

drawn by	date	checked by	date
JW	11/11/22	GO	11/11/22
CRE Approved by	date	CEM Reviewed by	date
ASF	11/11/22	RES	11/11/22

Network Rail dwg no.	revision no.	shd no.
	/	4 of 8

consultant dwg no.	scale	shd size
2949-01-004-04	1:50	A0