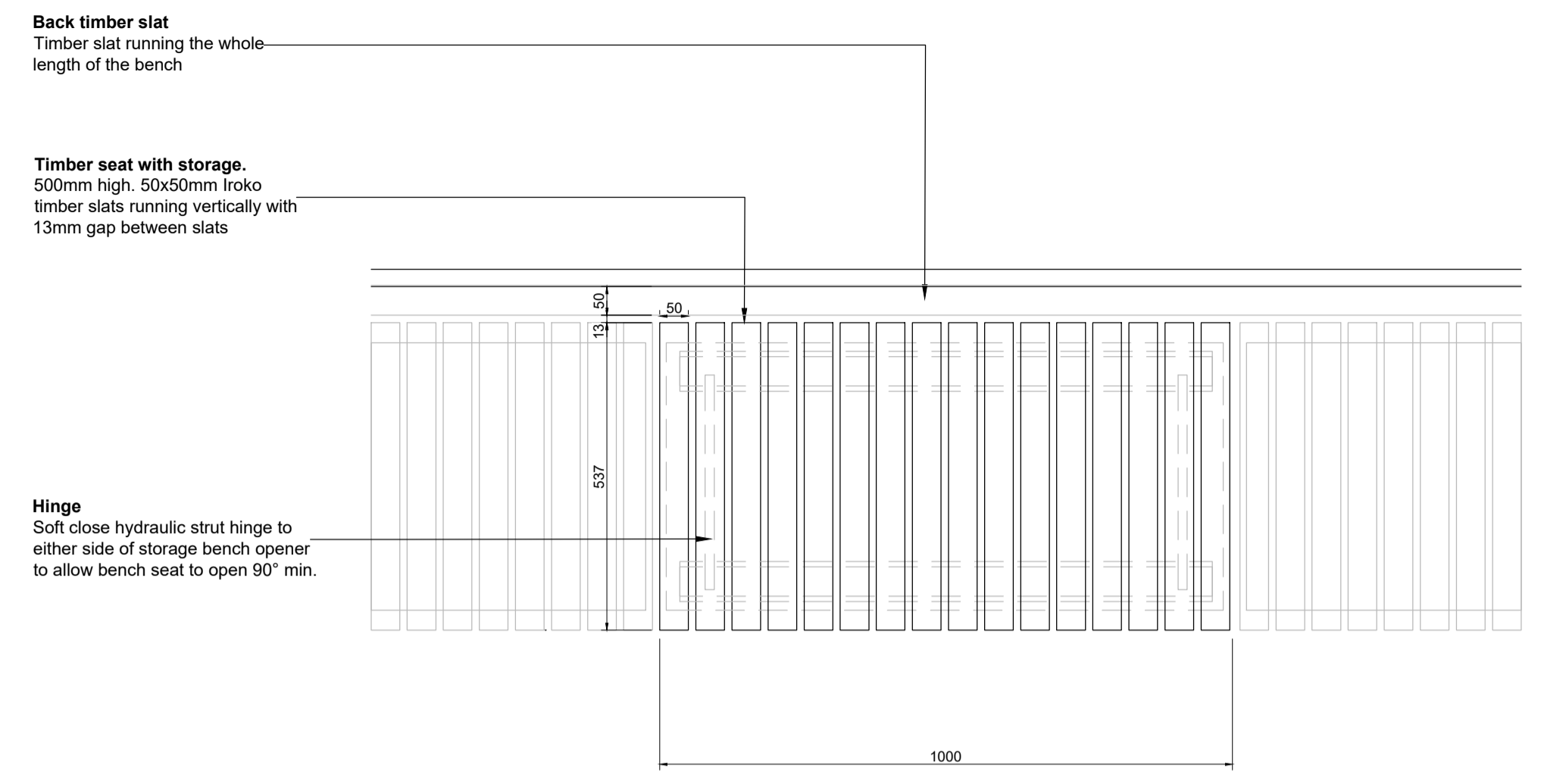
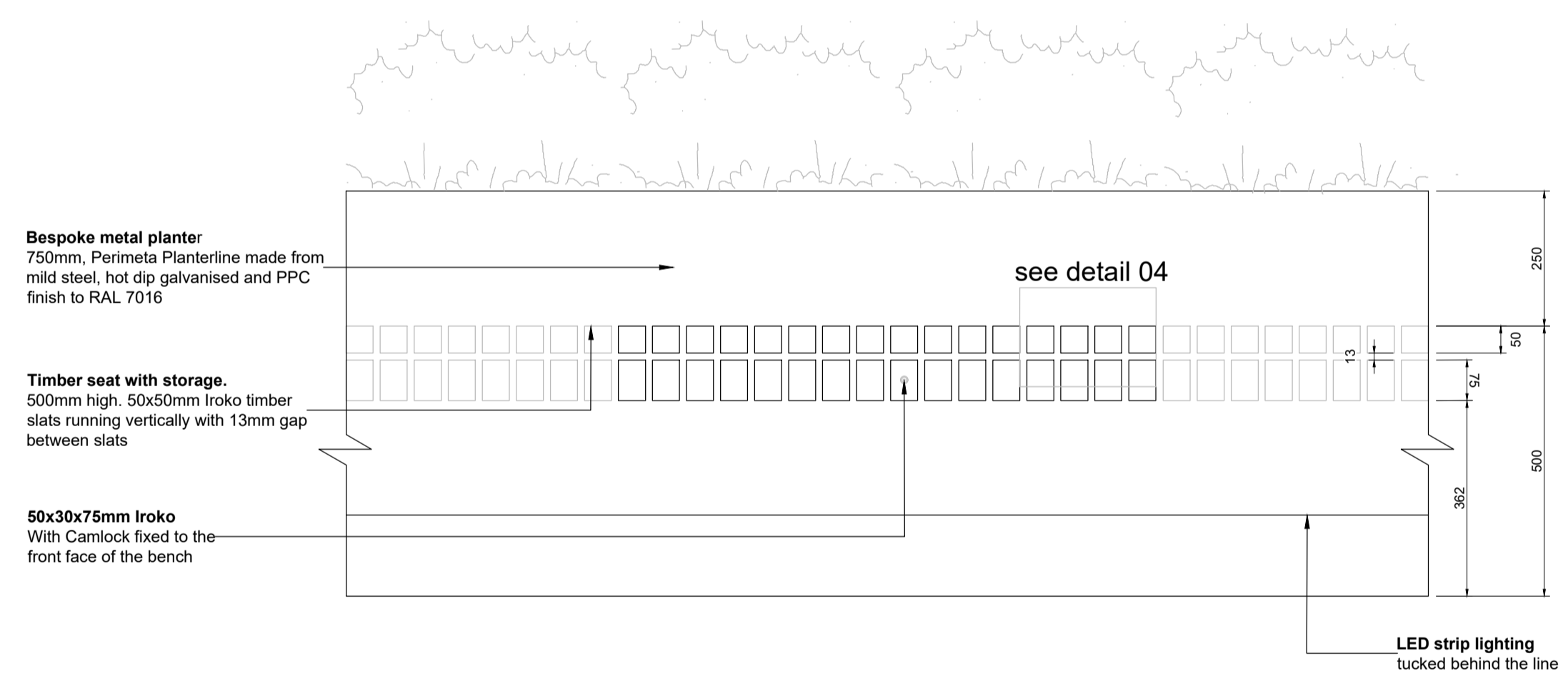


01 Typical plan view of normal bench
Scale: 1:10

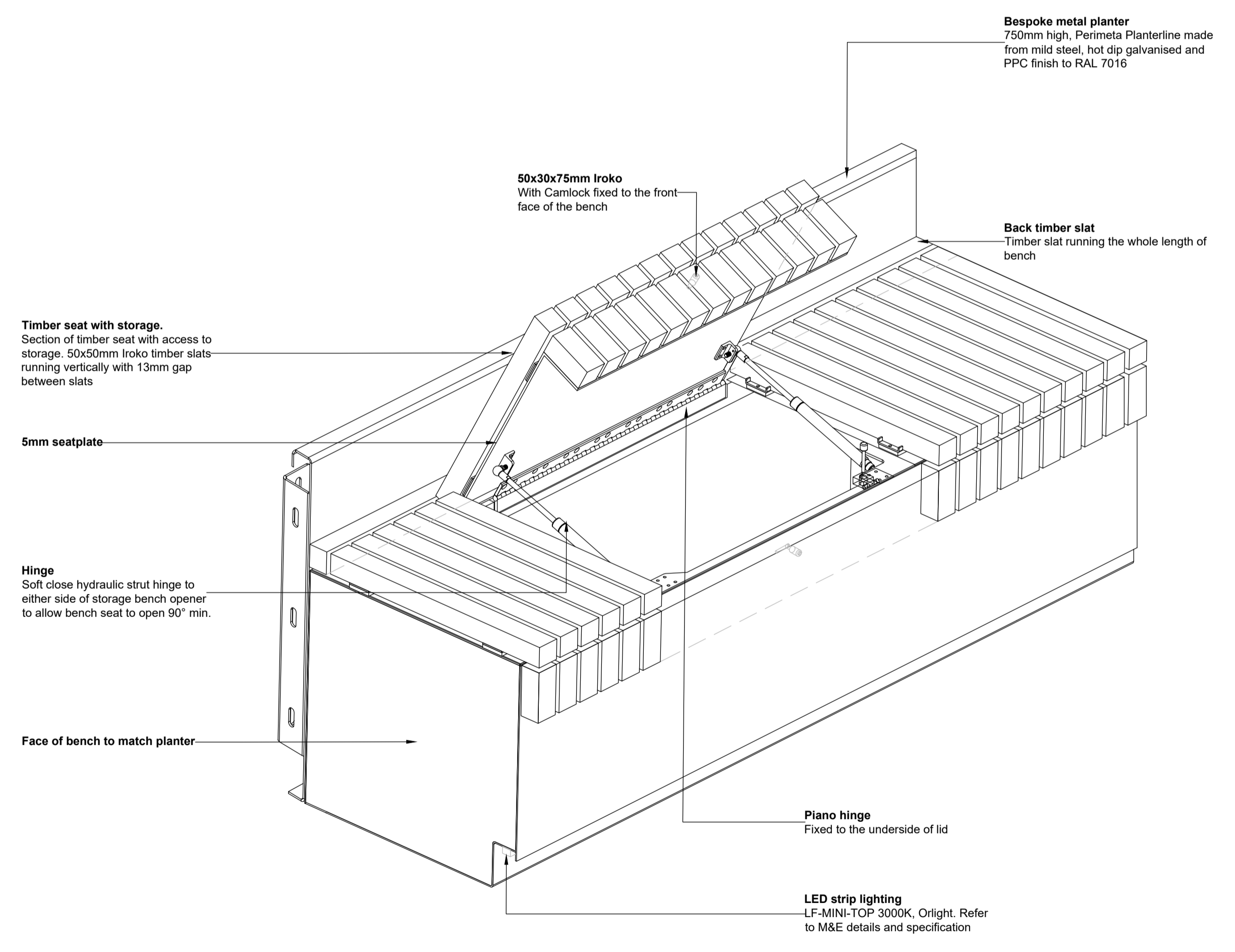


02 Typical plan view of storage bench
Scale: 1:10

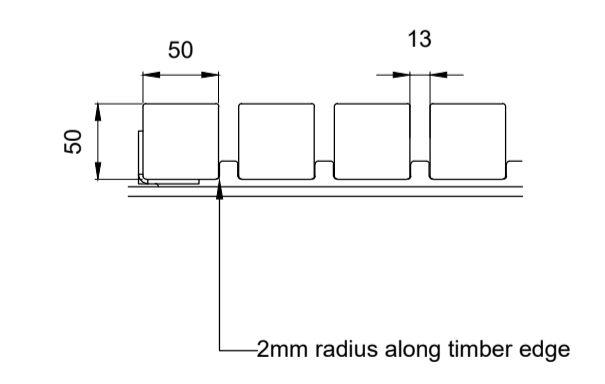
1000mm wide bench seat storage access



03 Typical elevation of bench with storage
Scale: 1:10



05 Perspective view of storage bench
Scale: 1:10



04 Close-up view of timber slats
Scale: 1:5

DO NOT SCALE FROM DRAWING

Drawing Information Copyright of Place Design + Planning Ltd. 2008 All Rights Reserved PLEASE NOTE: Figured dimensions take precedent over scale, do not scale from drawings. Inform Place Design + Planning Ltd of any discrepancies before works commence on site. All dimensions to be checked on site	SIGNIFICANT HEALTH, SAFETY & ENVIRONMENTAL INFORMATION RELATING TO CDM	Rev. Description date by checked	Notes: • Refer to drawings CW-PLA-ZZ-ZZ-RF-DR-LS-00006 for Roof Terrace Planters and Benches Location Plan.
	HEALTH:	C00 First Issue 04/03/22 BF GH	
	SAFETY:		
	ENVIRONMENTAL:		
IT IS ASSUMED ALL WORKS WILL BE CARRIED OUT BY A COMPETANT CONTRACTOR WORKING, WHERE APPROPRIATE, TO AN AGREED METHOD STATEMENT			

Rev. Description date by checked
C00 First Issue 04/03/22 BF GH

Client
SKANSKA

Project Title
Castlewood House

Drawing Title
Timber Bench Details - Roof terraces

Project Stage
Construction

Place Design + Planning Ltd
16 West Barnes Lane
London, SW20 0BU, UK
+44 208944 1940
+44 208944 1117

scale varies of A1 date 01/02/22 drw by BF ch by GH
drw no. rev no.
CW-PLA-ZZ-ZZ-RF-DR-LS-00421 C00

