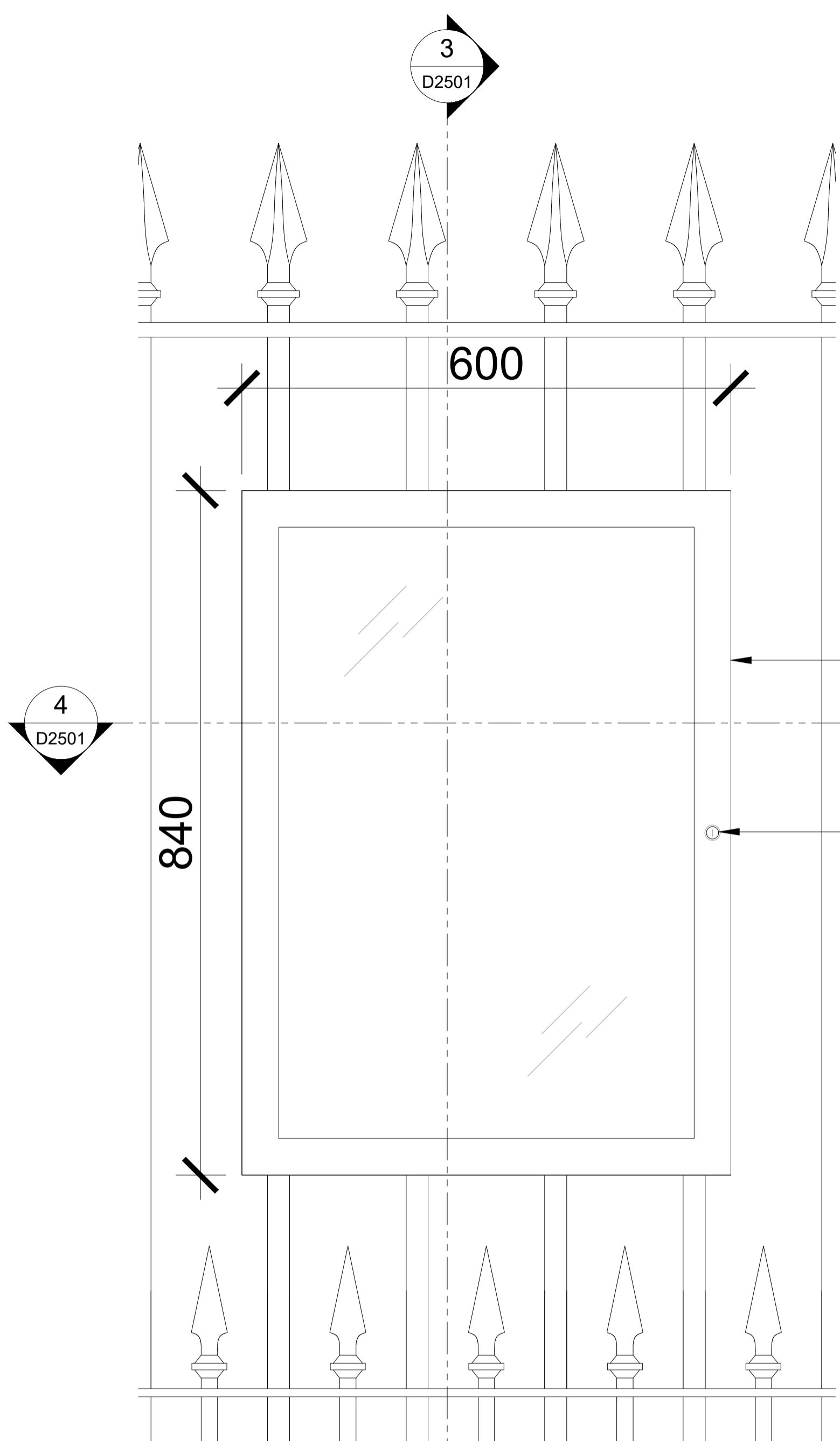
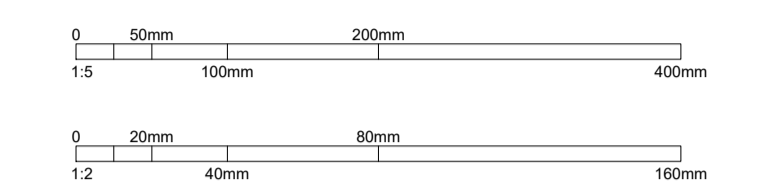
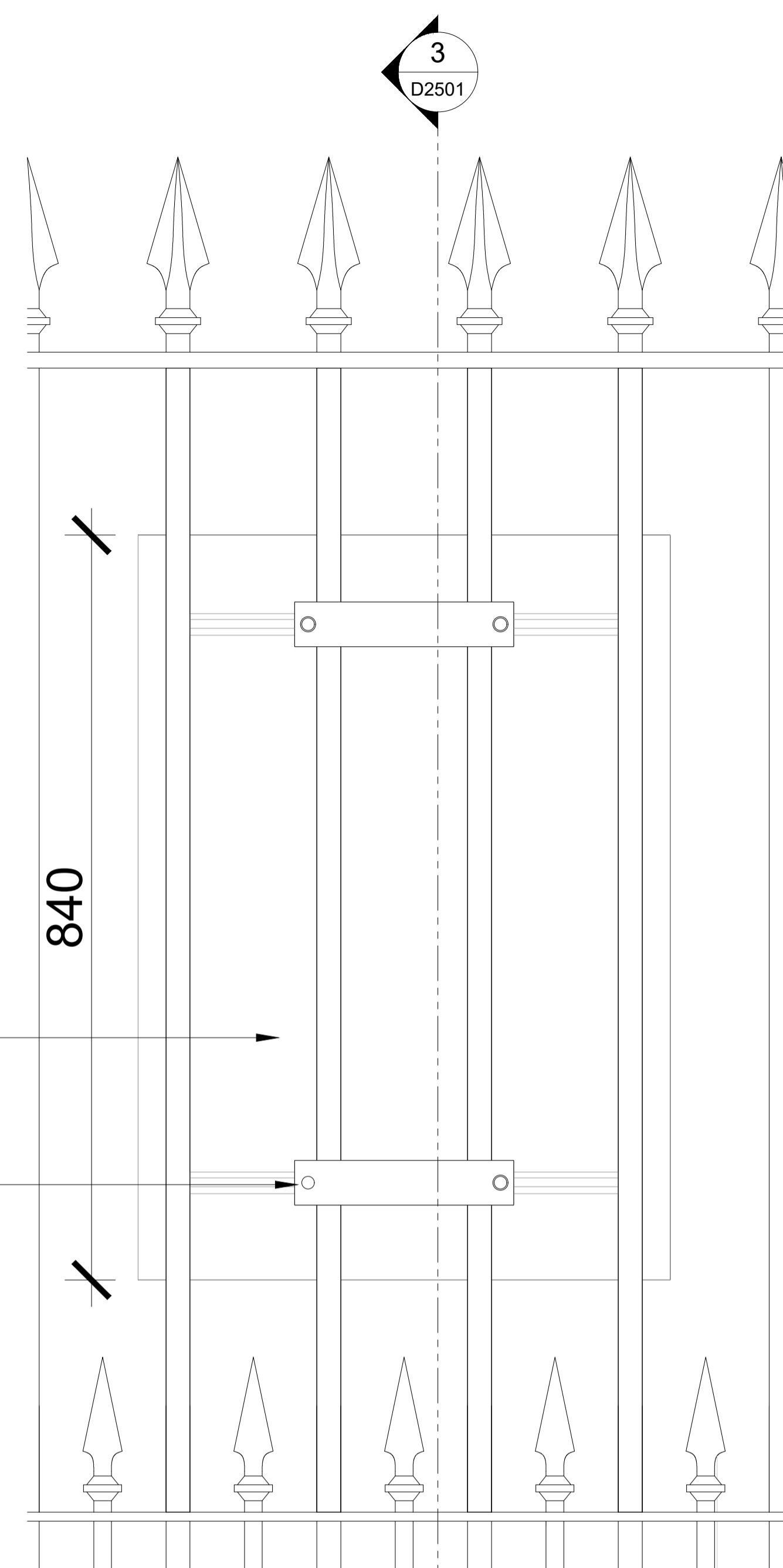


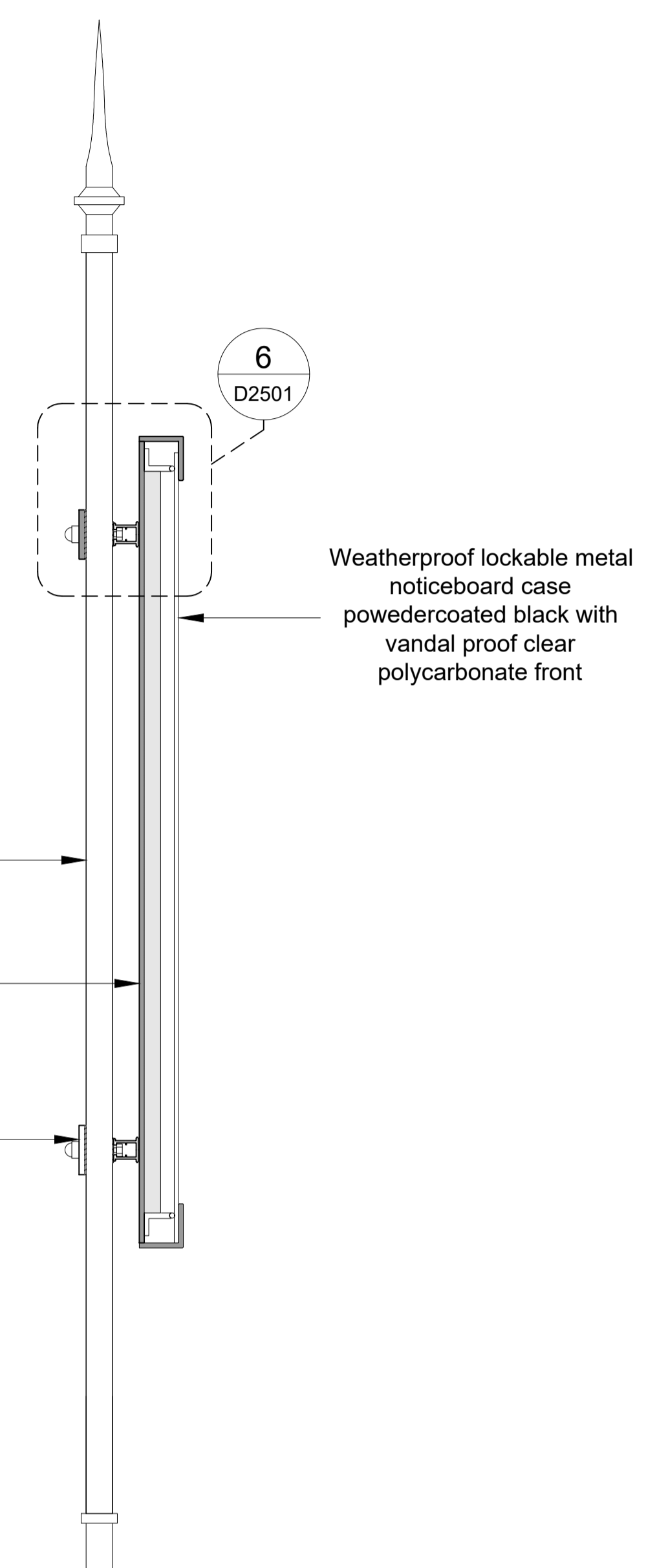
NOTES:  
 DO NOT SCALE. FIGURED DIMENSIONS ONLY TO BE TAKEN FROM THIS DRAWING. CHECK DIMENSIONS ON SITE AND REPORT DISCREPANCIES TO THE ARCHITECT.  
 THIS DRAWING IS PROTECTED BY COPYRIGHT.  
 ALL AREAS HAVE BEEN MEASURED FROM CURRENT DRAWINGS. THEY MAY VARY BECAUSE OF (EG) SURVEY, DESIGN DEVELOPMENT, CONSTRUCTION TOLERANCES, STATUTORY REQUIREMENTS OR RE-DEFINITION OF THE AREAS TO BE MEASURED.



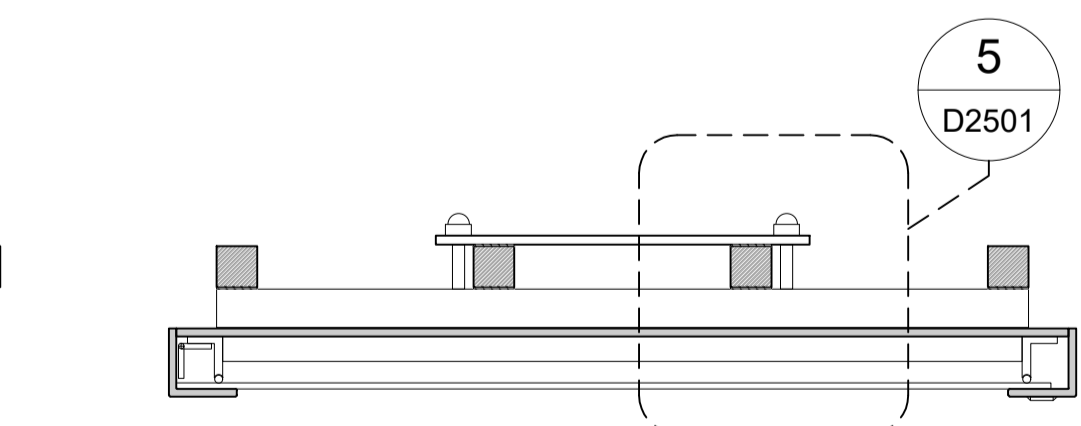
1 Proposed Sign Front Elevation  
1:5



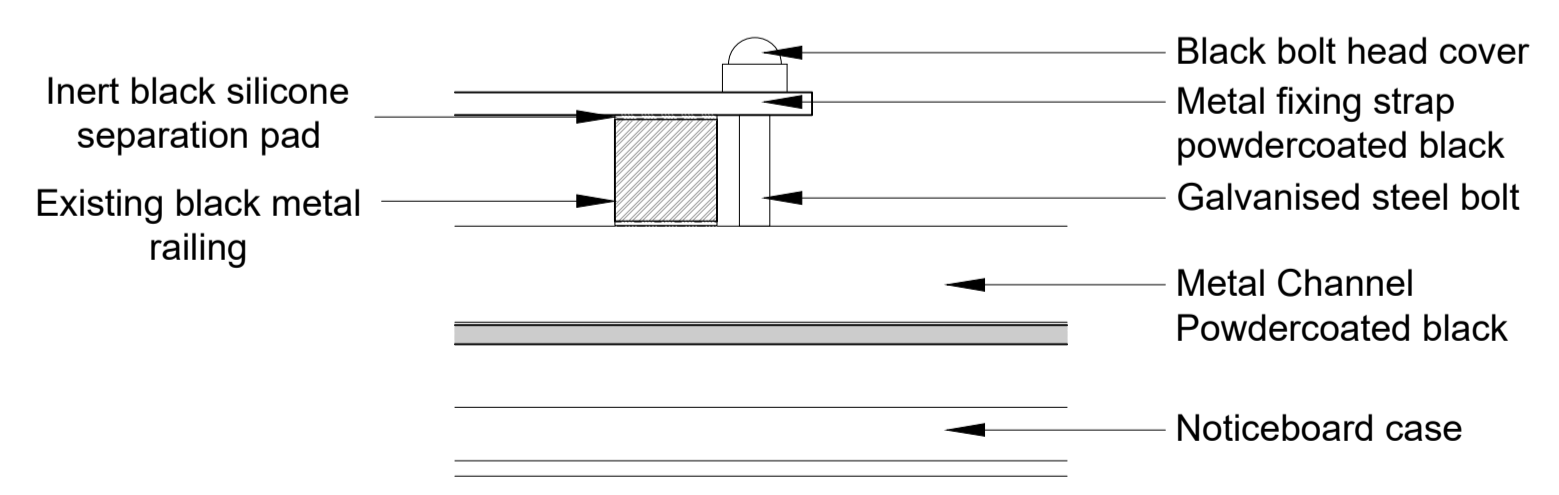
2 Proposed Sign Rear Elevation  
1:5



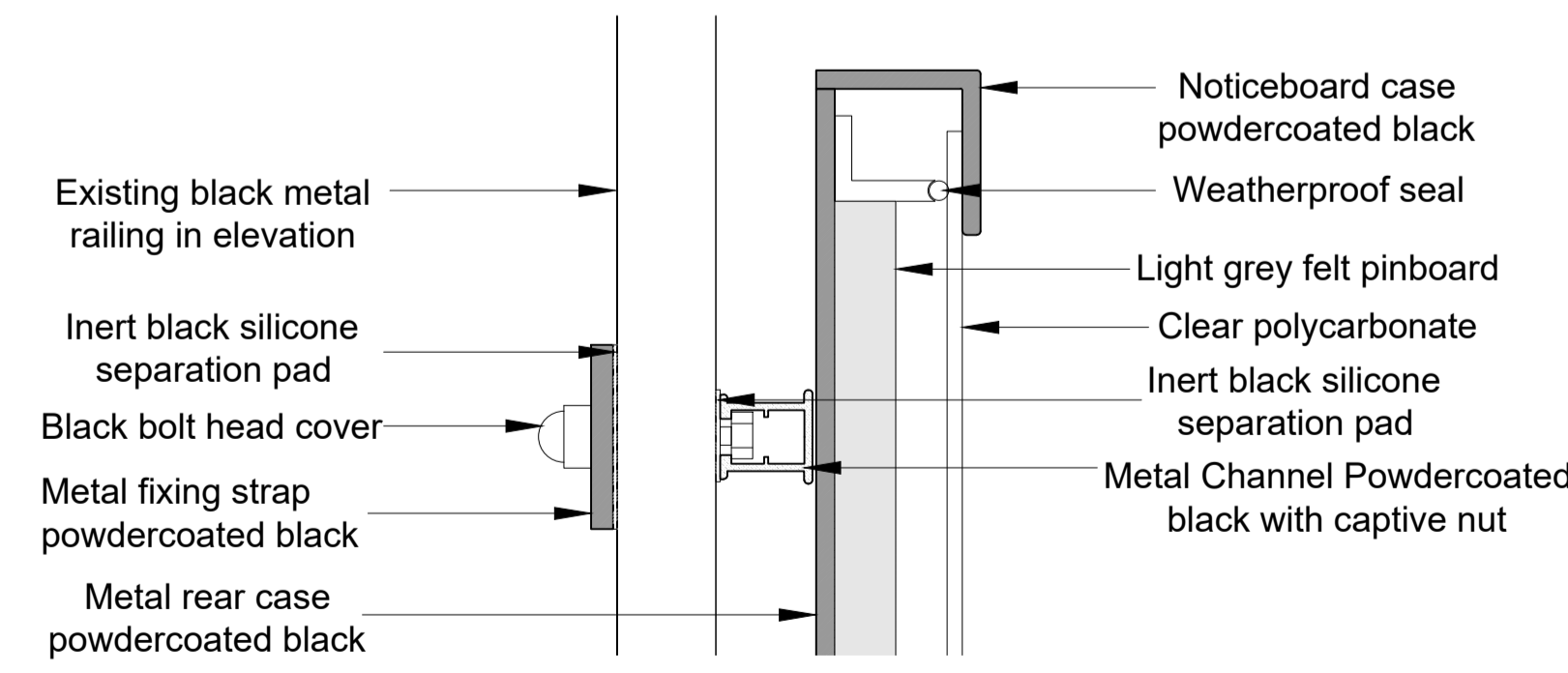
3 Proposed Sign Section  
1:5



4 Proposed Sign Plan section view  
1:5



5 Horizontal Detail  
1:2



6 Vertical Detail  
1:2

Rev.	Date	Comment	Drawn	Checked
P1	25.11.22	Issued for Planning	JP	JS

Issue Purpose  
**PLANNING APPLICATION**  
 tp bennett  
 One America Street London SE1 0NE | +44 (0)20 2408 2000 | www.tpbennt.com

Project  
**St George's Bloomsbury**  
 London WC1A 2SA

Drawing Title  
**Proposed Railing Signage Detail**

Drawn	Date	Scale @ A1	Alt. Ref.
JP	25.01.2022	Varies	D5343D2501

tp bennett Project No.	Drawing Number	Rev
D5343	D 2501	P1