

Important note

All dimensions in millimetres. Where dimensions are not given, drawings must not be scaled and the matter referred back to Charlton Brown Architects.

All dimensions and conditions are to be checked on site by the contractor prior to preparing drawings or commencing any work. The contractor is responsible for checking that there is no conflict between site dimensions and drawn dimensions.

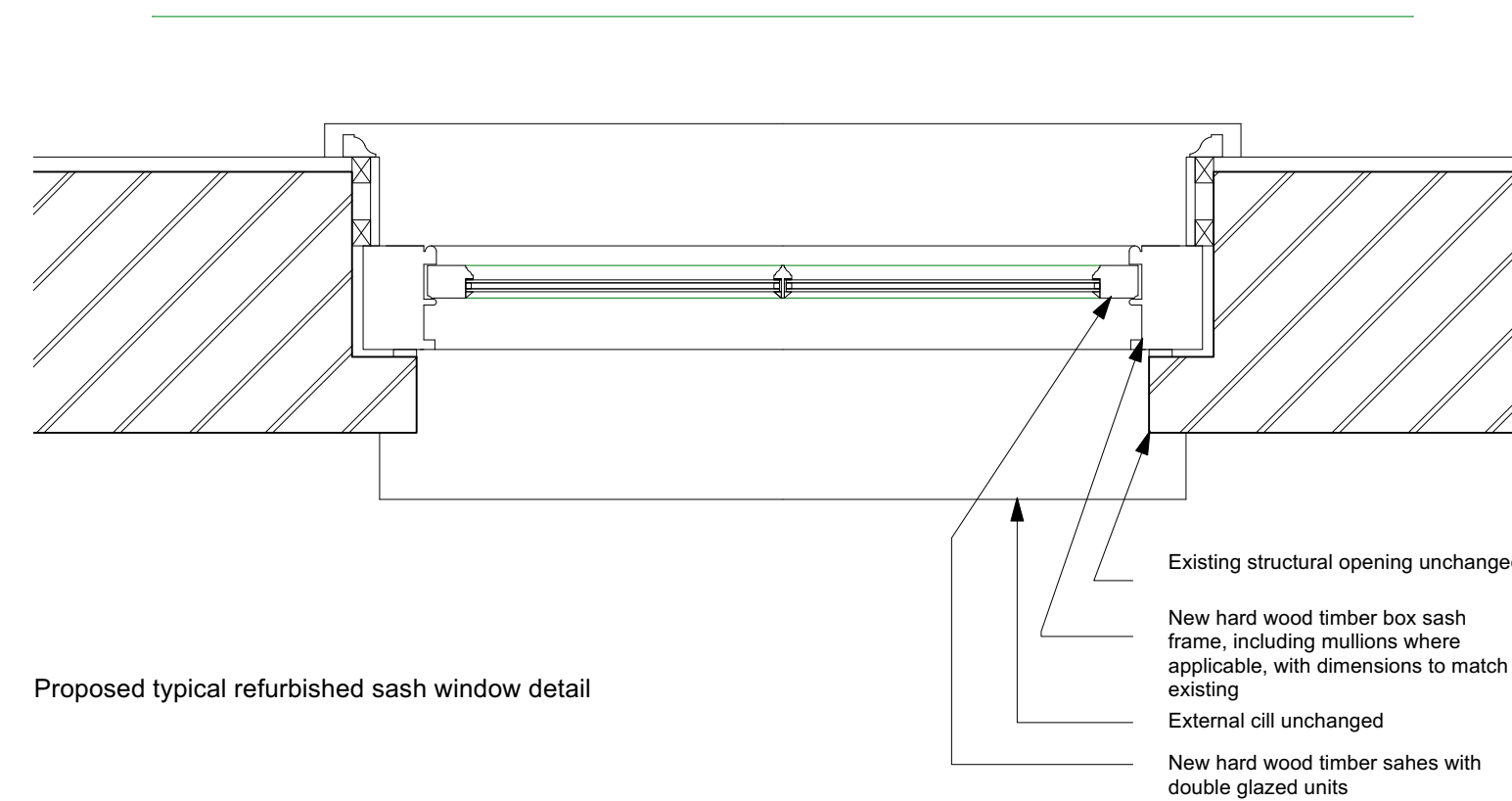
In the event of any detail or dimensional conflict between Charlton Brown Architects drawings, the matter must be referred back to Charlton Brown Architects for clarification



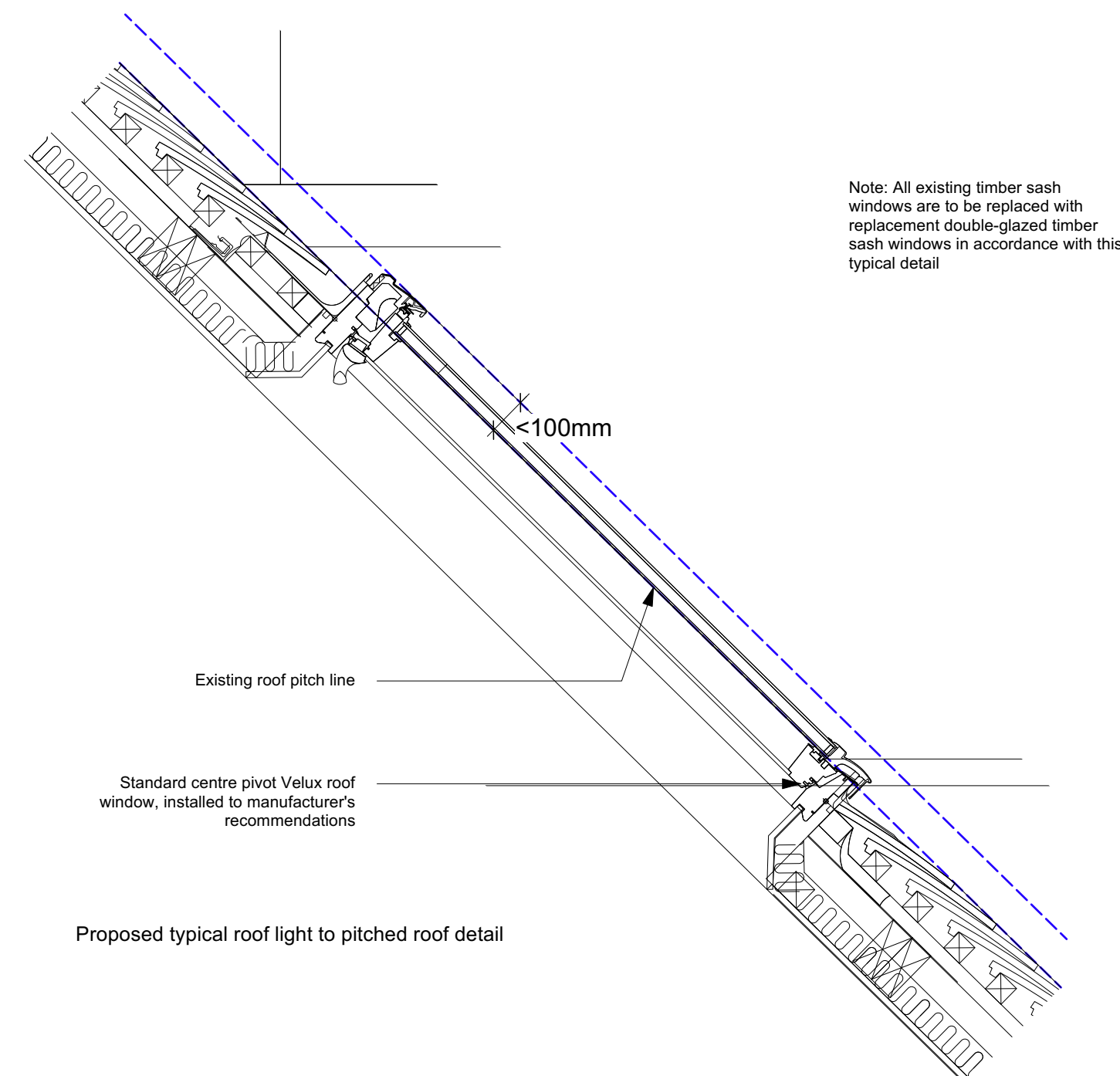
Proposed South elevation



Proposed East elevation



Proposed typical refurbished sash window detail



Proposed typical roof light to pitched roof detail

0	2	4	6	8	10 M
B	23/11/2022				JK
A	25/10/2022	Revised window detail			JK
Rev	Date	Details			By



Proposed North elevation

Charlton Brown Architecture & Interiors

The Belvedere, 2 Back Lane, Hampstead, London, NW3 1HL
 Telephone +44(0)20 7794 1234
 Email office@charltonbrown.com
 Website www.charltonbrown.com

Client
 Sam and Nigel Hikmet

Project
 19 Heath Drive NW3 7SL

Drawing Title
 Proposed elevations

Date	Drawn	Checked
23/11/2022	JK	JM

Scale
 1:100

Issue Status

Planning

Project Number	Drawing Number	Revision
20086	AP02	B