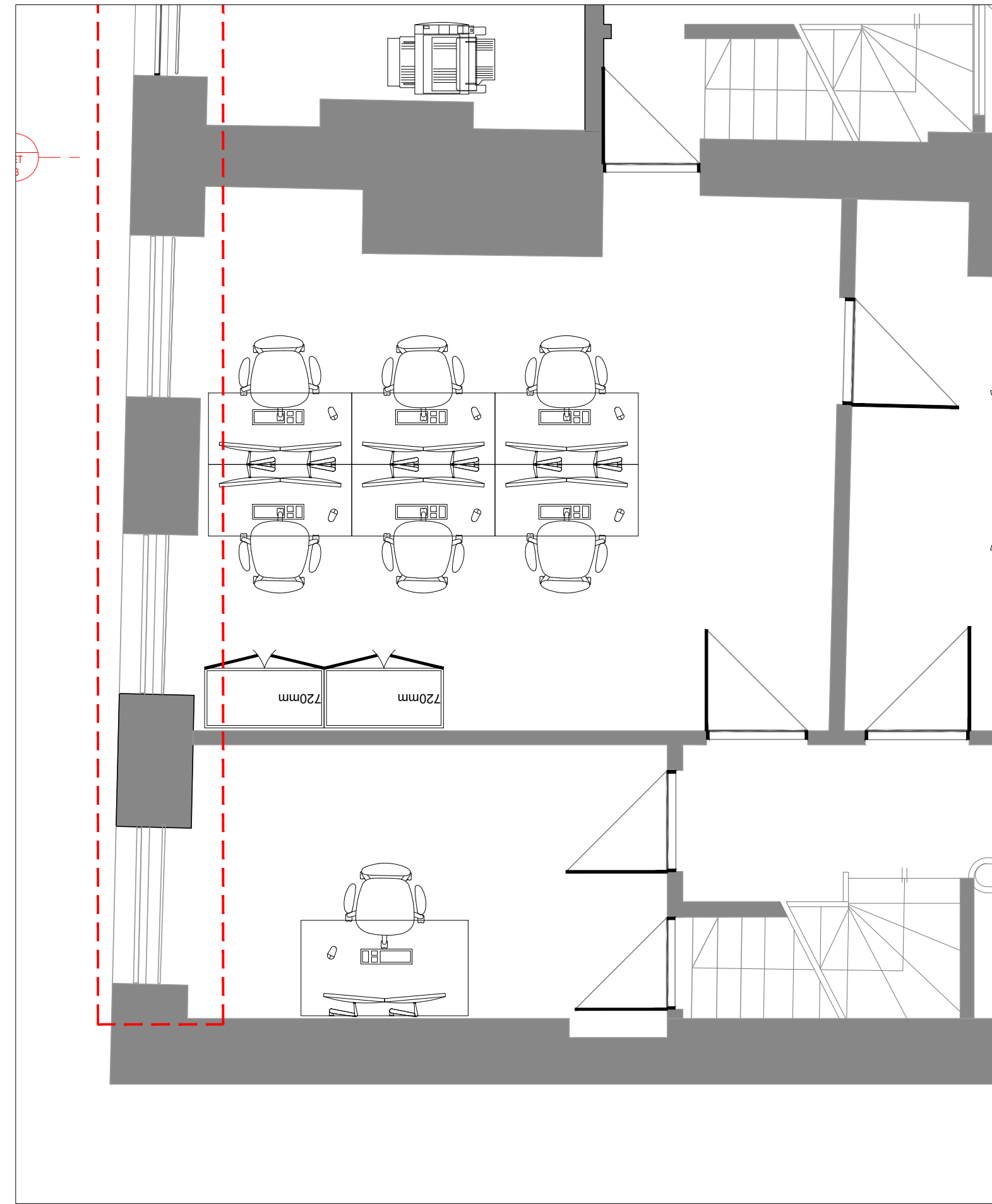
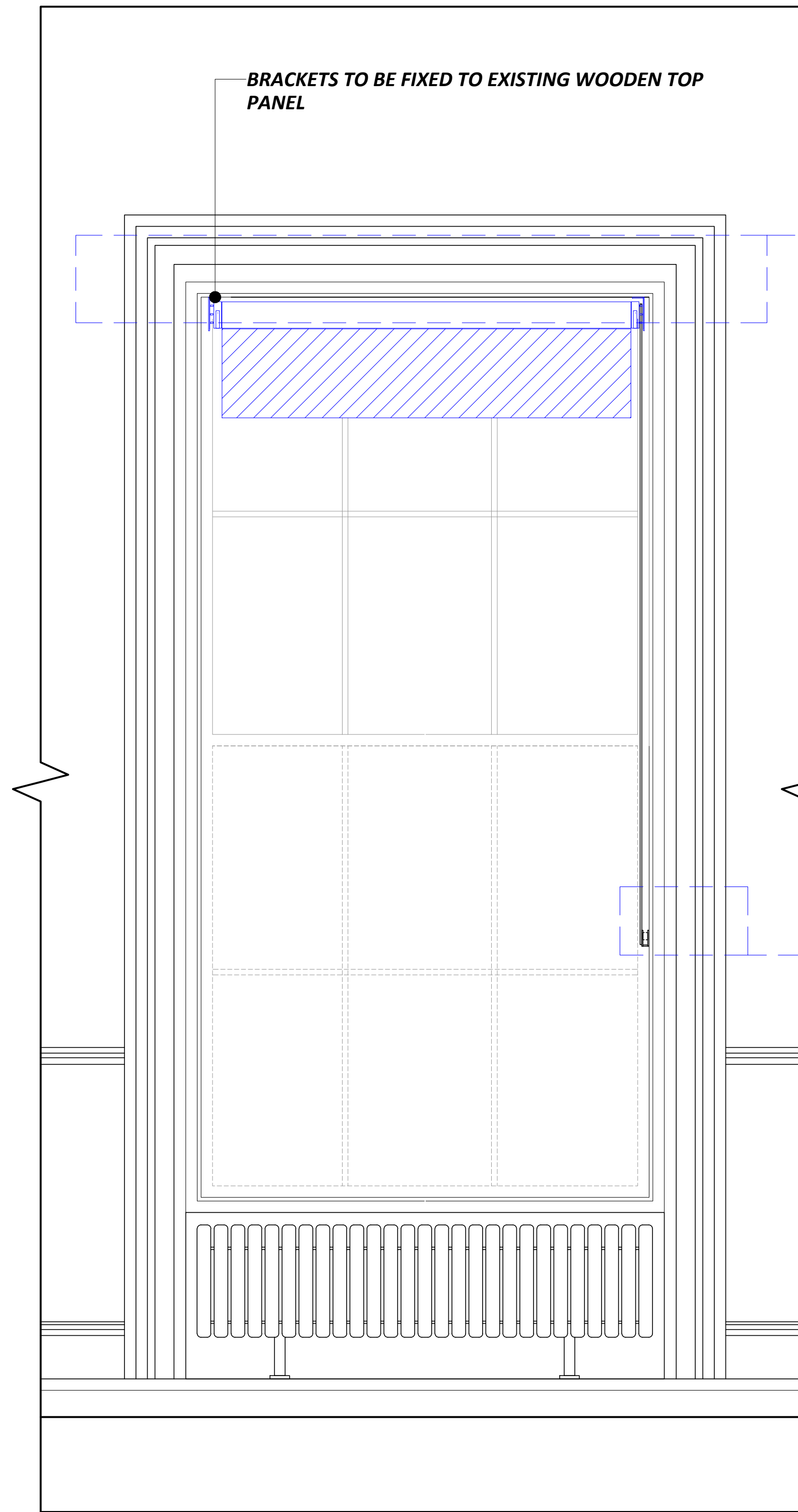


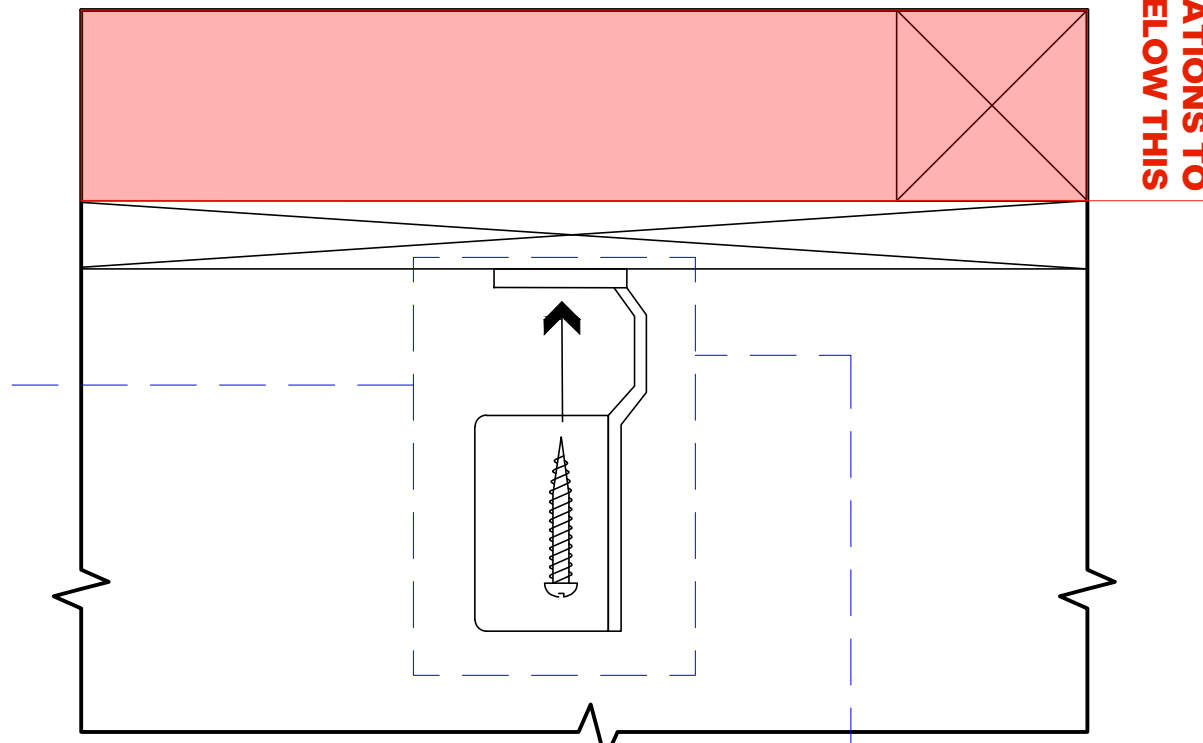
FOR APPROVAL/COMMENT ONLY - DO NOT CONSTRUCT FROM THIS DRAWING



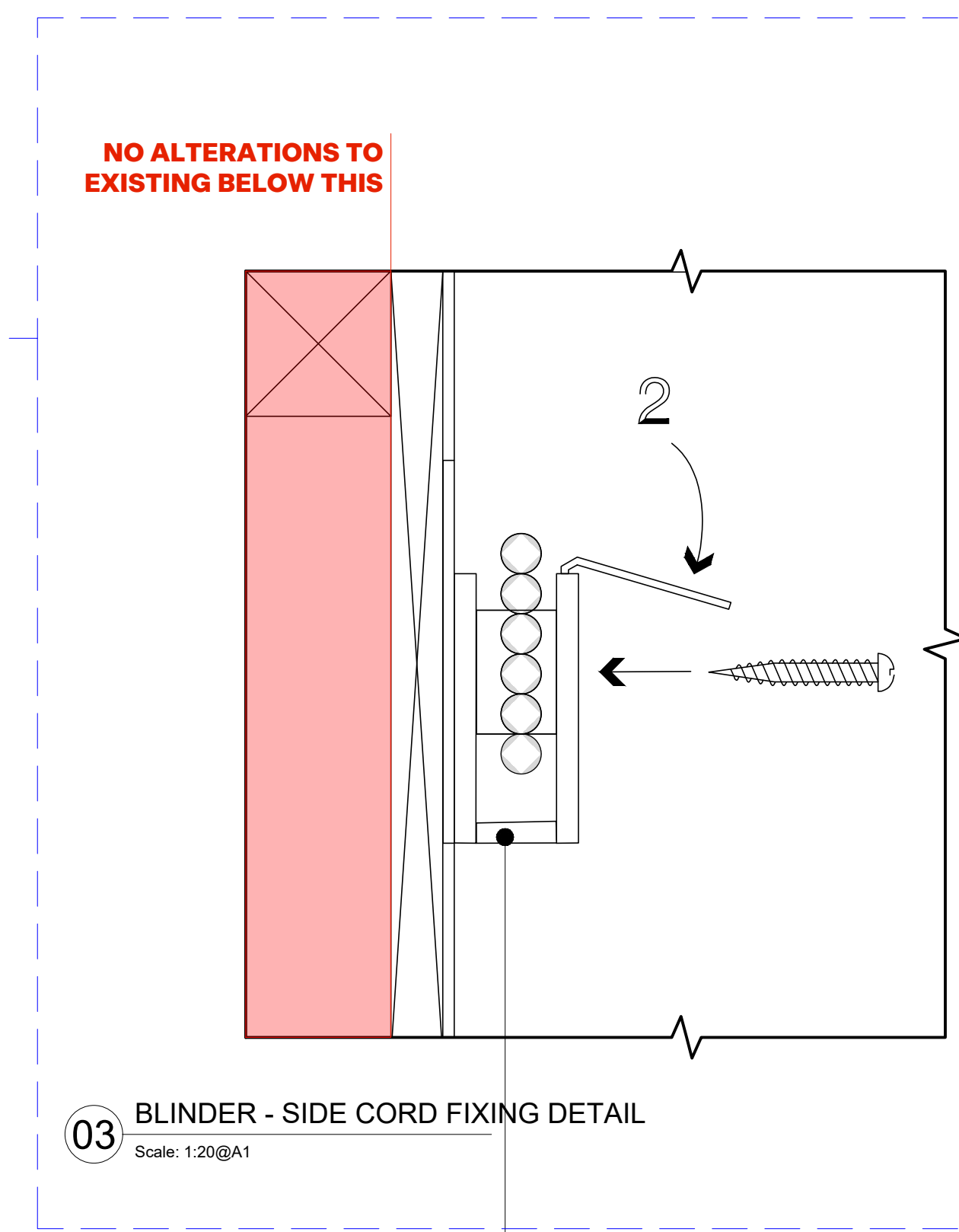
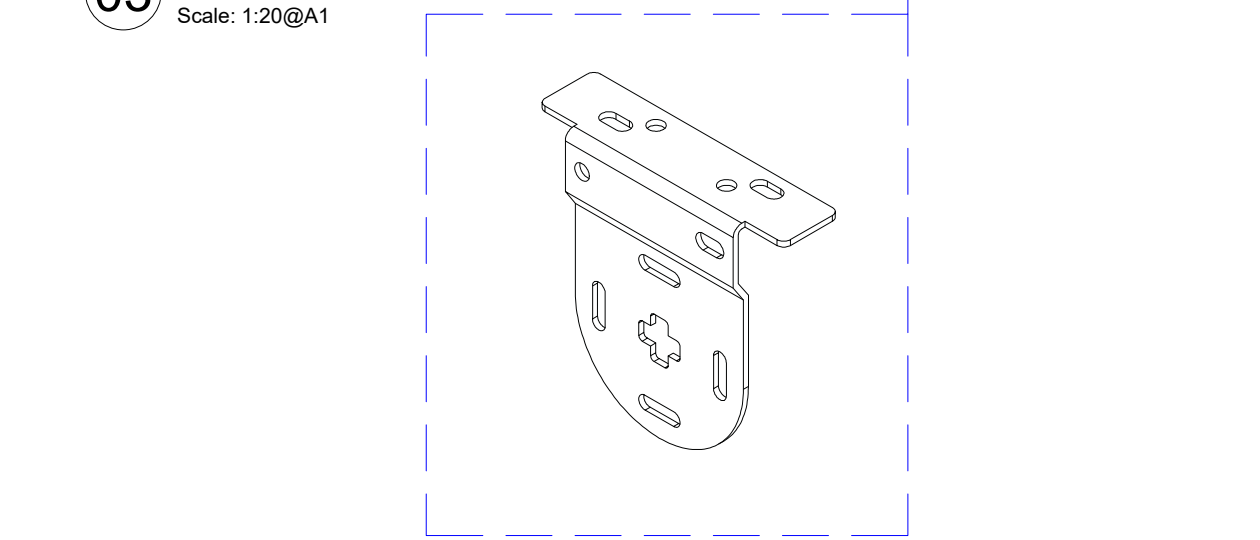
01 MEETING ROOM - PLAN VIEW
Scale: 1:40@A1



02 BLINDER - ELEVATION A
Scale: 1:20@A1

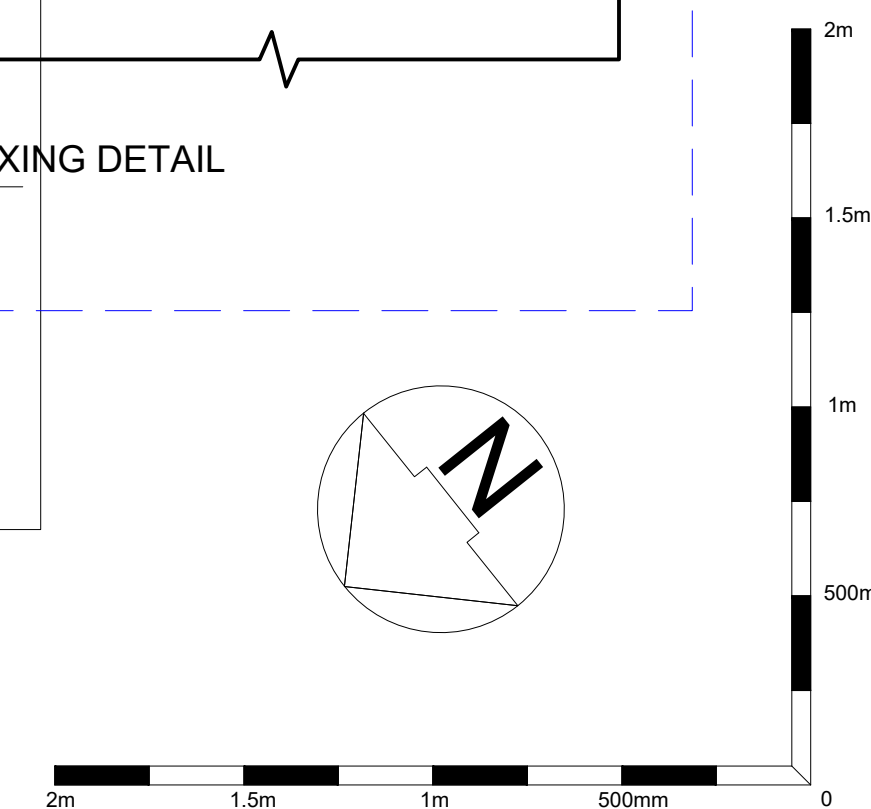
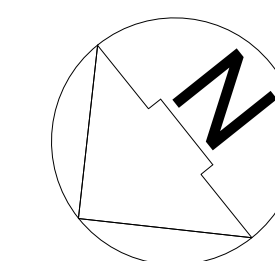


03 BLINDER - BRACKET FIXING DETAIL
Scale: 1:20@A1



03 BLINDER - SIDE CORD FIXING DETAIL
Scale: 1:20@A1

HINGE TO BE FIXED TO WOODEN SIDE PANEL



NOTES

THIRDWAY INTERIORS DO NOT ACCEPT LIABILITY FOR ANY ERRORS AND OMISSIONS ARISING FROM THE PREPARATION OF BASE BUILD DRAWINGS WHICH ARE DERIVED FROM ORIGINAL MATERIAL PROVIDED BY OTHERS.
ALL DISCREPANCIES ARE TO BE REPORTED TO THIRDWAY INTERIORS.
GRID LINES ARE FOR REFERENCE PURPOSES ONLY.
ALL DIMENSIONS TO BE VERIFIED BY CONTRACTOR ON SITE PRIOR TO ANY WORKS COMMENCING.
DO NOT SCALE FROM THIS DRAWING.

THIS DOCUMENT IS THE PROPERTY OF THIRDWAY INTERIORS. COPYRIGHT IS RESERVED BY THEM, AND THE DRAWING IS ISSUED ON THE CONDITION THAT IT IS NOT COPIED, REPRODUCED OR RETAINED BY NOR DISCLOSED TO ANY UNAUTHORISED PERSON, EITHER WHOLLY OR IN PART, WITHOUT THE CONSENT IN WRITING FROM ©THIRDWAY INTERIORS

STATUS

- Approval / Comment
- Information Only
- Building Control
- Contract
- Construction
- As-Built

REVISION DETAIL

REV	DETAIL	BY	DATE
P1	FIRST DRAWING ISSUE	OE	13.09.22

CLIENT

MENZIES AVIATION

PROJECT ADDRESS

21-22 BLOOMSBURY SQUARE LONDON

DRAWING TITLE

**SECOND FLOOR
BLINDER ELEVATION
FOR APPROVAL**

DWG NO: **41358-02-DET.03**

REVISION: **P1**

SCALE @A1: **1:20** @ A3: **1:40**

DATE: **08.09.22**

DRAWN BY: **OE**

CHECKED BY: **FS**