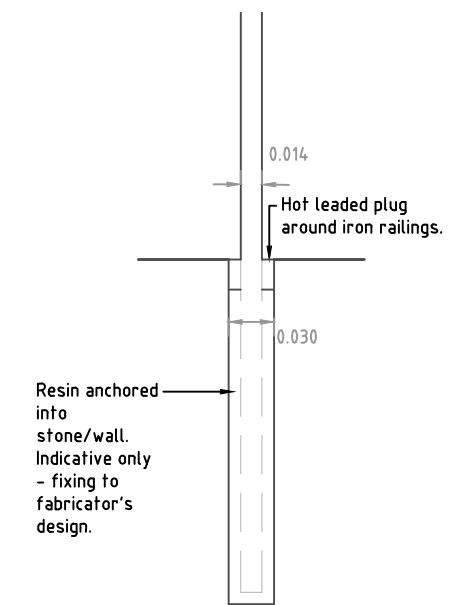
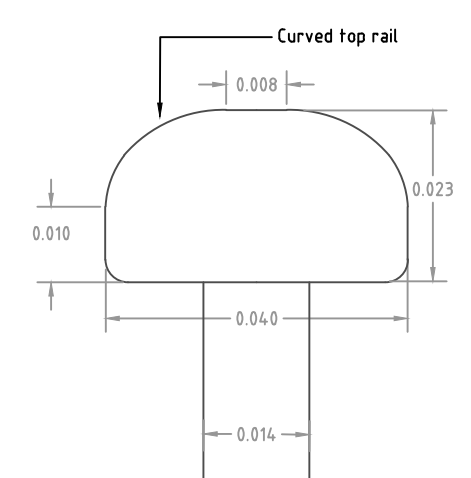


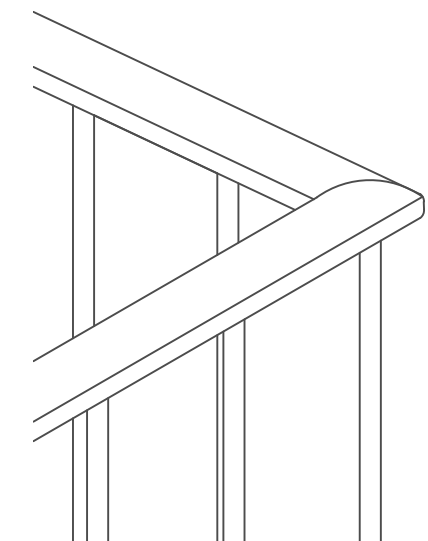
Detail 01 - Top Rail Plan
Scale 1:5



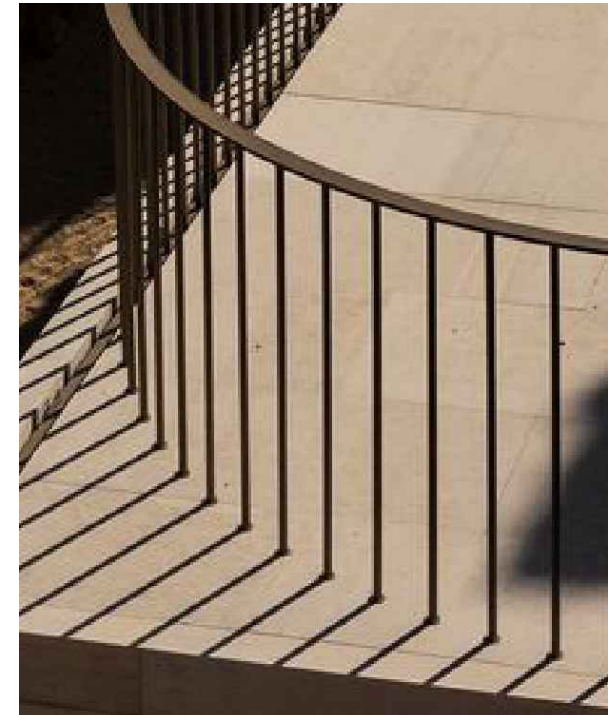
Detail 02 - Railing Fixing to Stone Coping and brick wall Section
Scale 1:5



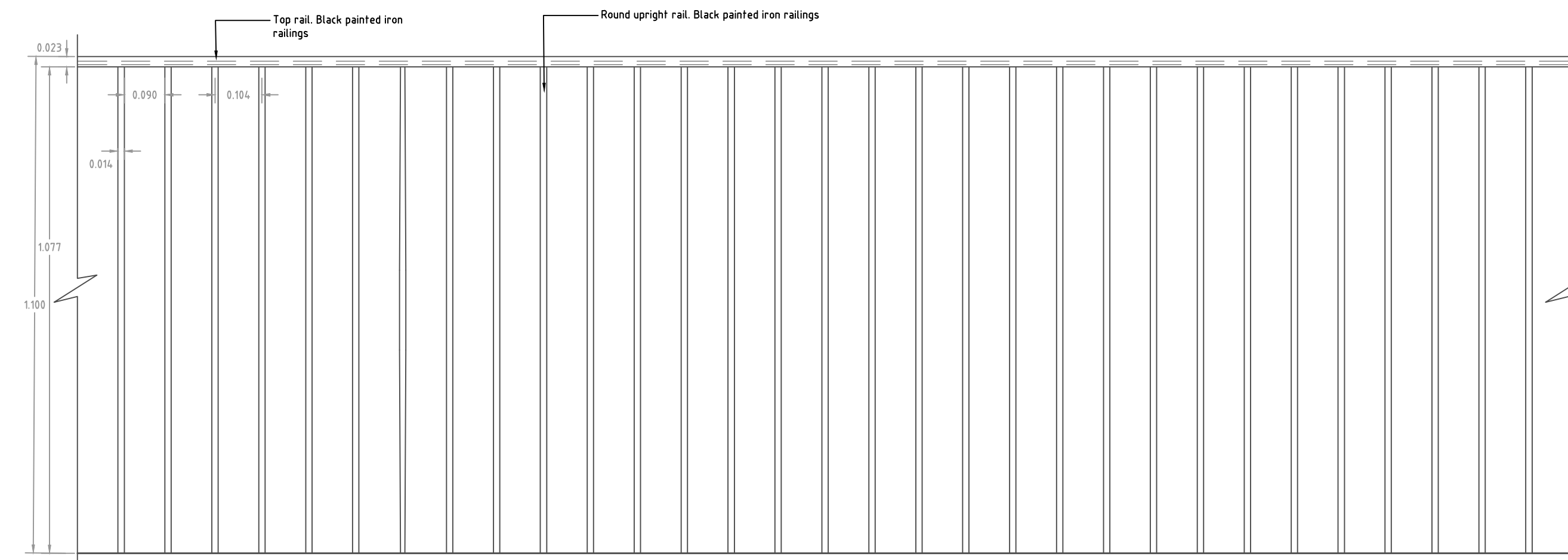
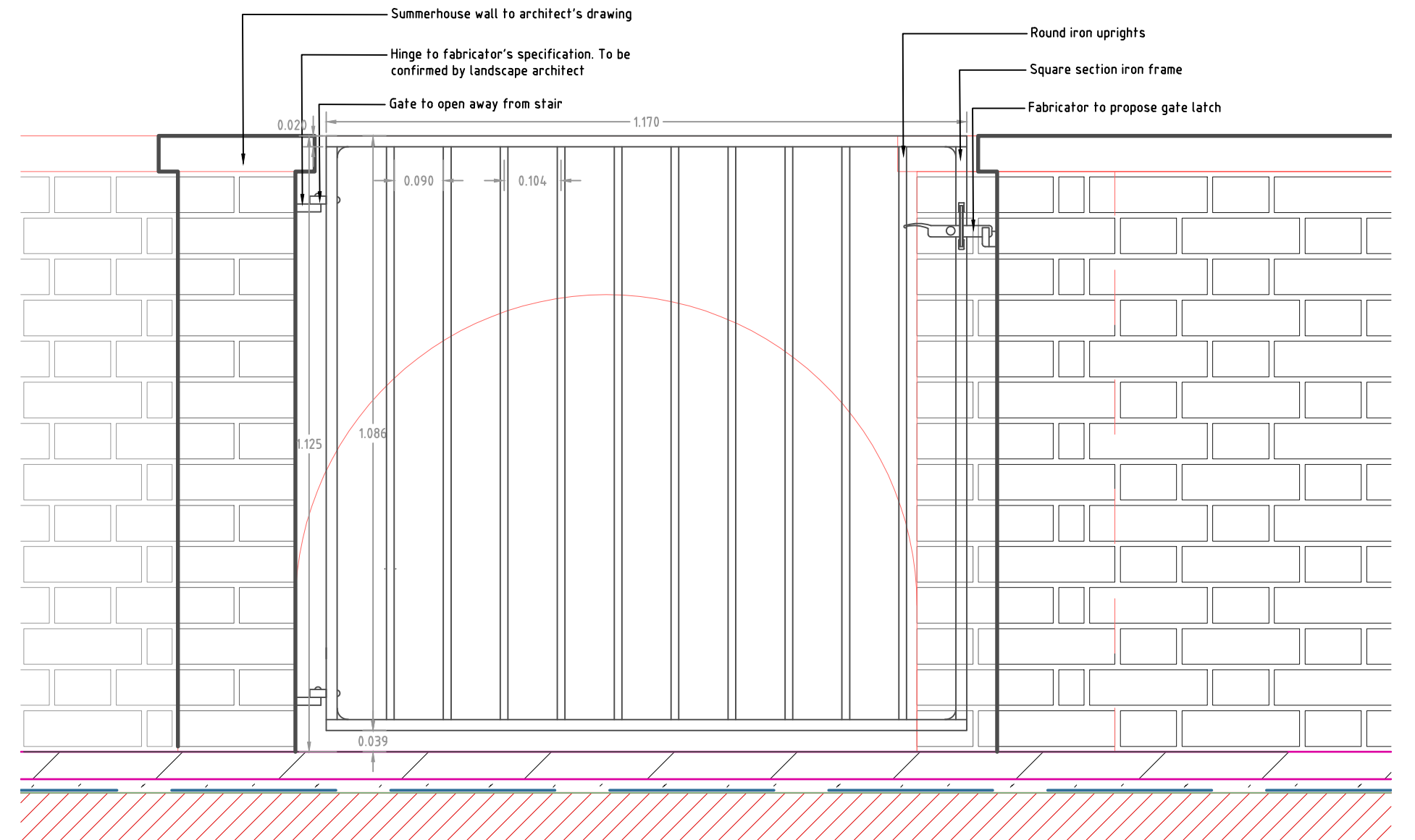
Detail 03 - Top Rail Section
Scale 1:1



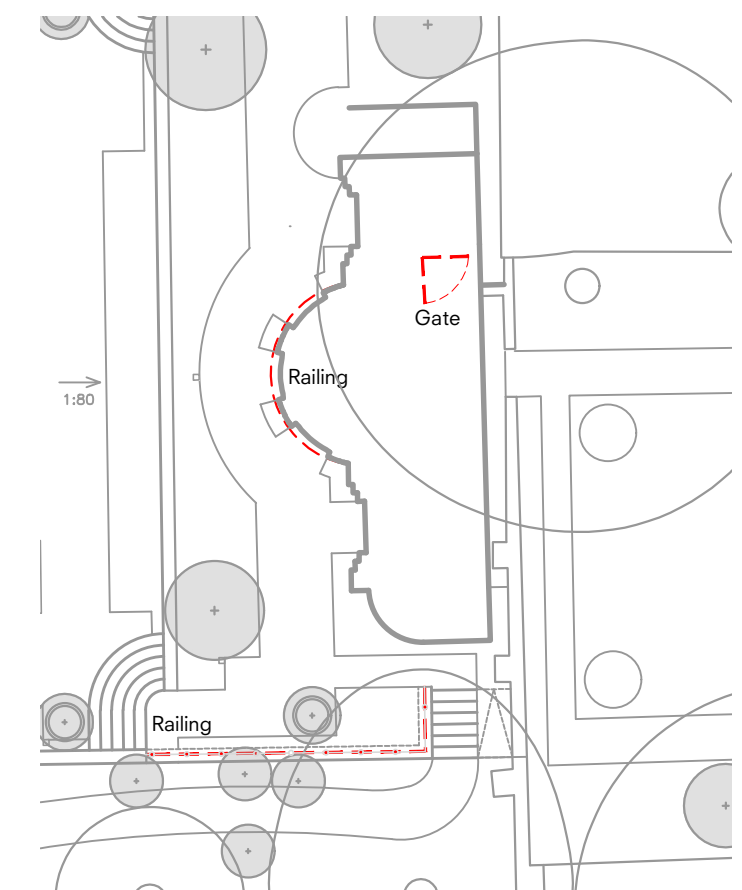
3 Dimensional View of Railing Corner
NTS



Precedent Image of Railing



Detail 03 - Summerhouse Railing Elevation
Scale 1:10



Location Plan
Scale 1:200

Note:
Bespoke black painted iron railings, fixed into core drilled holes within the walls and copings.
Holes to be sealed with lead flashing.

Rev	Comment	Date
P01	Initial planning issue	28/10/2022

Tom Stuart-Smith Ltd
The Dairy Studio
Sergehill Ln, Abbots Langley WD5 0RZ
Tel: +44 (0)207 253 2100

Status: For Planning

Project:
5 The Grove

Drawing:
Summerhouse Terrace Railing

Scale: As shown @ A2
Dwg: 381-L-D-412 Rev: P01

Drawn: ET
Date: 28/10/2022