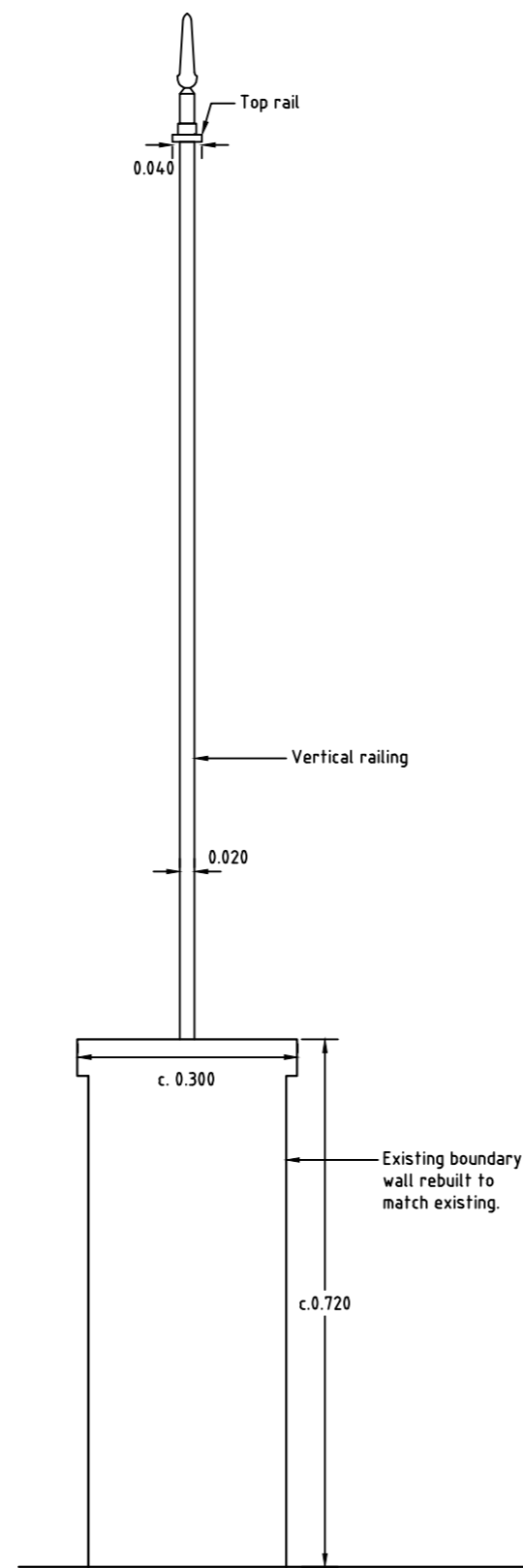
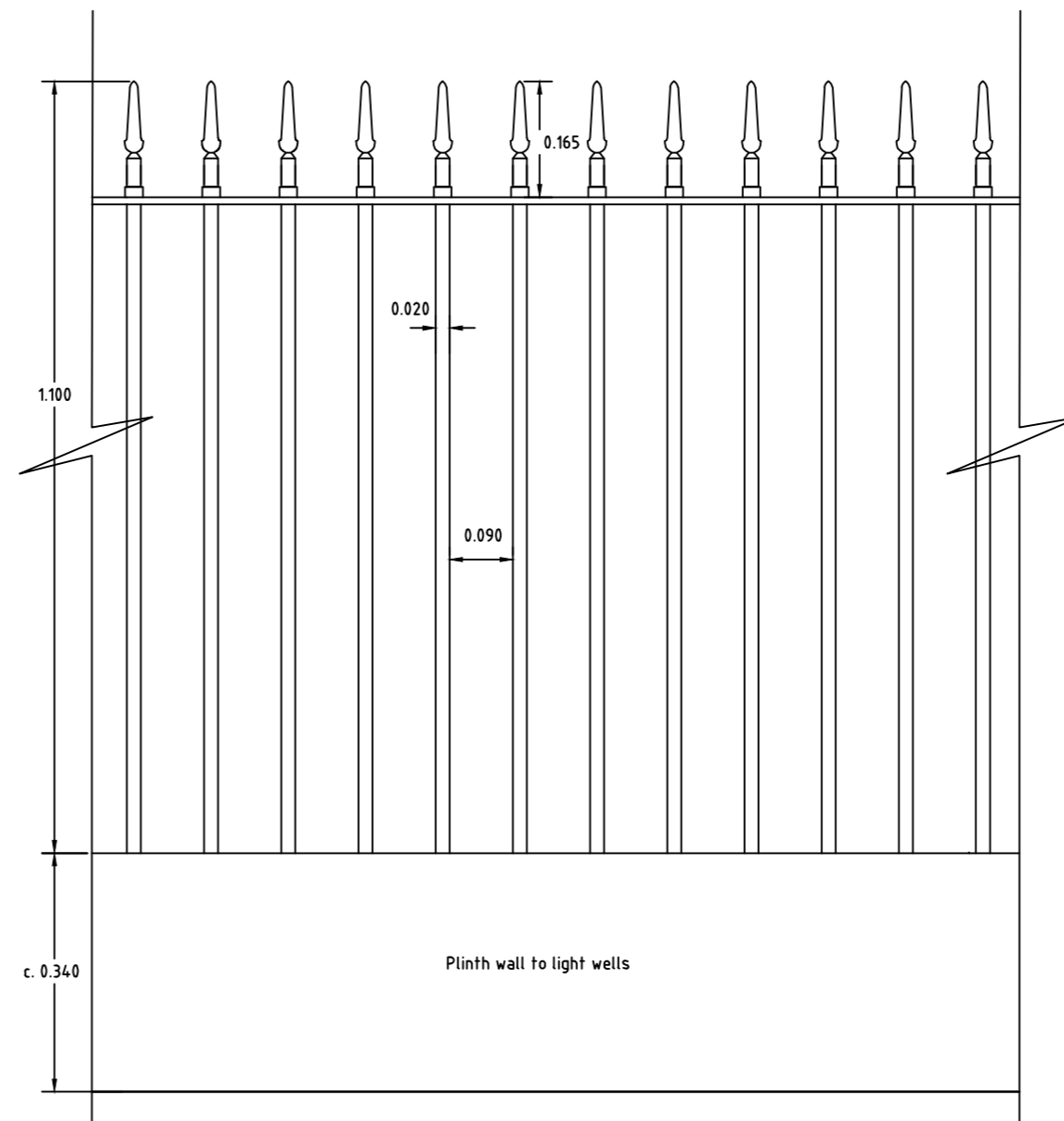


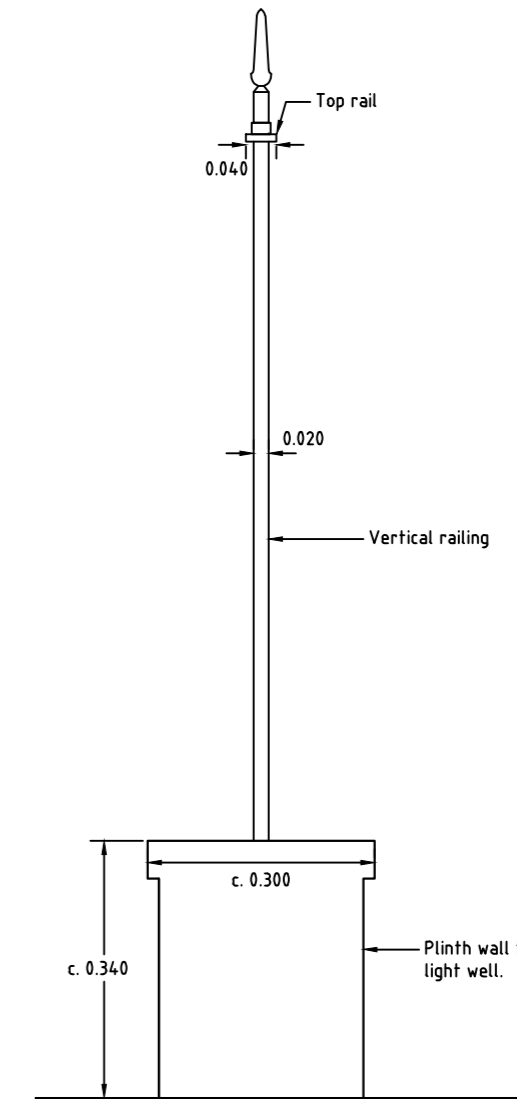
Detail 01 - Railings Front Garden  
Elevation  
Scale 1:10



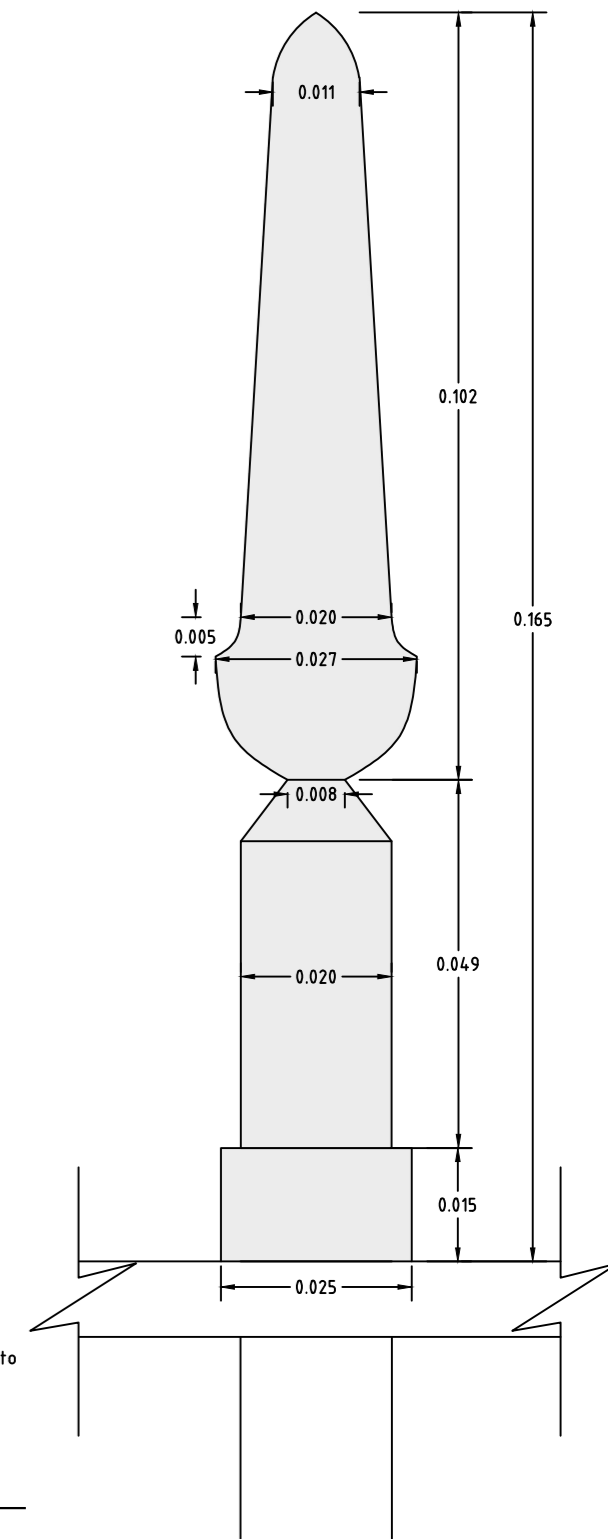
Detail 02 - Railings Front Garden  
Section  
Scale 1:10



Detail 03 - Railings to Light Wells  
Elevation  
Scale 1:10



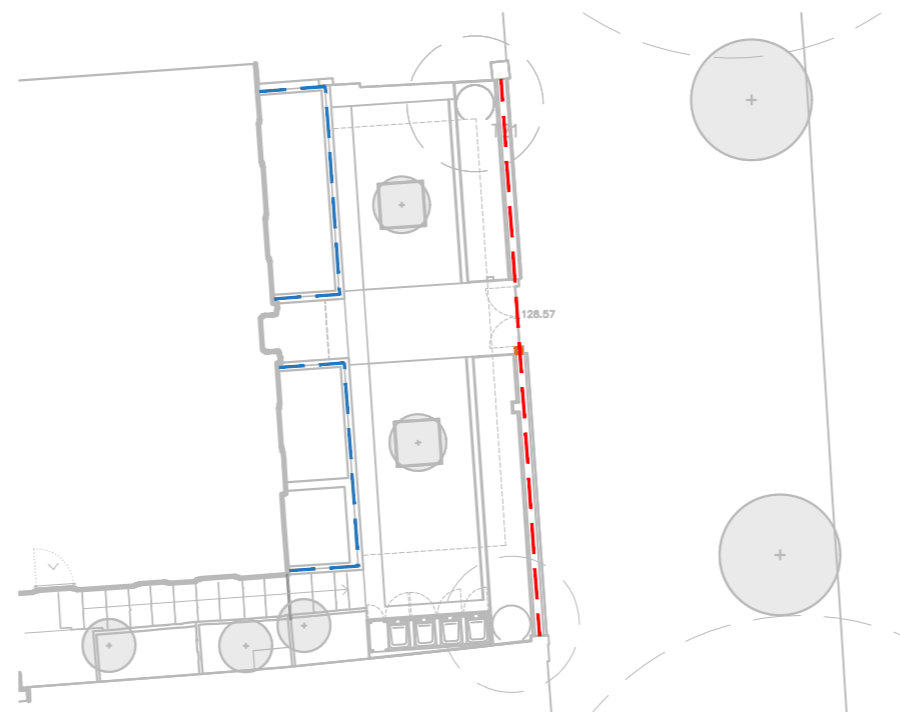
Detail 04 - Railings to Light Wells  
Section  
Scale 1:10



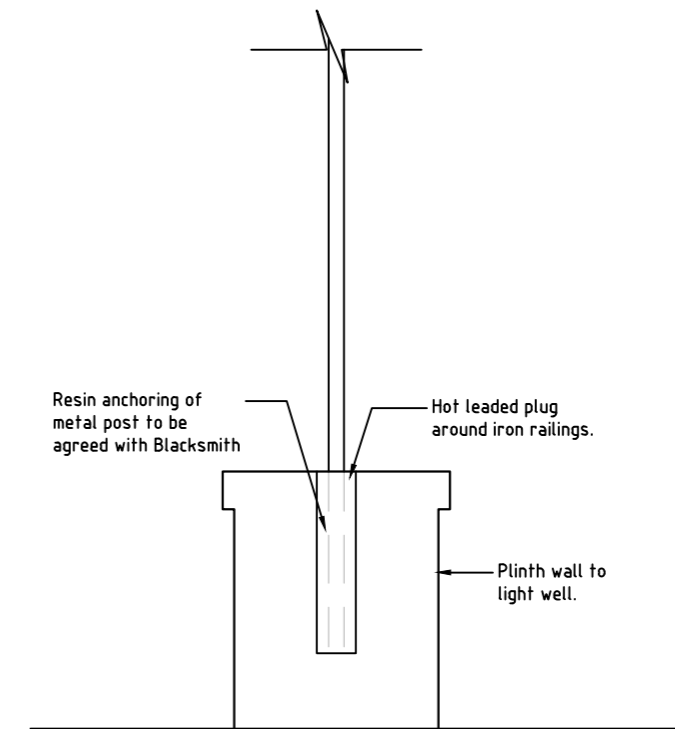
Detail 05 - Indicative Finial  
Section  
Scale 1:1



Historic railing



Location Plan  
Scale 1:200



Detail 06 - Fixing method  
Section  
Scale 1:10

Note:  
Bespoke black painted iron railings as per the existing light well railings, fixed into core drilled holes within the walls and copings.  
Holes to be sealed with lead flashing.

Rev	Comment	Date
P01	Planning condition 2021.4153.P 5(c) drawing	24/10/2022

**Tom Stuart-Smith Ltd**  
The Dairy Studio  
Sergehill Ln, Abbots Langley WD5 0RZ  
Tel: +44 (0)207 253 2100

Status: For Planning

Project:  
**5 The Grove**  
Drawing:  
Railings Details  
Front Garden

Scale: As shown at A2  
Dwg: 381-L-D-456  
Rev: P01

Drawn: ET  
Date: 24/10/2022  
ref: