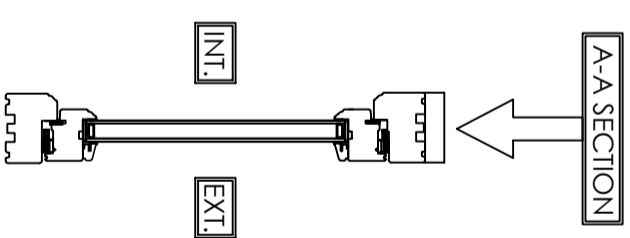
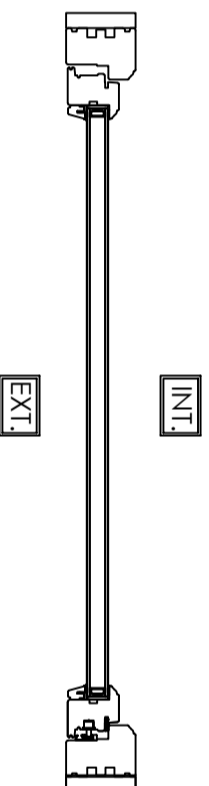
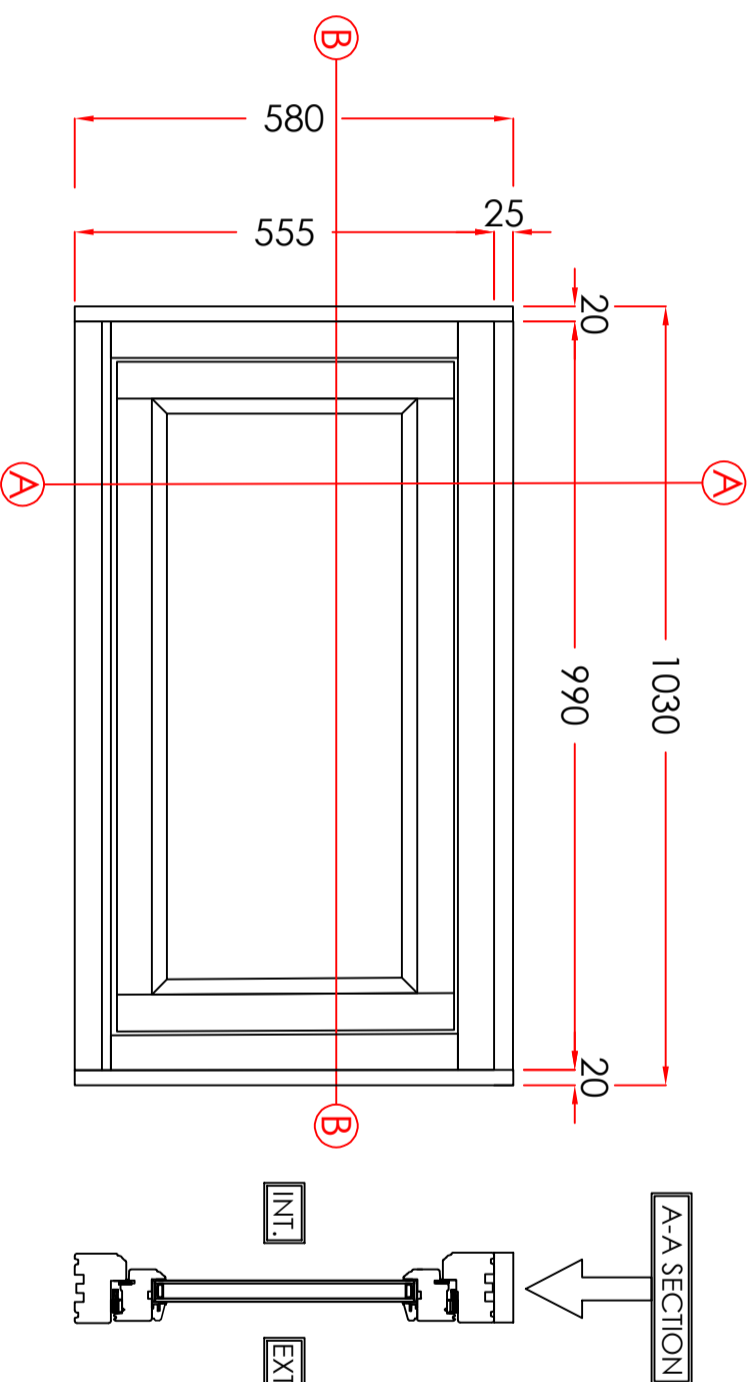


PROPOSED ITEMS



B-B SECTION
3. HALL
 MATERIAL - TIMBER
 INTERNAL & EXTERNAL COLOUR - WHITE
 GLAZING - 28MM SEALED UNITS

VIEWED EXTERNALLY

THESE DRAWINGS ARE THE PROPERTY OF ANGLIAN HOME IMPROVEMENTS AND MUST NOT BE USED, DISTRIBUTED, LOANED OR COPIED WITHOUT THE EXPRESS PERMISSION OF ANGLIAN HOME IMPROVEMENTS.

Revision	Date	Amendments	Drawers initials
A	01/11/22	Details added	SF

Scale - 1:10
 (Produced on A3 Paper)
 Sheet 3 of 4

Drawers initials
SF

CONTRACT No.: 30351531 **date:** 15/07/2022

PROPOSED: WINDOW REPLACEMENT
AT: 134 GOLDHURST TERRACE
(INSTALLATION ADDRESS)
 LONDON
 NW6 3HR

