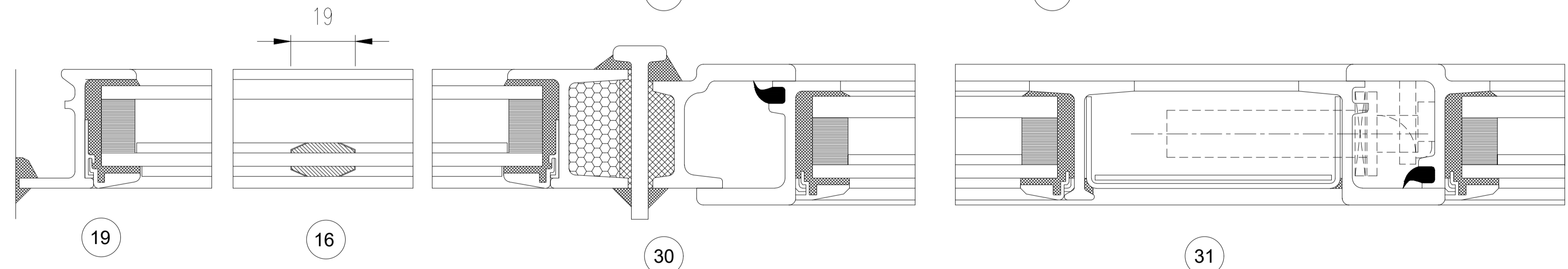
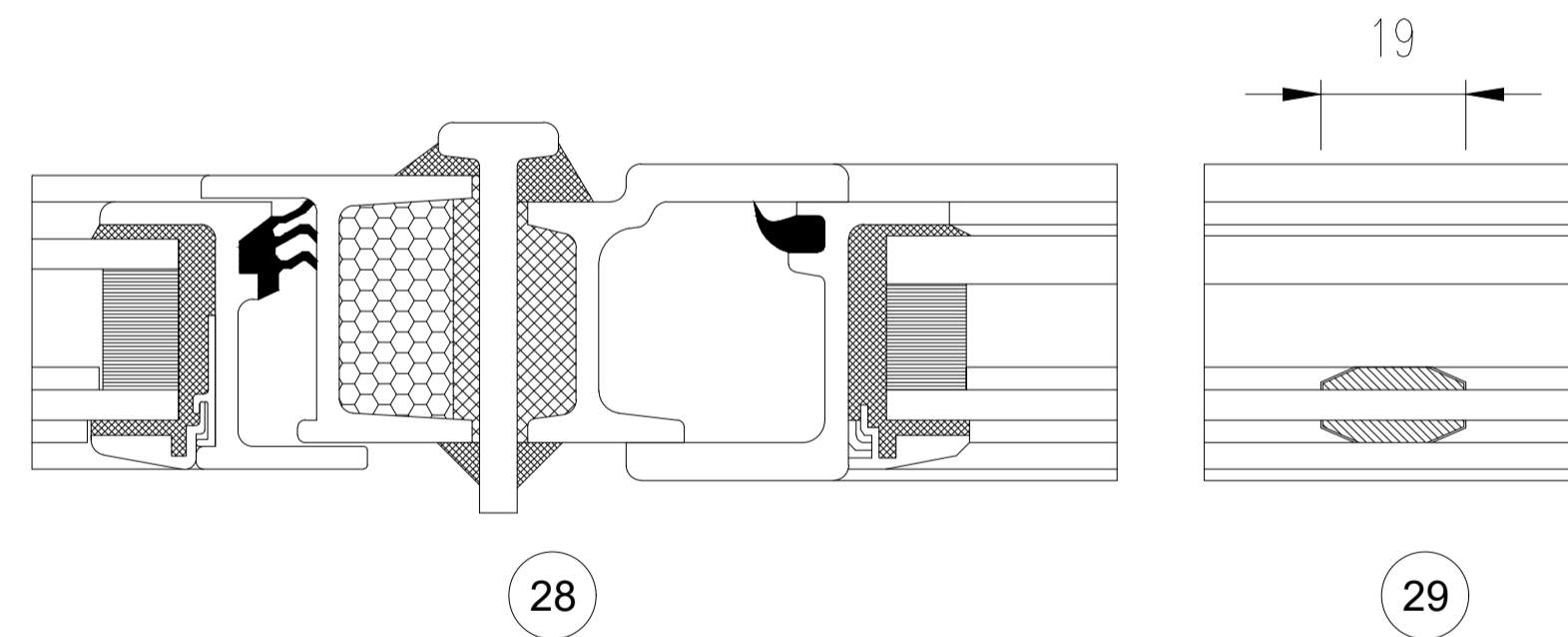
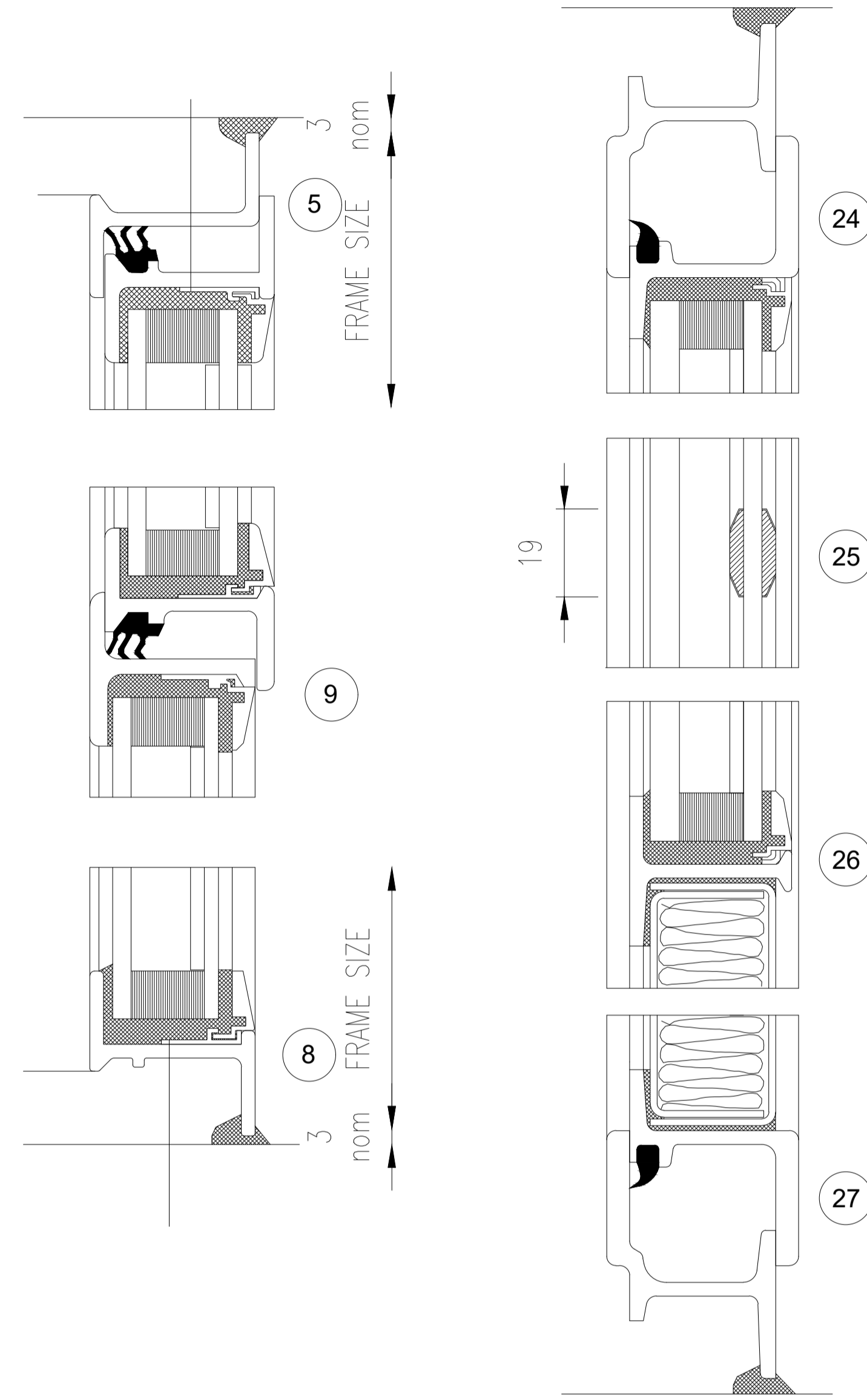


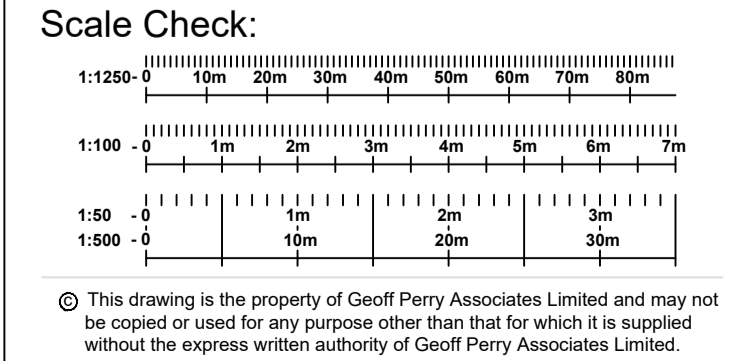
**EXISTING WINDOW - SCALE 1:20**  
TAKEN FROM DRAWING CLEMENT STEEL  
WINDOWS DRAWING NO. D-RC0501/11



The Contractor is to check and verify all building and site dimensions, levels and sewer invert levels at connection points before work starts. The Contractor is to comply in all respects with current Building Legislation, British Standard Specifications, Building Regulations, Construction (Design & Management) Regulations, Party Wall Act, etc. whether or not specifically stated on this drawing. This drawing must be read with and checked against any structural, geotechnical or other specialist documentation provided. This drawing is not intended to show details of foundations, ground conditions or ground contaminants. Each area of ground relied upon to support any structure depicted (including drainage) must be investigated by the Contractor. A suitable method of foundation should be provided allowing for existing ground conditions. Any suspect or fluid ground, contaminates on or within the ground, should be further investigated by a suitable expert. Any earthwork constructions shown indicate typical slopes for guidance only & should be further investigated by a suitable expert. Where existing trees are to be retained they should be subject to a full Arboricultural inspection for safety. All trees are to be planted so as to ensure they are a minimum of 5 metres from buildings and 3 metres from drainage and services. A suitable method of foundation is to be provided to accommodate the proposed tree planting. Geoff Perry Associates Limited do not accept any responsibility for any losses (financial or otherwise) to any Client or third party arising out of the Clients (be it Developer or Contractor but not limited thereto) non-compliance with above mentioned provisos.

**Revisions:**

No.	Description



**Client:** Karen Mercer  
**Project:** Flat 442, Russell Court, Woburn Place, London, WC1H 0LL  
**Title:** Existing French Door Detail

<b>Date:</b> Oct. 2022	<b>Scale:</b> 1:1 & 1:20 @ A1
<b>Drawn by:</b> GPA	<b>Checked by:</b> ~
<b>Job No.:</b> A 191	<b>Drg No.:</b> 181
<b>Rev.:</b> ~	

**Geoff Perry Associates Limited**  
The Shrubbery, 28 Erdington Road, Aldridge, Walsall, WS9 8UH  
e: enquiries@geoffperryassoc.co.uk  
t: 01922 744 900