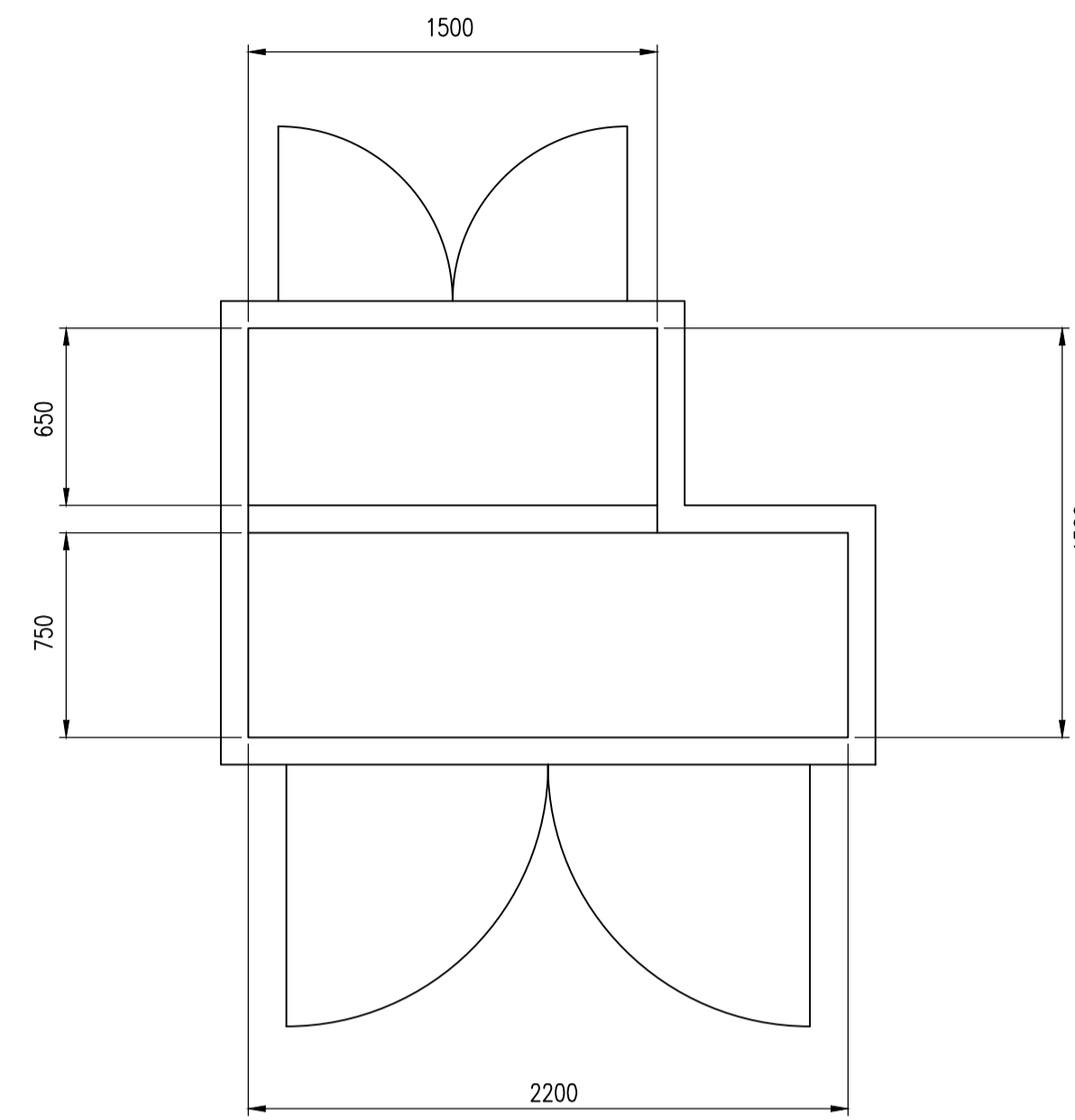
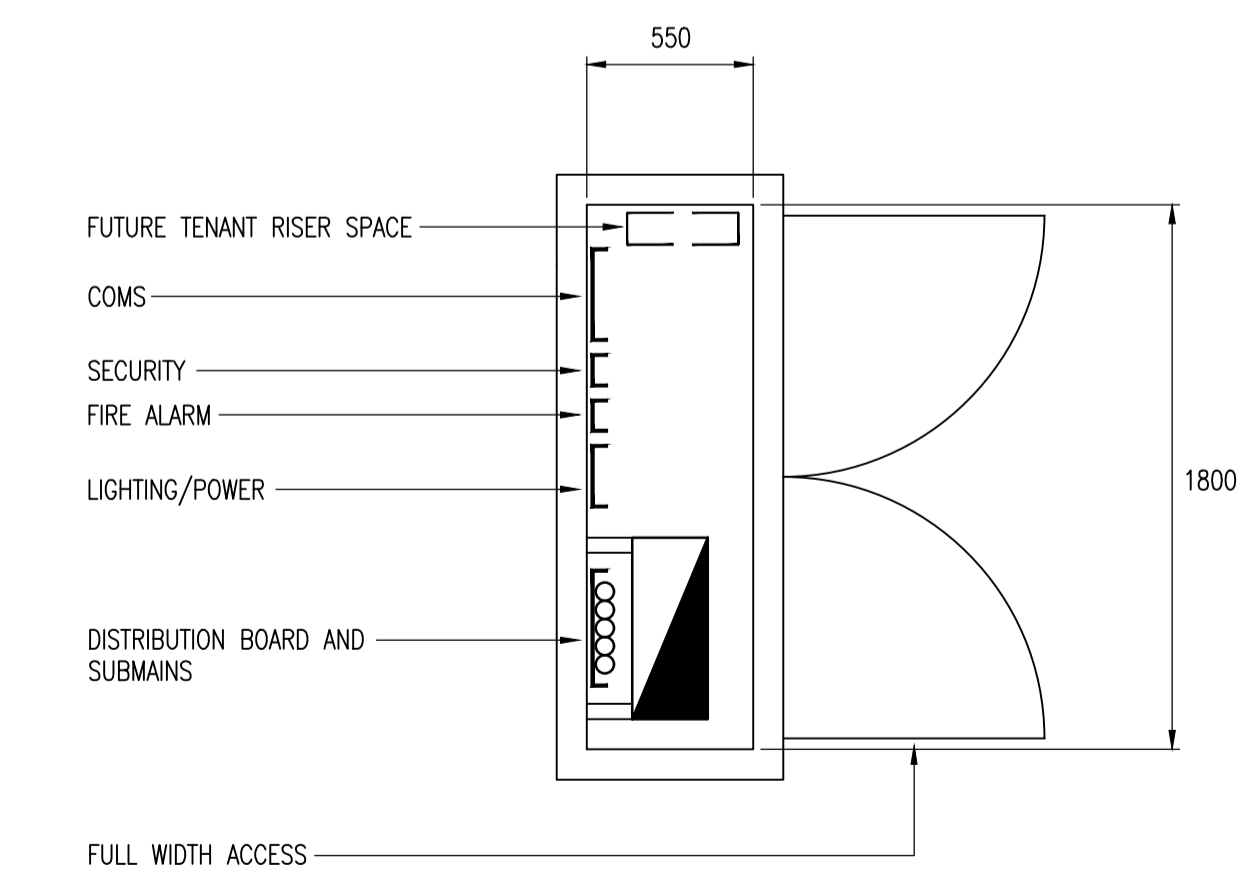
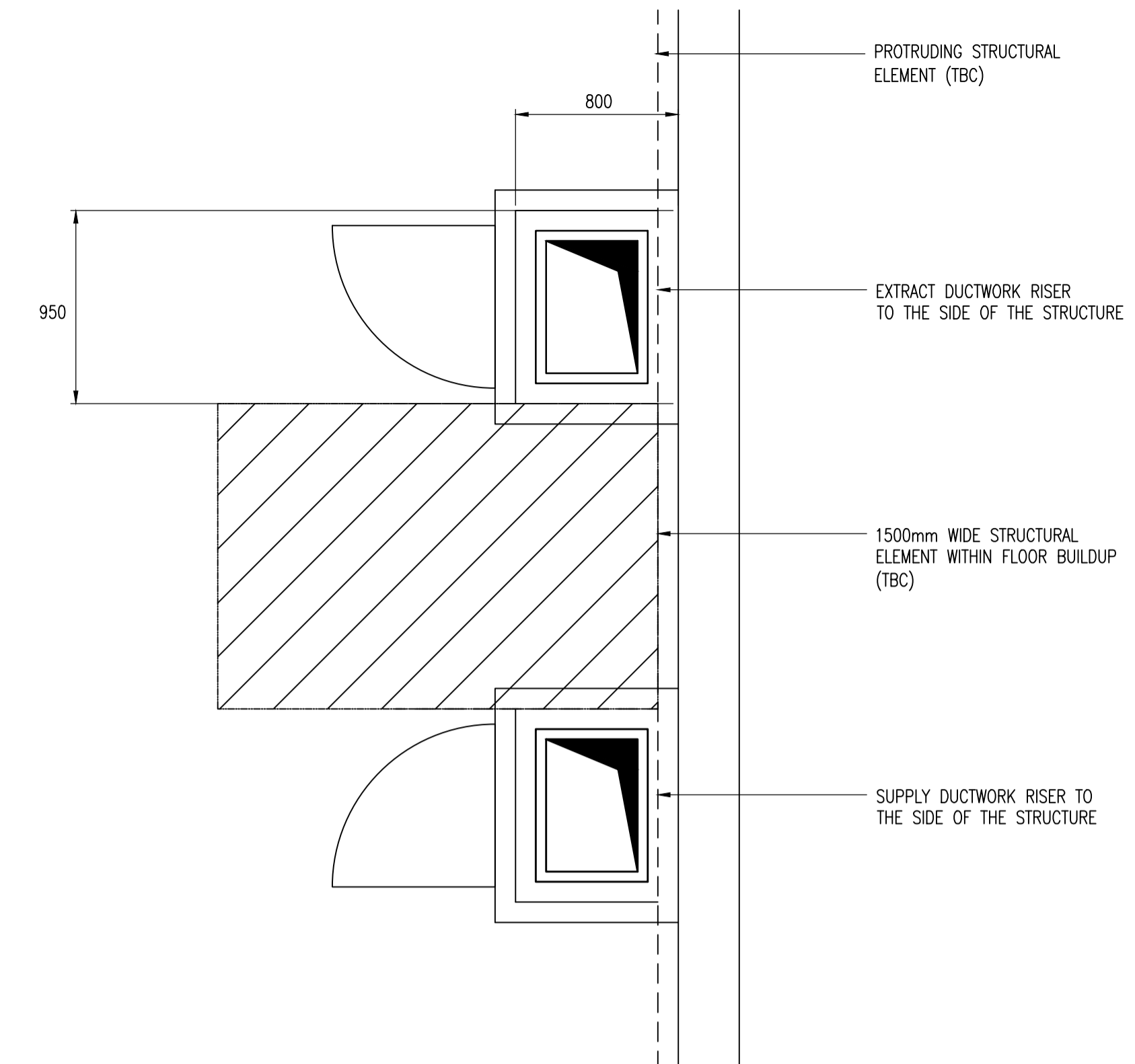


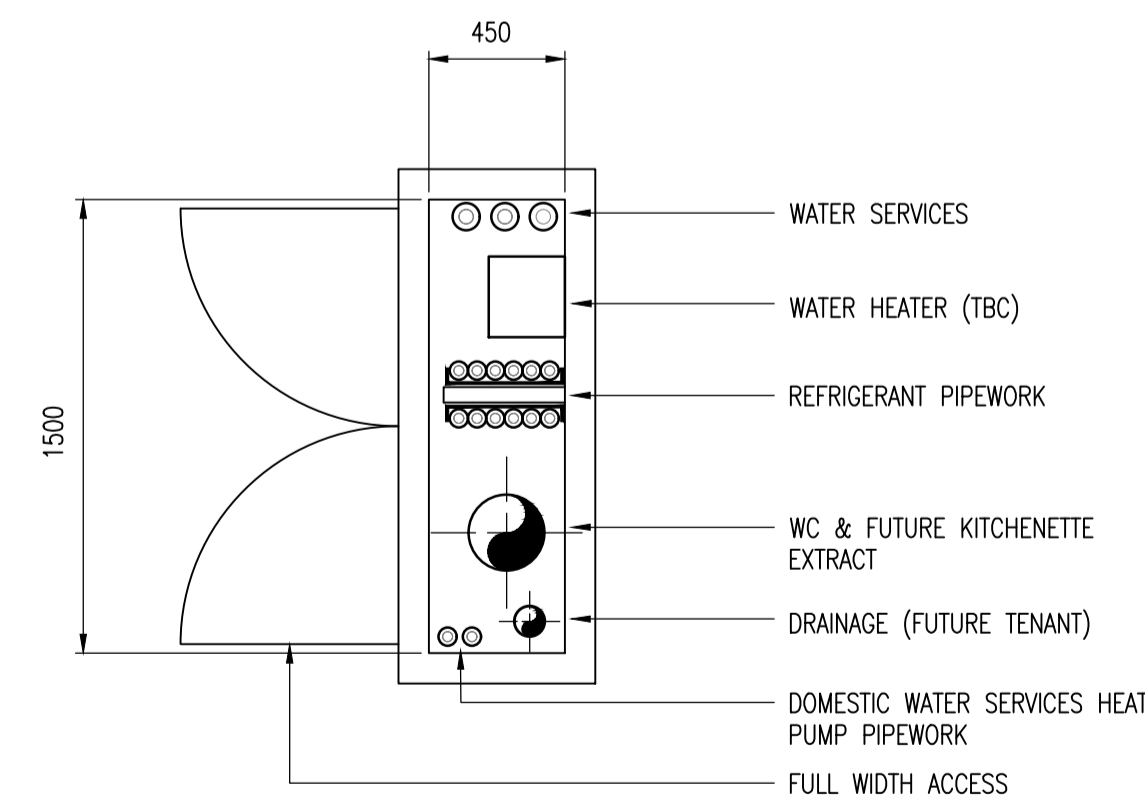
BEDFORD ROW MECHANICAL AND ELECTRICAL RISER



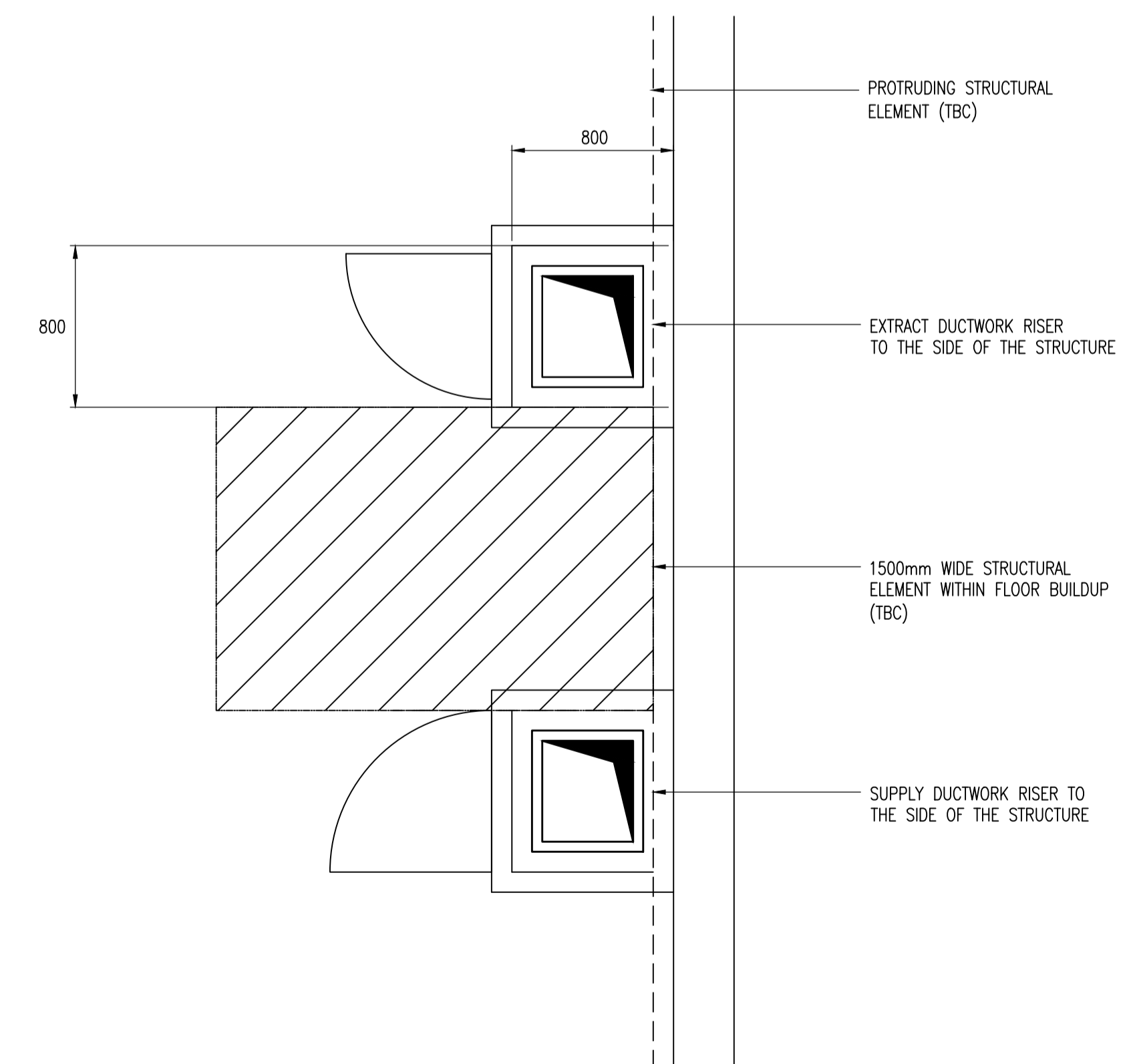
BEDFORD ROW VENTILATION RISER



JOCKEY'S FIELDS ELECTRICAL RISER



JOCKEY'S FIELDS MECHANICAL RISER



JOCKEY'S FIELDS VENTILATION RISER

Notes:

Rev	Date	Description	DRN
P1	Sep 22	Stage 2	

Status: PRELIMINARY



Client: FROGMORE ESTATES

Architect: HÛT ARCHITECTURE

Project: 3 - 5 BEDFORD ROW LONDON

Drawing: SERVICES RISER DETAILS

Filename: 2221-CES-BR Job No: 2221

Date: AUG 2022 Scale: 1:25 @ A1

Drg No: 2221-CES-BR-ZZ-DR-Z-5000 Revision: P1

This drawing is property of Cream Engineering Services Ltd. Copyright is reserved by Cream Engineering Services Ltd and the drawing shall not be copied, reproduced or otherwise used without consent of it.