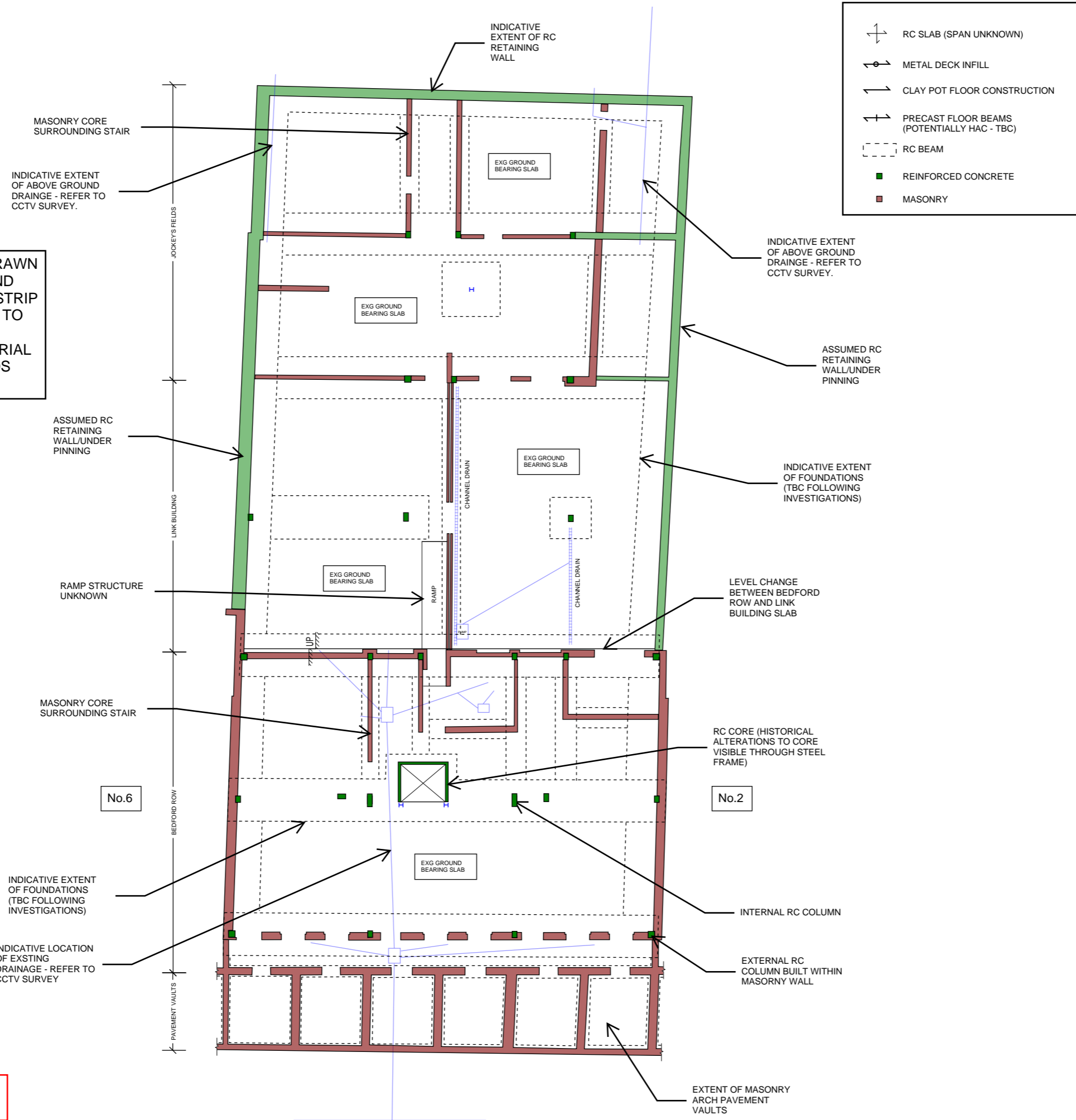


A Existing Drawings

**EXISTING STRUCTURE TBC
POST STRIP OUT WORKS**

STRUCTURE SHOWN HAS BEEN DRAWN
BASED ON ARCHIVE DRAWINGS AND
LIMITED SITE VISITS. FOLLOWING STRIP
OUT WORKS THE CONTRACTOR IS TO
CONFIRM STRUCTURE SHOWN,
RECORD SIZE & DETERMINE MATERIAL
OF ASSUMED STRUCTURE. PHOTOS
REQUIRED

**DRAINAGE SHOWN INDICATIVELY -
TBC FOLLOWING CCTV SURVEY**



	RC SLAB (SPAN UNKNOWN)
	METAL DECK INFILL
	CLAY POT FLOOR CONSTRUCTION
	PRECAST FLOOR BEAMS (POTENTIALLY HAC - TBC)
	RC BEAM
	REINFORCED CONCRETE
	MASONRY

This drawing is to be read in conjunction with all relevant architects, engineers and specialists drawings and specifications.

Do not scale from this drawing.

P2	02/09/22	MLO	MLO	Updated following site visit
P1	04/08/22	MLO	AMa	For Information

rev	date	by	chk	description
-----	------	----	-----	-------------

elliottwood | engineering a better society

Elliott Wood Partnership Ltd
Central London • Wimbledon • Nottingham
Consulting Structural and Civil Engineers
(020) 7499 5888 • elliottwood.co.uk

Project
3-5 Bedford Row

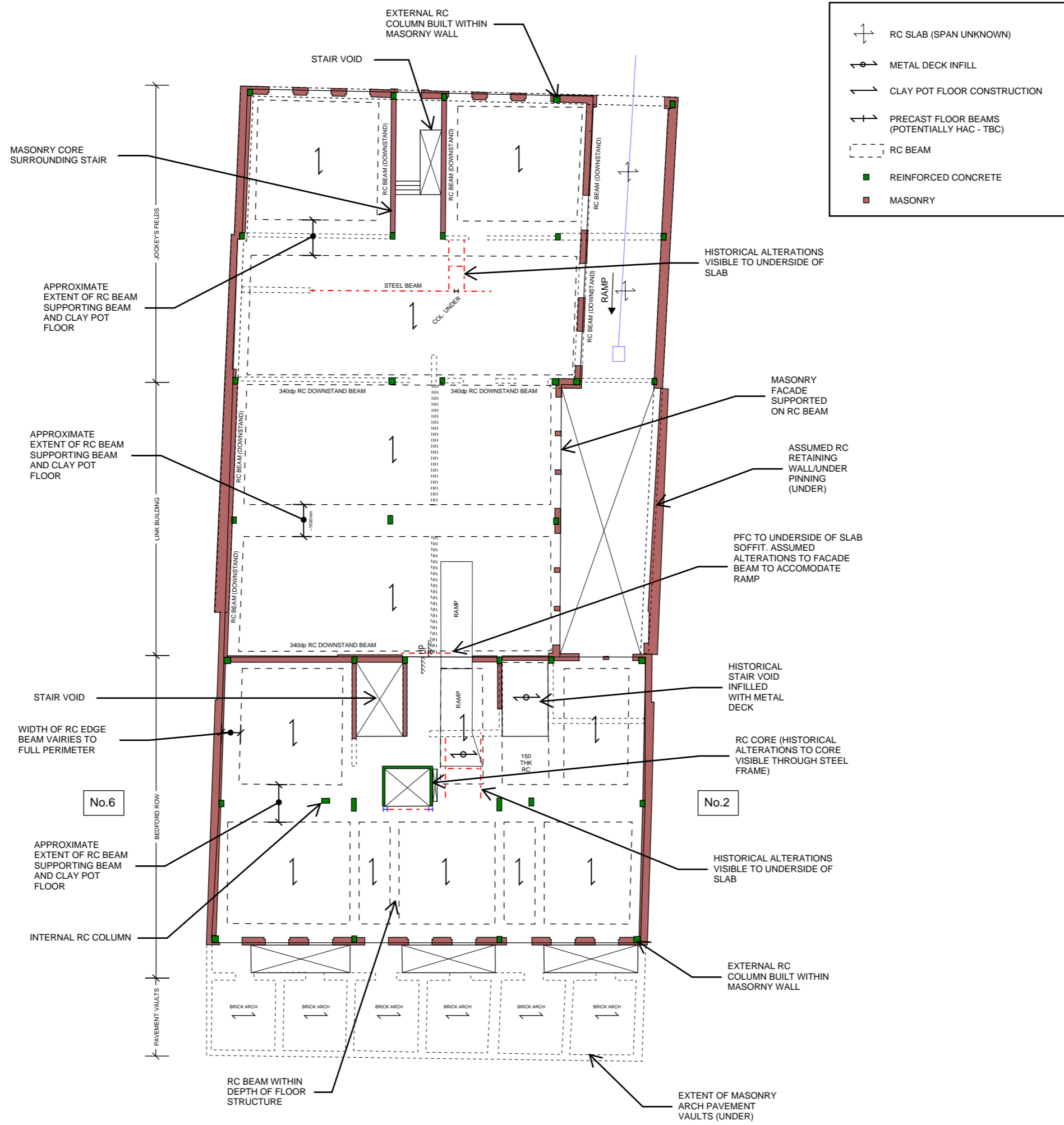
Drawing title
Existing
Basement B1

Scale	Date	Drawn
NTS	04/08/22	MLO

Drawing status	Status	Revision
Preliminary	S1	P2

Project no. Originator Zone Level Type Role drg no.
2220153-EWP-ZZ-XX-SK-S-0001

**EXISTING STRUCTURE TBC
POST STRIP OUT WORKS**



This drawing is to be read in conjunction with all relevant architects, engineers and specialists drawings and specifications.

Do not scale from this drawing.

P2 02/09/22 MLo MLo Updated following site visit
P1 04/08/22 MLo AMa For Information

rev	date	by	chk	description
-----	------	----	-----	-------------



Elliott Wood Partnership Ltd
Central London • Wimbledon • Nottingham
Consulting Structural and Civil Engineers
(020) 7499 5888 • elliotwood.co.uk

Project
3-5 Bedford Row

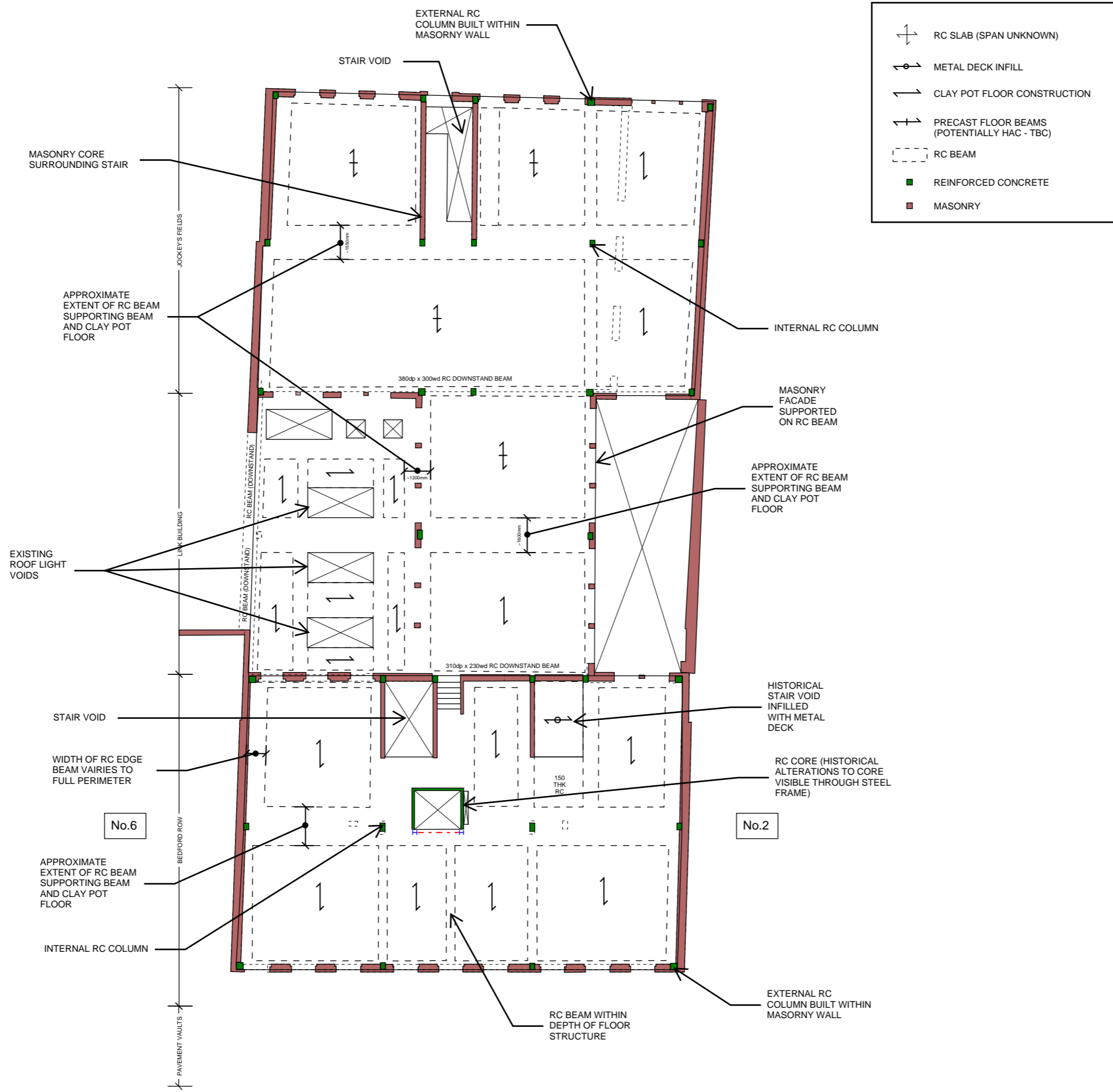
Drawing title
Existing
Ground Floor

Scale	Date	Drawn
NTS	04/08/22	MLo

Drawing status	Status	Revision
Preliminary	S1	P2

Project no. Originator Zone Level Type Role drg no.
2220153-EWP-ZZ-XX-SK-S-0002

**EXISTING STRUCTURE TBC
POST STRIP OUT WORKS**



	RC SLAB (SPAN UNKNOWN)
	METAL DECK INFILL
	CLAY POT FLOOR CONSTRUCTION
	PRECAST FLOOR BEAMS (POTENTIALLY HAC - TBC)
	RC BEAM
	REINFORCED CONCRETE
	MASONRY

This drawing is to be read in conjunction with all relevant architects, engineers and specialists drawings and specifications.

Do not scale from this drawing.

P2	02/09/22	MLo	MLo	Updated following site visit
P1	04/08/22	MLo	AMa	For Information

rev	date	by	chk	description
-----	------	----	-----	-------------



Elliott Wood Partnership Ltd
Central London • Wimbledon • Nottingham
 Consulting Structural and Civil Engineers
 (020) 7499 5888 • elliottwood.co.uk

Project
 3-5 Bedford Row

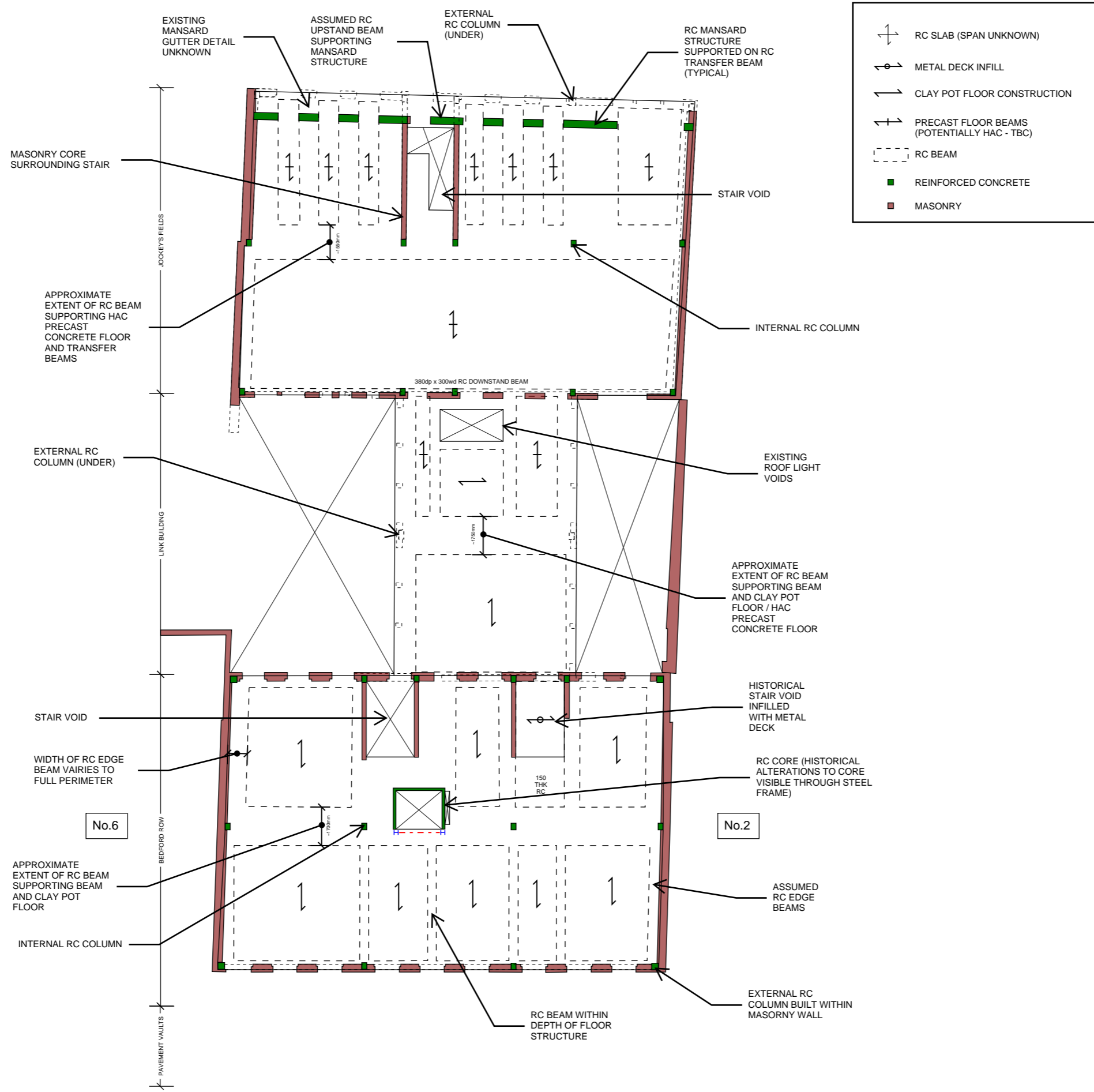
Drawing title
 Existing
 First Floor

Scale	Date	Drawn
NTS	04/08/22	MLo

Drawing status	Status	Revision
Preliminary	S1	P2

Project no. Originator Zone Level Type Role drg no.
 2220153-EWP - ZZ -XX - SK - S - 0003

**EXISTING STRUCTURE TBC
POST STRIP OUT WORKS**



This drawing is to be read in conjunction with all relevant architects, engineers and specialists drawings and specifications.

Do not scale from this drawing.

P2	02/09/22	MLo	MLo	Updated following site visit
P1	04/08/22	MLo	AMa	For Information

rev	date	by	chk	description
-----	------	----	-----	-------------

elliottwood | engineering a better society

Elliott Wood Partnership Ltd
 Central London • Wimbledon • Nottingham
 Consulting Structural and Civil Engineers
 (020) 7499 5888 • elliottwood.co.uk

Project
 3-5 Bedford Row

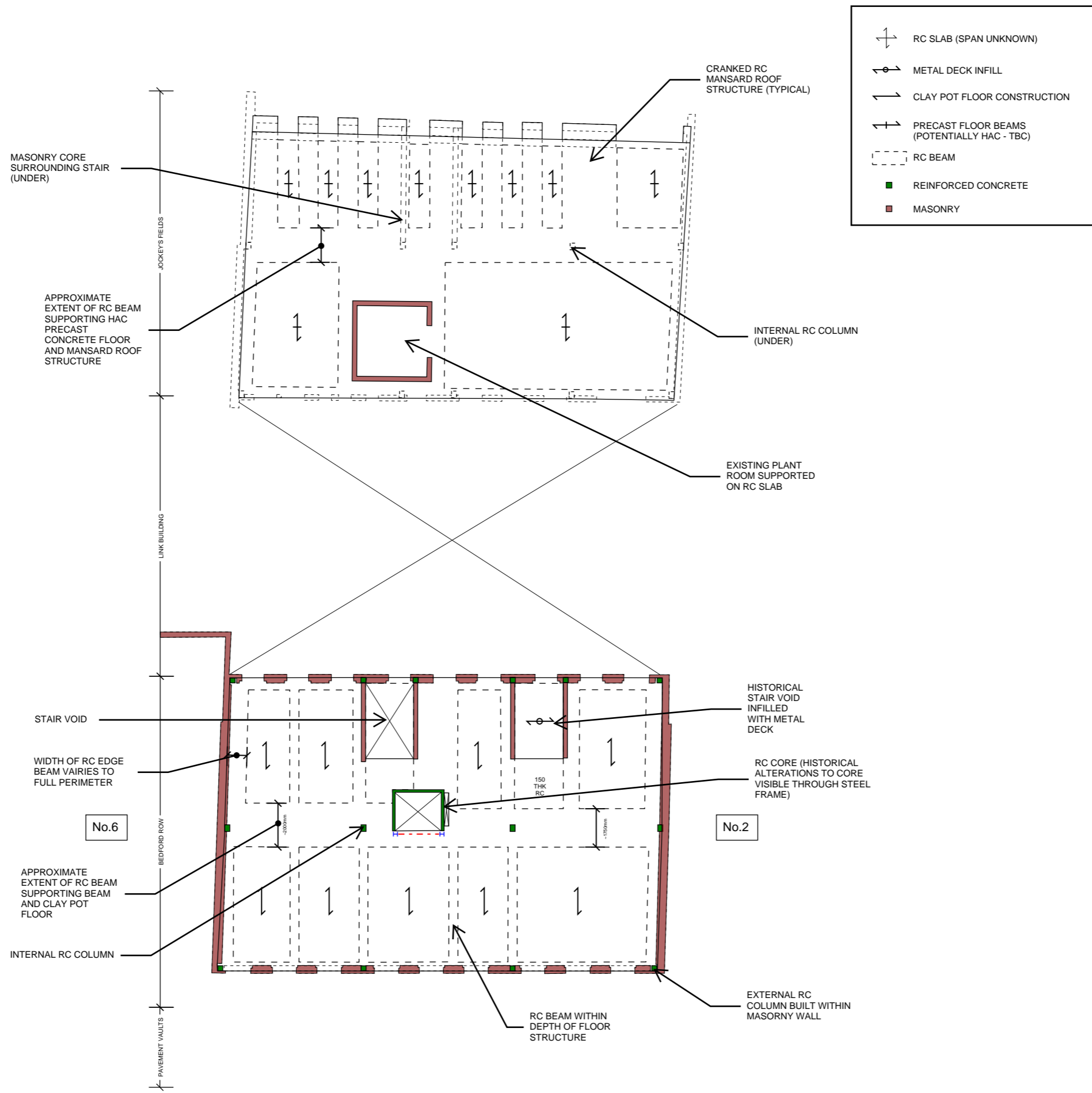
Drawing title
 Existing
 Second Floor

Scale	Date	Drawn
NTS	04/08/22	MLo

Drawing status	Status	Revision
Preliminary	S1	P2

Project no. Originator Zone Level Type Role drg no.
 2220153-EWP-ZZ-XX-SK-S-0004

**EXISTING STRUCTURE TBC
POST STRIP OUT WORKS**



This drawing is to be read in conjunction with all relevant architects, engineers and specialists drawings and specifications.

Do not scale from this drawing.

P2	02/09/22	MLo	MLo	Updated following site visit
P1	04/08/22	MLo	AMa	For Information

rev	date	by	chk	description
-----	------	----	-----	-------------

elliottwood | engineering a better society

Elliott Wood Partnership Ltd
Central London • Wimbledon • Nottingham
 Consulting Structural and Civil Engineers
 (020) 7499 5888 • elliottwood.co.uk

Project
3-5 Bedford Row

Drawing title
Existing
Third Floor

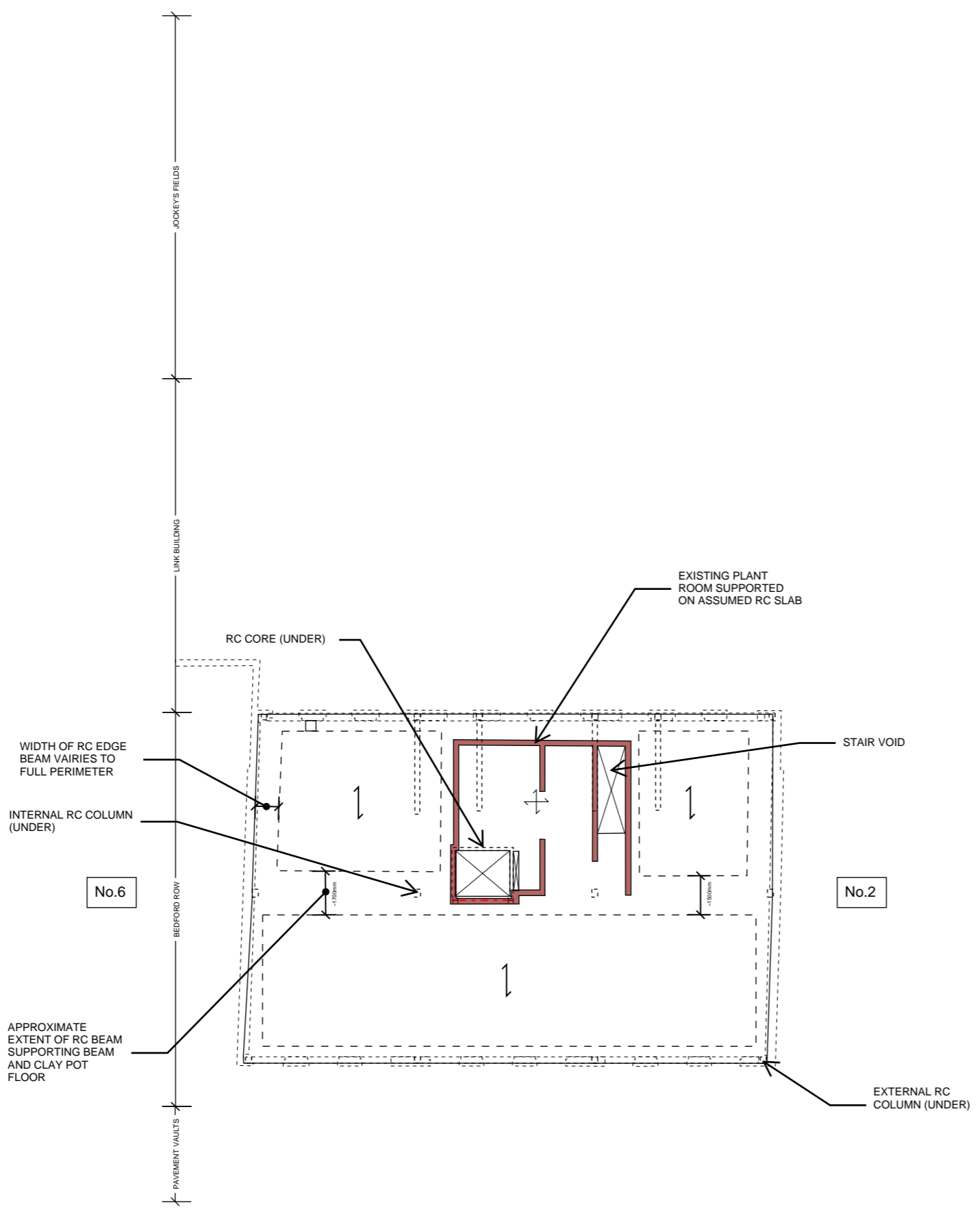
Scale	Date	Drawn
NTS	04/08/22	MLo

Drawing status	Status	Revision
Preliminary	S1	P2

Project no. Originator Zone Level Type Role drg no.
 2220153-EWP-ZZ-XX-SK-S-0005

**EXISTING STRUCTURE TBC
POST STRIP OUT WORKS**

	RC SLAB (SPAN UNKNOWN)
	METAL DECK INFILL
	CLAY POT FLOOR CONSTRUCTION
	PRECAST FLOOR BEAMS (POTENTIALLY HAC - TBC)
	RC BEAM
	REINFORCED CONCRETE
	MASONRY



This drawing is to be read in conjunction with all relevant architects, engineers and specialists drawings and specifications.

Do not scale from this drawing.

P2	02/09/22	MLo	MLo	Updated following site visit
P1	04/08/22	MLo	AMa	For Information

rev	date	by	chk	description
-----	------	----	-----	-------------



Elliott Wood Partnership Ltd
Central London • Wimbledon • Nottingham
 Consulting Structural and Civil Engineers
 (020) 7499 5888 • elliottwood.co.uk

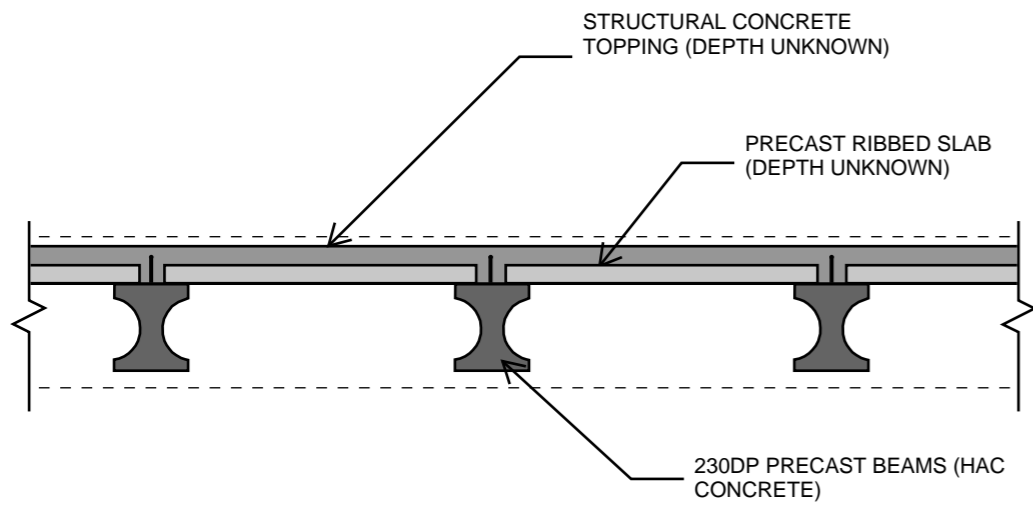
Project
 3-5 Bedford Row

Drawing title
 Existing
 Fourth Floor

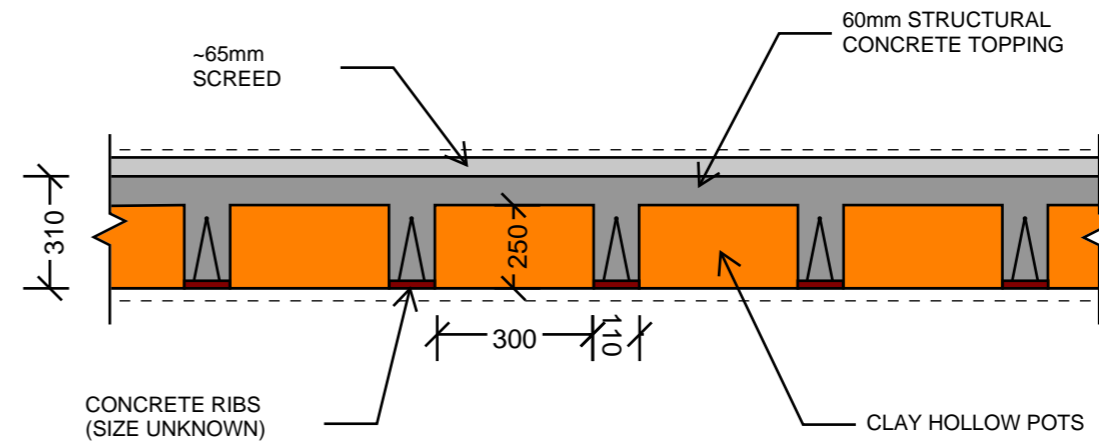
Scale	Date	Drawn
NTS	04/08/22	MLo

Drawing status	Status	Revision
Preliminary	S1	P2

Project no. Originator Zone Level Type Role drg no.
 2220153-EWP-ZZ-XX-SK-S-0006

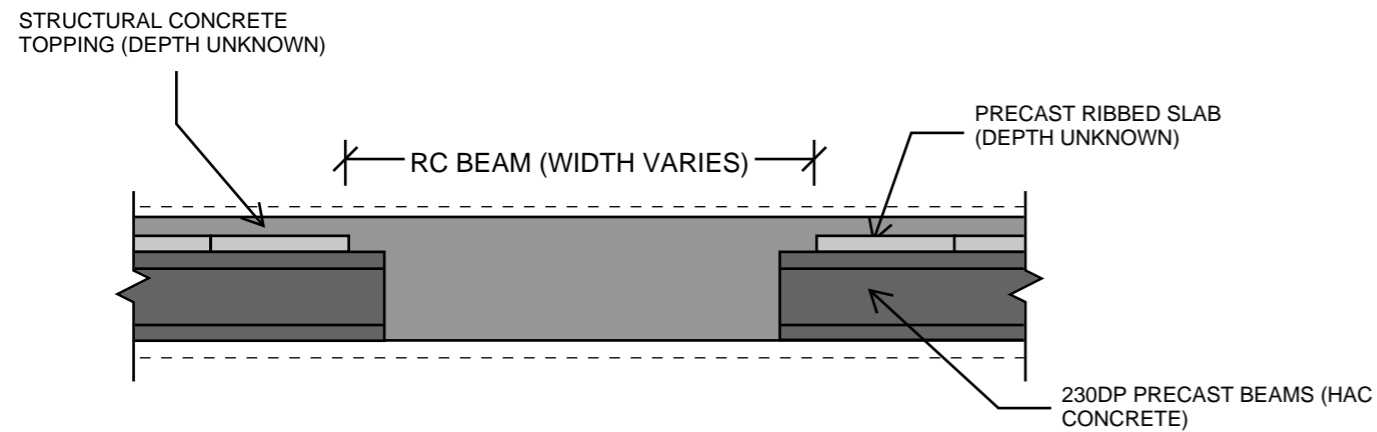


PRECAST FLOOR CONSTRUCTION SECTION

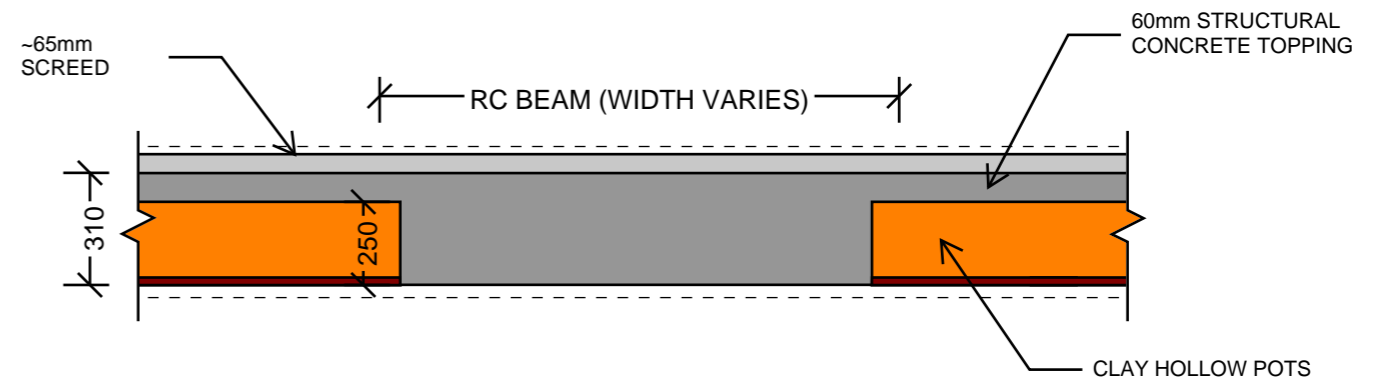


CLAYPOT FLOOR CONSTRUCTION SECTION

EXISTING STRUCTURE DEPTHS TO BE DETERMINED DURING OPENING UP WORKS



TYPICAL BEAM (PRECAST FLOOR CONSTRUCTION) SECTION



TYPICAL BEAM (CLAYPOT FLOOR CONSTRUCTION) SECTION

This drawing is to be read in conjunction with all relevant architects, engineers and specialists drawings and specifications.

Do not scale from this drawing.

rev	date	by	chk	description
P2	02/09/22	MLo	MLo	Updated following site visit
P1	04/08/22	MLo	AMa	For Information

Drawing title
EXISTING FLOOR TYPES

Scale	Date	Drawn
NTS	04/08/22	MLo

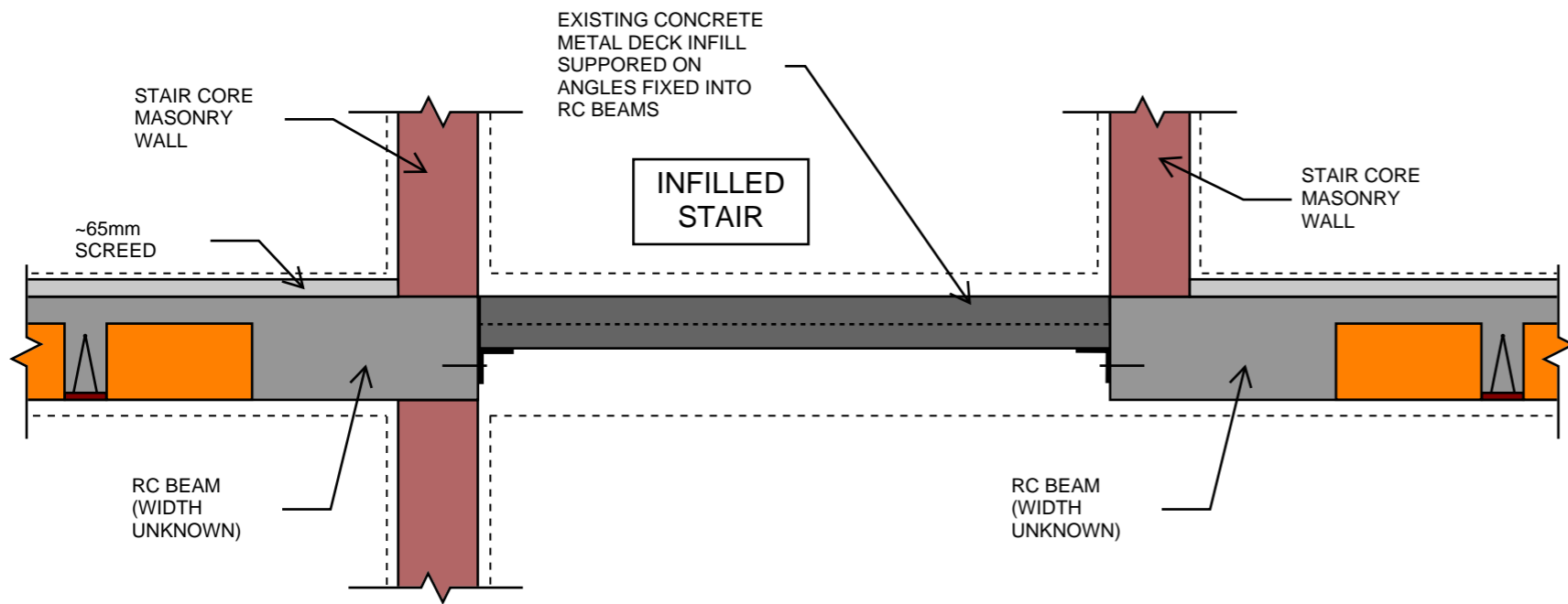
elliottwood | engineering a better society

Elliott Wood Partnership Ltd
Central London • Wimbledon • Nottingham
Consulting Structural and Civil Engineers
(020) 7499 5888 • elliottwood.co.uk

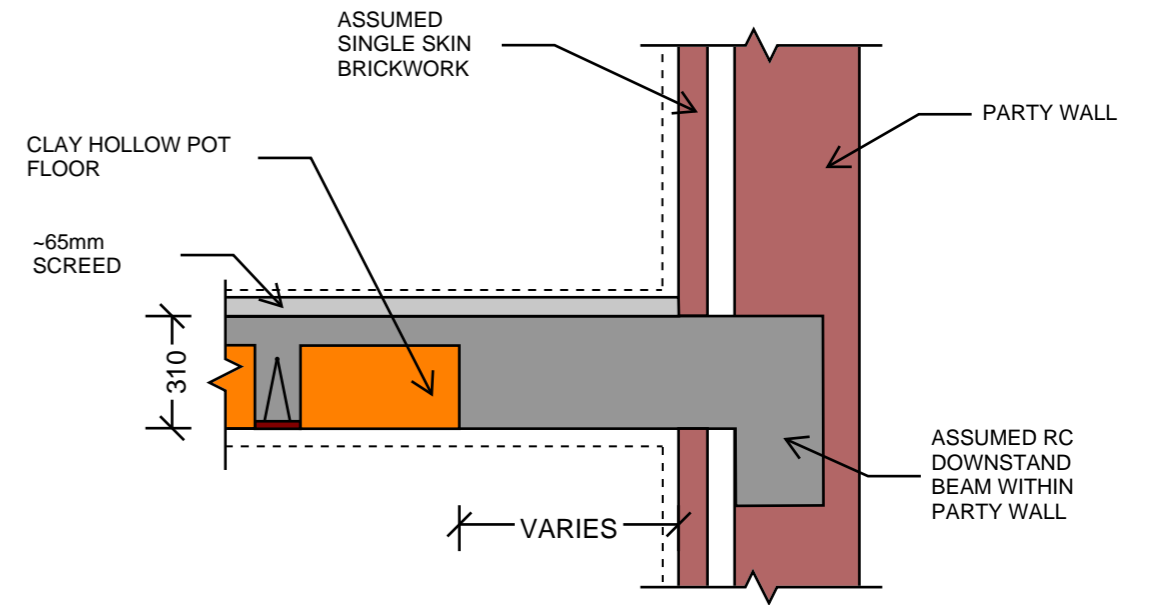
Project
3-5 Bedford Row

Drawing status	Status	Revision
For Information	S1	P2

Project no. Originator Zone Level Type Role drg no.
2220153-EWP-ZZ-XX-SK-S-0007



**SECTION THROUGH EXISTING
INFILLED STAIR CORE**



**TYPICAL SECTION THROUGH
EDGE BEAM (PARTY WALL)**

This drawing is to be read in conjunction with all relevant architects, engineers and specialists drawings and specifications.

Do not scale from this drawing.

P1	02/09/22	MLo	MLo	For Information
rev	date	by	chk	description

Drawing title
**BEDFORD ROW EXISTING DETAILS
SHEET 1**

Scale	Date	Drawn
NTS	02/09/22	MLo

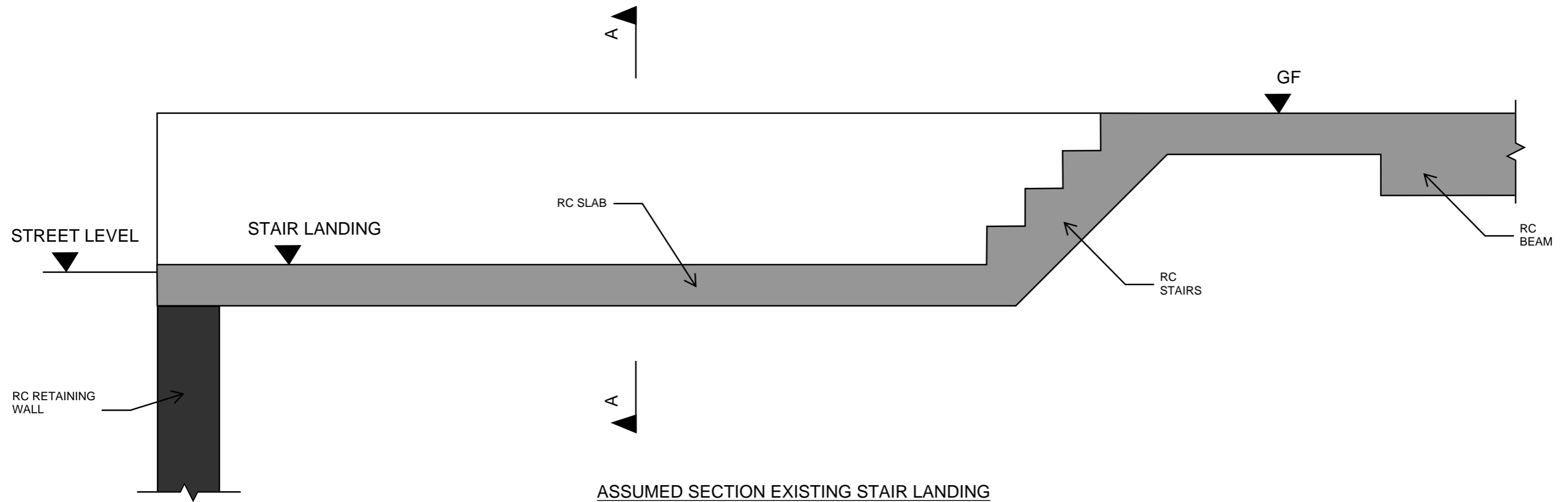
elliottwood | engineering
a better society

Elliott Wood Partnership Ltd
Central London • Wimbledon • Nottingham
Consulting Structural and Civil Engineers
(020) 7499 5888 • elliottwood.co.uk

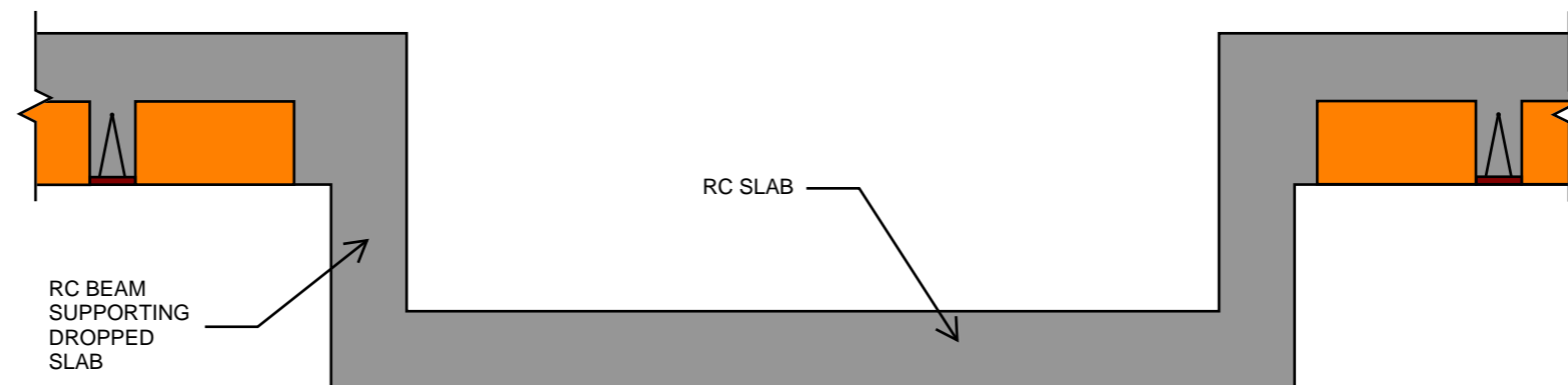
Project
3-5 Bedford Row

Drawing status	Status	Revision
For Information	S1	P1

Project no. Originator Zone Level Type Role drg no.
2220153-EWP-ZZ-XX-SK-S-0008



ASSUMED SECTION EXISTING STAIR LANDING



SECTION A-A

This drawing is to be read in conjunction with all relevant architects, engineers and specialists drawings and specifications.

Do not scale from this drawing.

P1	02/09/22	MLO	MLO	For Information
----	----------	-----	-----	-----------------

rev	date	by	chk	description

Drawing title
JOCKEY'S FIELDS
 EXISTING ENTRANCE SLAB DETAILS

Scale	Date	Drawn
NTS	02/09/22	MLO

elliottwood | engineering
 a better society

Elliott Wood Partnership Ltd
 Central London • Wimbledon • Nottingham
 Consulting Structural and Civil Engineers
 (020) 7499 5888 • elliottwood.co.uk

Project
 3-5 Bedford Row

Drawing status	Status	Revision
For Information	S1	P1

Project no.	Originator	Zone	Level	Type	Role	drg no.
2220153	EWP	ZZ	XX	SK	S	0009