

SEA[®]

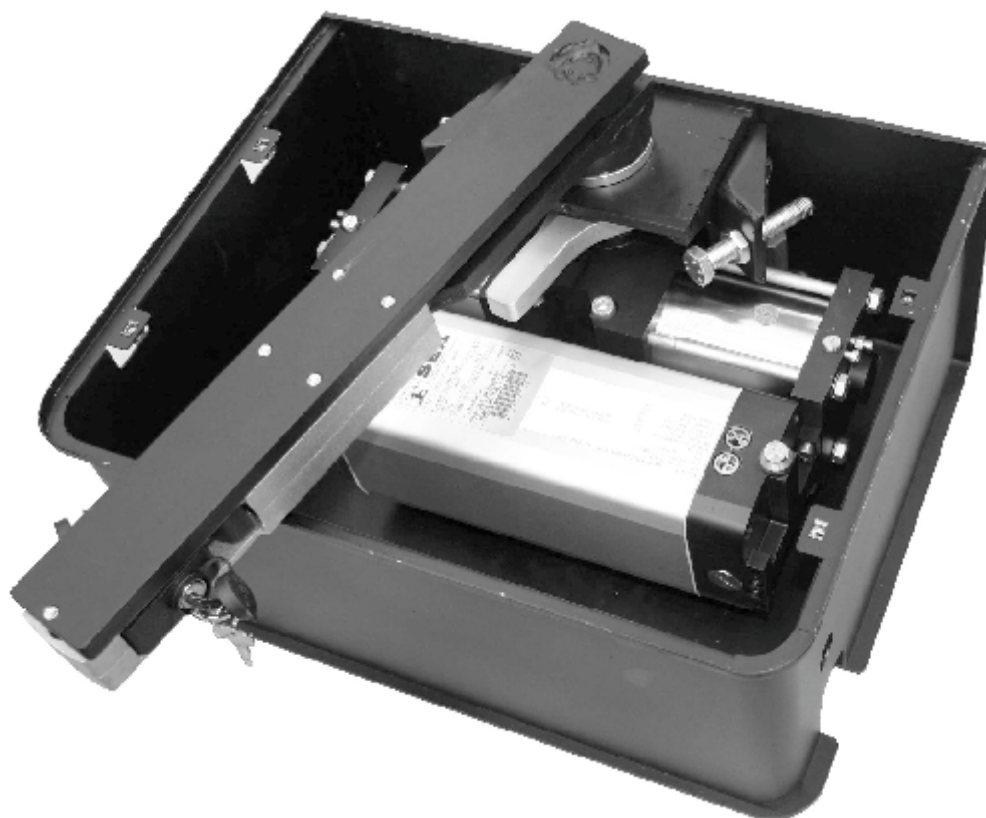
Sistemi Elettronici
di Apertura Porte e Cancelli
International registered trademark n. 804888

CE

English

COMPACT 400/800/1200/1500

Underground hydraulic operator



SEA S.p.A.

Zona industriale 64020 S.ATTO Teramo - (ITALY)
Tel. 0861 588341 r.a. Fax 0861 588344

www.seateam.com

seacom@seateam.com

FITTING AND CONNECTION INSTRUCTIONS

The **Compact** consists of a hydraulic pump and a hydraulic jack, both of which coupled in a **supporting box treated with cataphoresis**. The pump unit casing, which is used as an oil tank, contains the electric motor, fluid pump, distributor and hydraulic oil. It is also provided with an **adjustable slowing-down device** in the two stop phases of the leaf (versions with slow-down only). The wheeling unit is composed by a double piston connected to a rack which engages with the pinion of the leaf dragging shaft. **Gates up to 2 meters** long can be securely locked using the operators internal hydraulic locking system, thus ensuring perfect keeping in closing and in opening. For gate in excess of stated value: A hydraulic non locking operator should be used in conjunction with a separate electrical locking device to ensure keeping in closing. **On the operators with hydraulic slow down it is present only during the last 15° of rotation**. The system comes with a release which allows the manual opening of the leaves in case of power failure.

MAIN PARTS NOMENCLATURE

- 1 Braking regulation screw (where provided)
- 2 Emergency release (authorized staff only)
- 3 By-pass regulation
- 4 Exit hole for electric cables
- 5 Filling oil cap
- 6 Water draining hole
- 7 Oil level indicator
- 8 Draining screw
- 9 Greaser
- 10 Crank

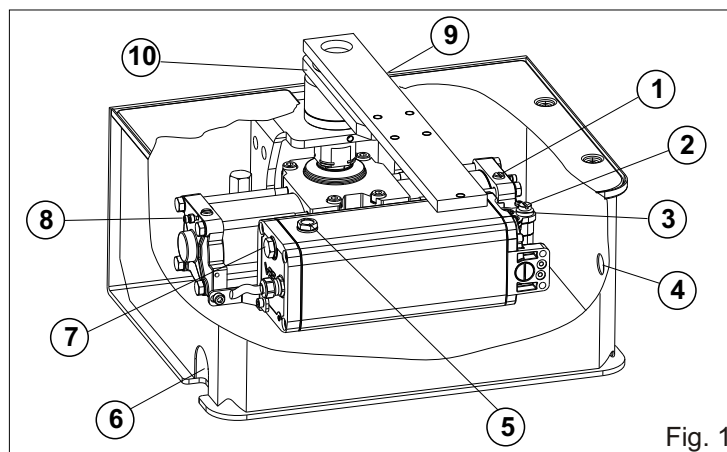


Fig. 1

DIMENSIONS (mm)

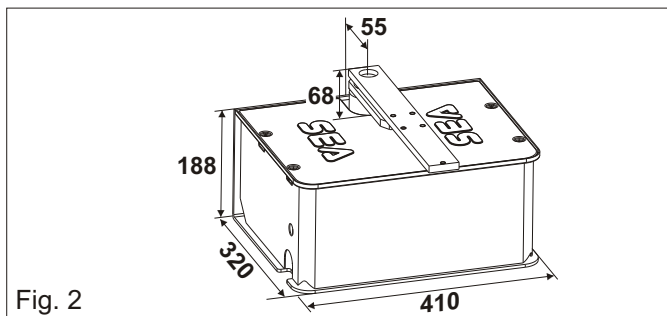
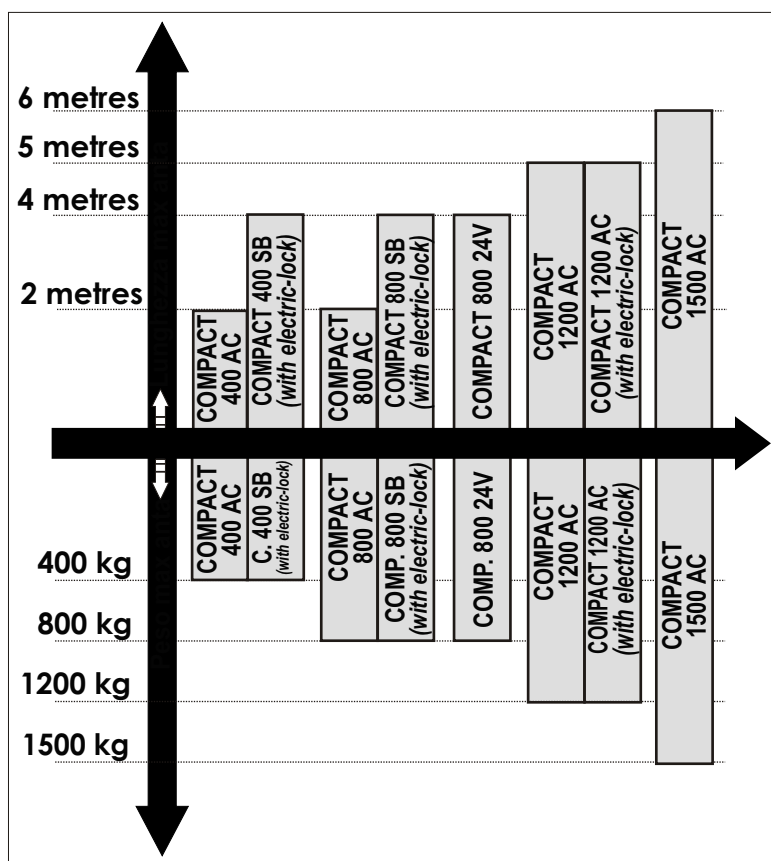


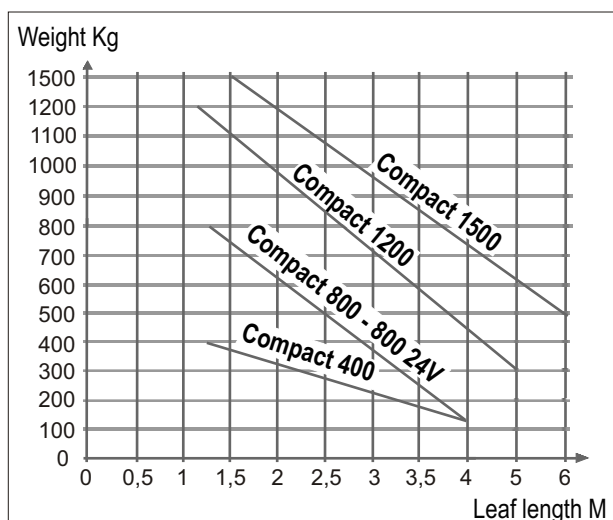
Fig. 2

GRAPHIC OF USE

COMPACT 400 - 800 - 1200 - 1500



GRAPHIC (A)



TECHNICAL FEATURES

TECHNICAL DATA	Compact 400	Compact 800	Compact 800 24V
Power supply	230V~ (±5%) 50/60 Hz		
Motor power supply	230V		24V
Motor Power	220 W		40 W
Absorbed current	1,1 A		2,0 A
Motor rotation speed	1400 rpm		2600 rpm
Angular speed	7° / s		
Cycles hour (with a 20°C temp.)	45		
Max. Working pressure	50 bar		
Operating temperature	-20°C ↯ +55°C ↯		
Thermal protection intervention	130°C		—
Max torque	56 da N		
Starting capacitor	12,5uF		—
Pump capacity	0,5 L		
Hydraulic slowdown	SI 15° AP/CH (if present)		Electronic
Weight	13 kg	13,8 kg	
Protection class	IP 67		
Maximum gate weight	400 kg	800 kg	
Max. leaf length	3 m	4 m	
Braking regulation	On control unit or on operator *		

* In case of operator with hydraulic slow down

Note: The frequency of use is valid only for the first hour at 20°C room Temperature

TECHNICAL DATA	Compact 1200	Compact 1200 (120V)	Compact 1500
Motor power supply	230V~ (±5%) 50/60 Hz	120V~ (±5%) 50/60 Hz	230V~ (±5%) 50/60 Hz
Motor Power	310 W	220 W	330 W
Absorbed current	1,5 A	2,45 A	1,6 A
Motor rotation speed	1400 rpm	1530 rpm	1400 rpm
Angular speed	8,2° / s	11° / s	8,2° / s
Cycles hour (with a 20°C temp.)	60		
Max. Working pressure	50 bar		
Operating temperature	-20°C ↯ +55°C ↯		
Thermal protection intervention	130°C		
Max torque	75 da N		82 da N
Starting capacitor	10uF	60uF	10uF
Pump capacity	1,5 L		
Hydraulic slowdown	SI 15° AP/CH (if present)		
Weight	15 kg		
Protection class	IP 67		
Maximum gate weight	1200 Kg		1500 Kg
Max. leaf length	5 m		6 m
Braking regulation	On control unit or on operator *		

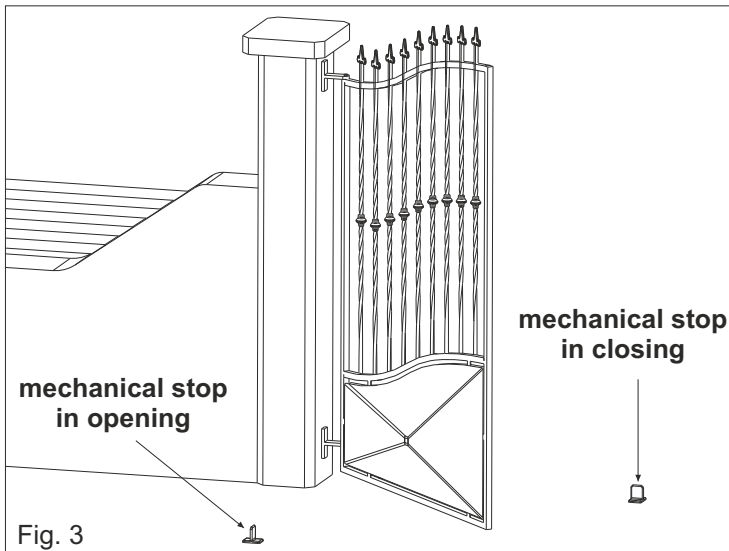
* In case of operator with hydraulic slow down

Note: The frequency of use is valid only for the first hour at 20°C room Temperature

1. GATE ARRANGEMENT

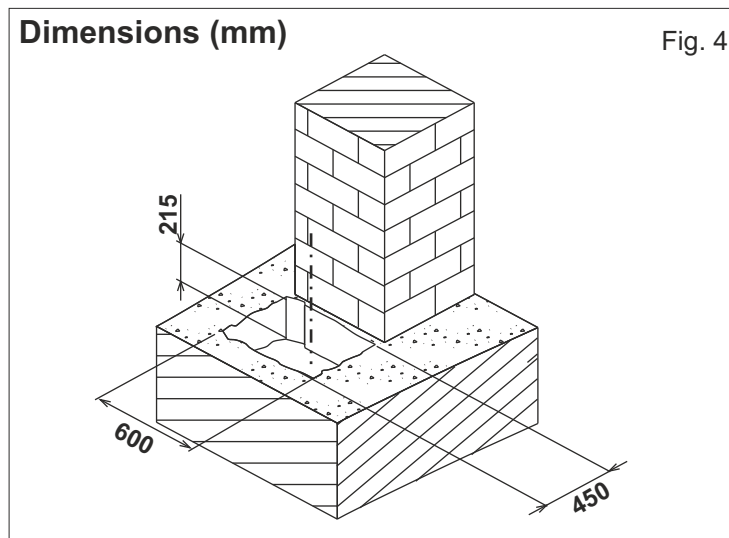
You must do some checks on the gate to see if fitting a COMPACT system is possible:

- A.** (Make sure that) the fixed and moving parts of the gate are strong and non-deformable;
- B.** the weight of each gate leaf must not exceed 400 Kg (Compact400), 800 Kg (Compact 800 - 800 24V), 1200 Kg (Compact1200), 1500 Kg (Compact1500) see the graphic;
- C.** the hinges and general structure must be in good condition and the gate must move smoothly throughout its travel;
- D.** the upper hinge alone is sufficient to install the unit; those which are unnecessary can be eliminated (the lower and that in the middle if exists);
- E.** as the limit switches are not provided within the actuator, it is necessary to install mechanical stops to be fixed to the ground in closing and in opening (Fig. 3).

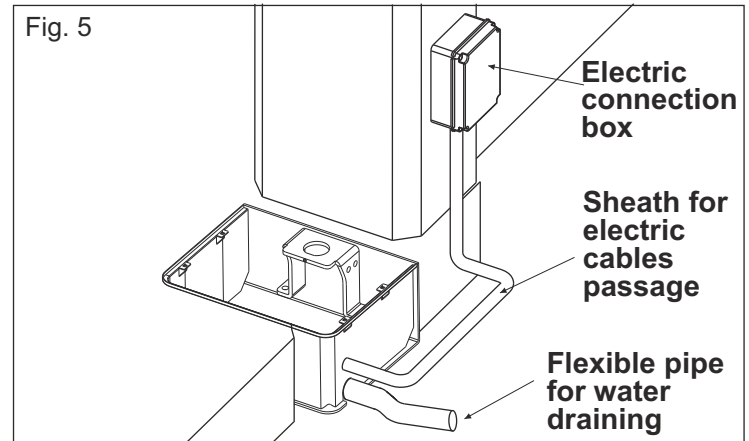


2. CARRYING BOX INSTALLATION

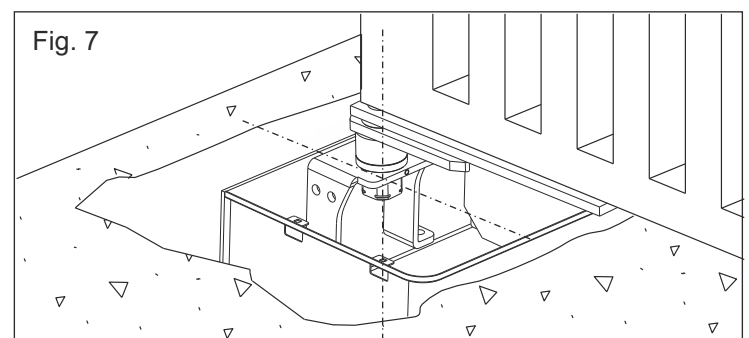
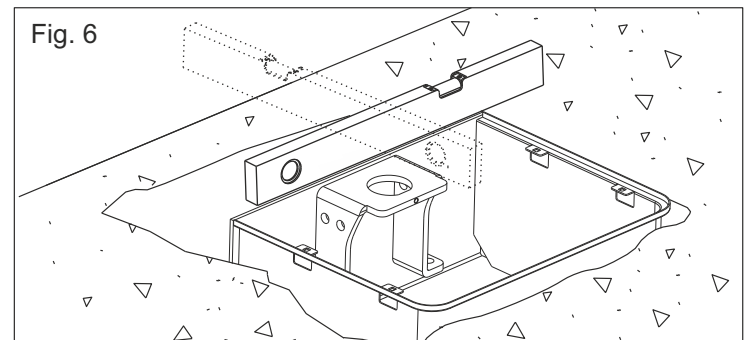
2.1. The hole which contains the carrying box must have the approximate dimensions mentioned in Fig. 4. For a correct placing, it is obligatory to follow closely the quote of 55 mm which corresponds to the minimum distance of the rotation axis from the pillar



- 2.2.** Inside the excavated pit you have to plan:
- rain water drainage;
 - a water waste pipe in flexible plastic of about 40 mm of diameter to put inside the provided hole of the box before it is concreted (Fig. 5). It must be brought until the drain of the sewer line;
 - a sheath for the passage of electrical cables of about 20 mm of diameter which must be brought to the proximity of the electric connection box (Fig. 5).



- 2.3.** Before concreting the carrying box, use a level to make it perfectly horizontal to the ground (Fig. 6) and perpendicular to the axis of the gate (Fig. 7). The axis of the upper hinge of the gate must correspond exactly to the axis of the carrying box shaft



- 2.4.** introduce the buckle of creeping in the box and fix it with the special screws (Fig. 8)

- 2.5.** Insert the units as in Fig. 8

NOTE: During the insertion of the units lubricate them with the supplied grease

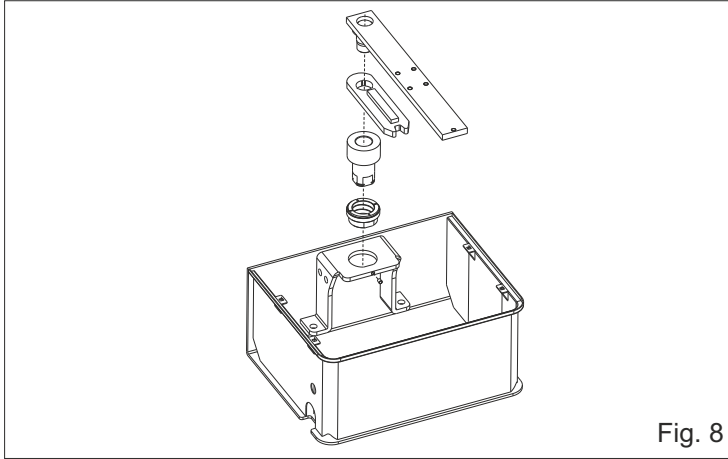


Fig. 8

3. LEAF ASSEMBLING

Before installing the gate make sure that the concrete has hardened into the foundation hole.

3.1. Position the leaf of the gate on the leaf device making reference to the rotation axe of the leaf hinge (Fig. 9);

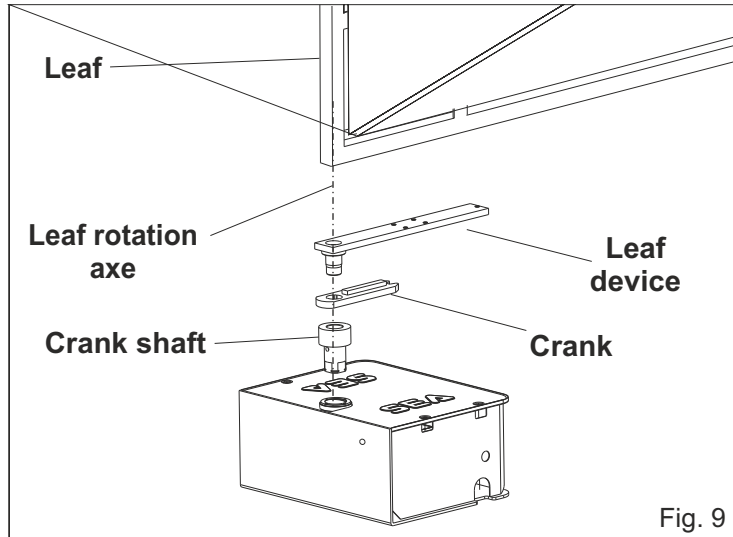


Fig. 9

3.2. Weld with care the leaf device to the leaf of the gate realizing a tract fixation of ca. 3-4 cm along the surface of the contact, avoiding the welding next to the threaded holes, furthermore it is necessary to respect the perpendicularity to the axe of rotation (Fig. 10)

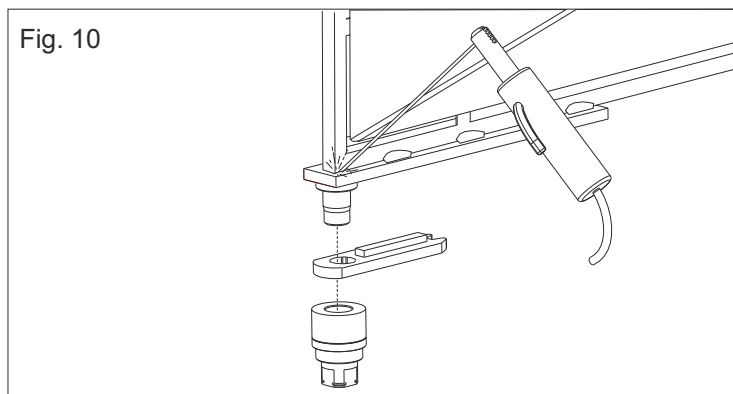


Fig. 10

3.3. Be careful not to place the leaf outside the axis (Fig. 12 and 13), but make sure the shaft corresponds to the hinge rotation axis remembering that the minimum distance from the pillar is 55 mm (Fig. 14).

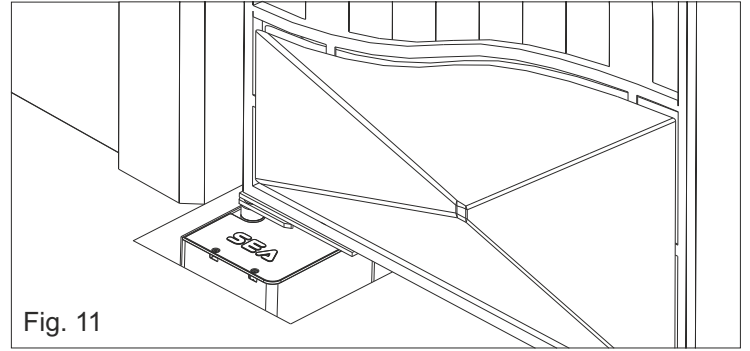


Fig. 11

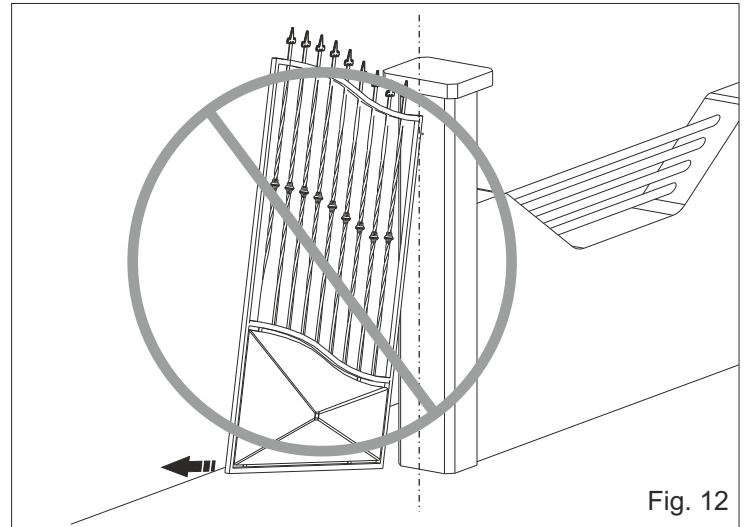


Fig. 12

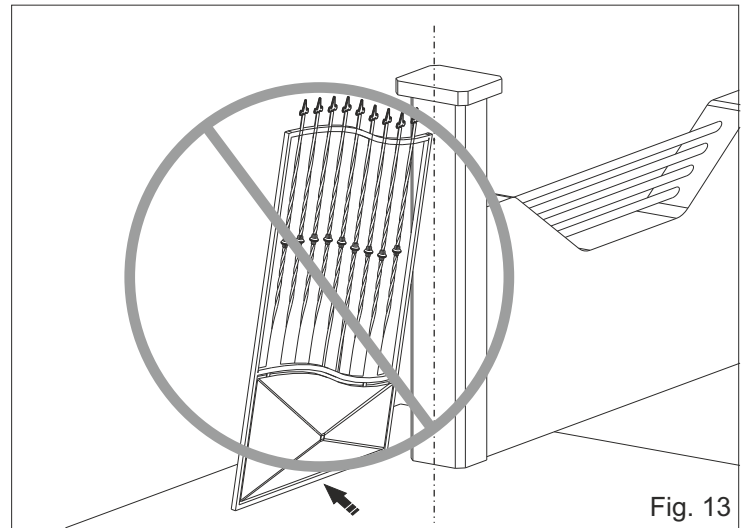


Fig. 13

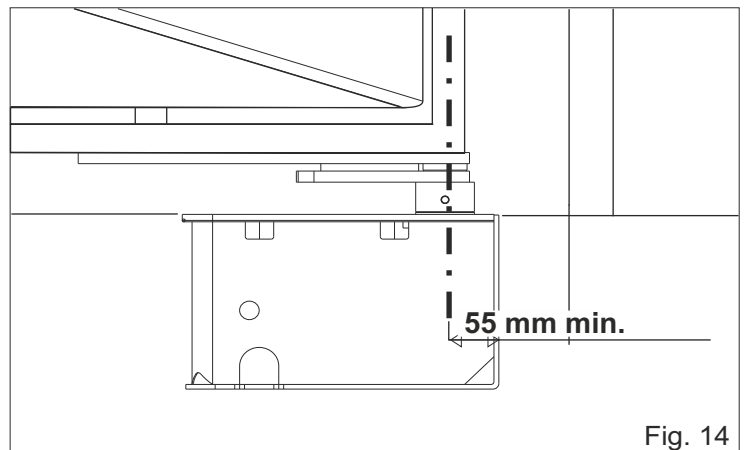


Fig. 14

4. INSTALLATION OF THE OPERATOR

4.1. Insert manually the operator into the carrying box (Fig. 15) also insert the splined shaft of the operator into the splined bush of the box and fix the operator with the special screws as in Fig. 17

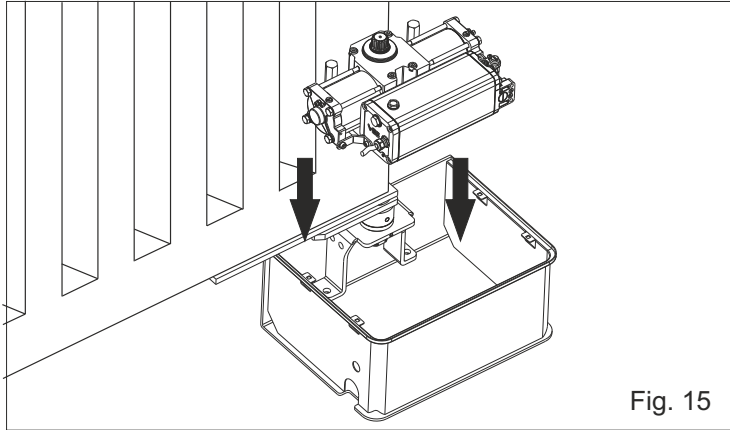


Fig. 15

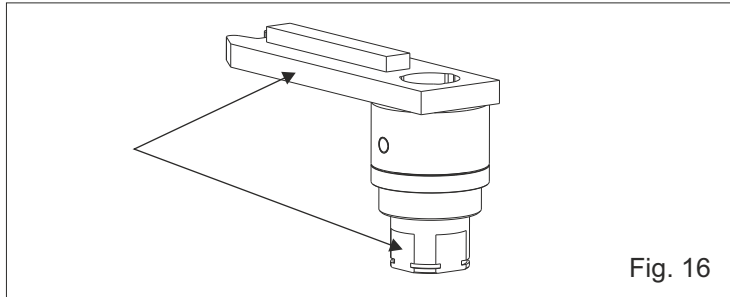


Fig. 16

NOTE.: It is advisable to weld the crank with the crank shaft after having also installed the Compact, to use the whole available run and the point of beginning of the desired slow-down (version with hydraulic slow-down).

Before welding, make sure that one of the level of the crank shaft corresponds with a side of the crank (see Fig.16 and 17) to guarantee the maximum angle with the mechanical stops Kit.

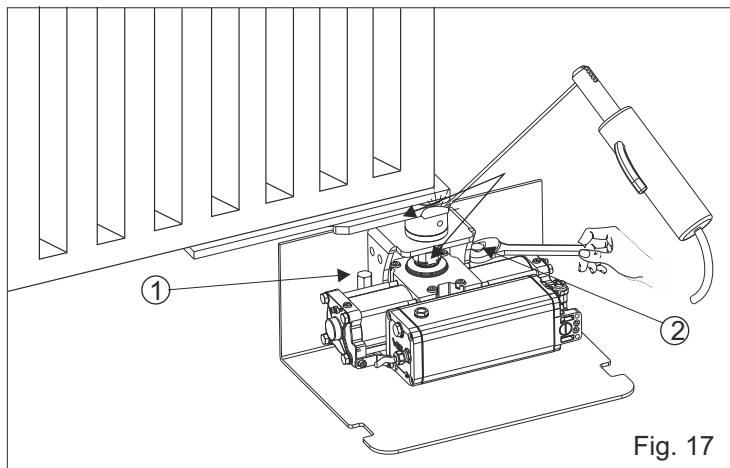


Fig. 17

NOTE: If the Compact is not installed immediately but in a second time, it is recommended to weld the crank shaft and the crank during the installation of the Compact.

4.2. Carry out the electrical connections to the control unit as described in the instructions supplied with SEA control unit. After ending all the operations in the installation of the above mentioned carrying box, of the gate and the operator, try to do some moves slowly by hand verifying that there are not irregular frictions and that the movement is uniform for the whole range.

Notice: To do this last operation, release the operator as described in the next paragraph

5. MOTOR RELEASE SYSTEM

5.1. To release act as follows:

-Turn the release screw with the screwdriver about 180° ca. in anti-clockwise direction (Fig. 18).

5.2. To stop again act as follows:

-Turn the release screw with the screwdriver into clockwise direction until it stops.

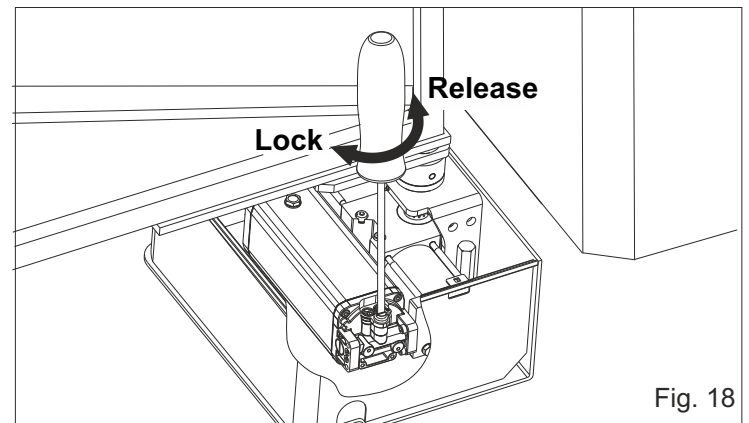


Fig. 18

6. MOUNTING OF THE RELEASE

For the Compact there are foreseen two types of release:

RELEASE (with personalised key) and RELEASE PLUS (with DIN key).

RELEASE

6.1. Grease the hinge (A) and mount the release system under the leaf device using the 4 furnished screws (Fig. 19)

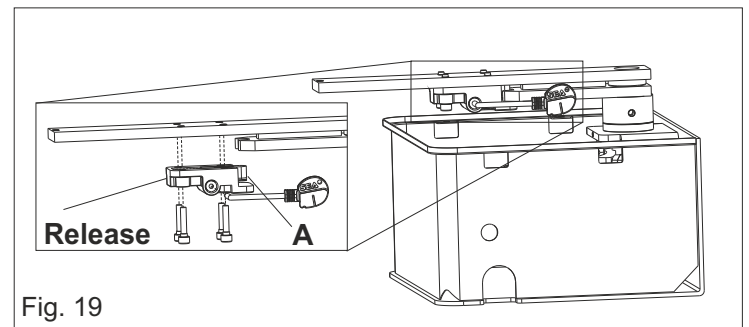
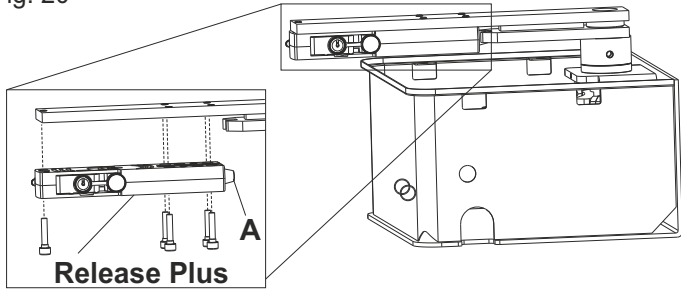


Fig. 19

RELEASE PLUS

6.2. Grease the hinge (A) and mount the release system under the leaf device using the 5 furnished screws (Fig. 20).

Fig. 20



Carry out the electrical connections to the control unit as described in the instructions supplied with SEA control unit

7. ADJUSTABLE MECHANICAL STOPS

IMPORTANT NOTE: Mechanical Stops cannot be mounted on model **COMPACT 1500**

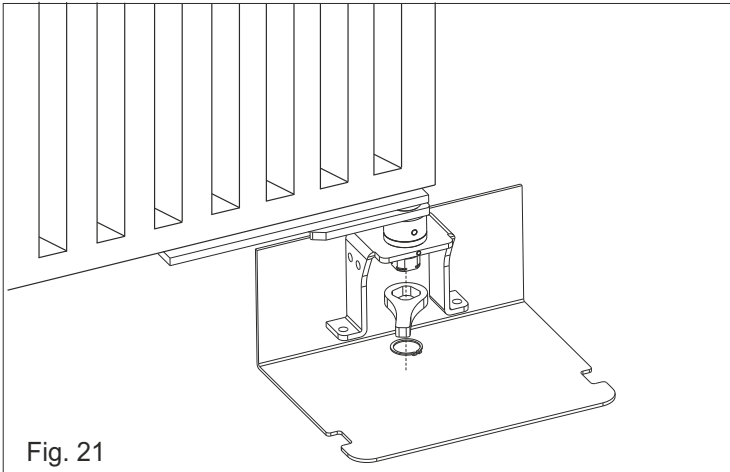


Fig. 21

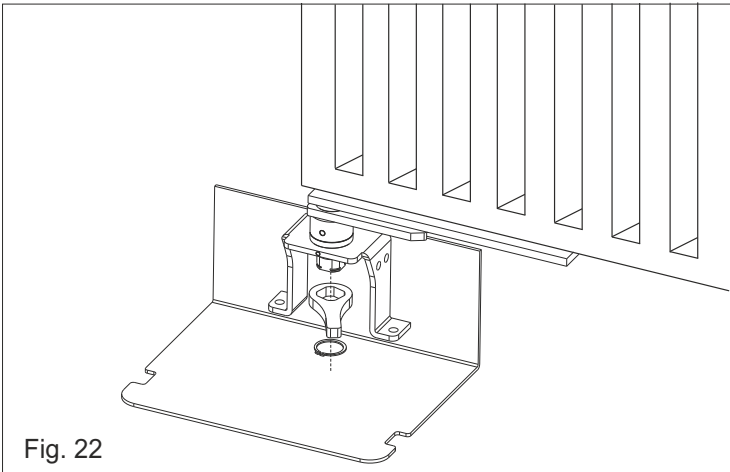


Fig. 22

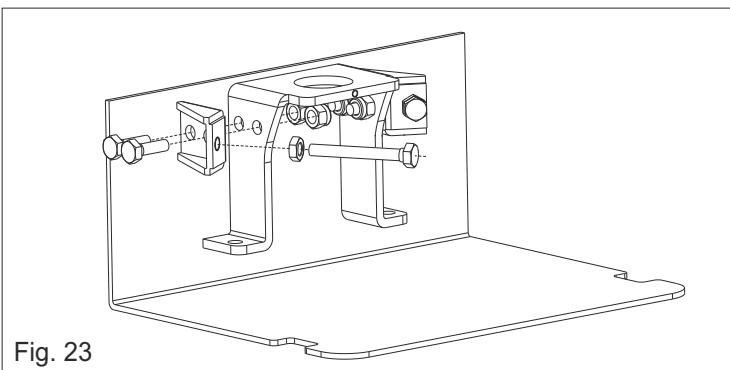


Fig. 23

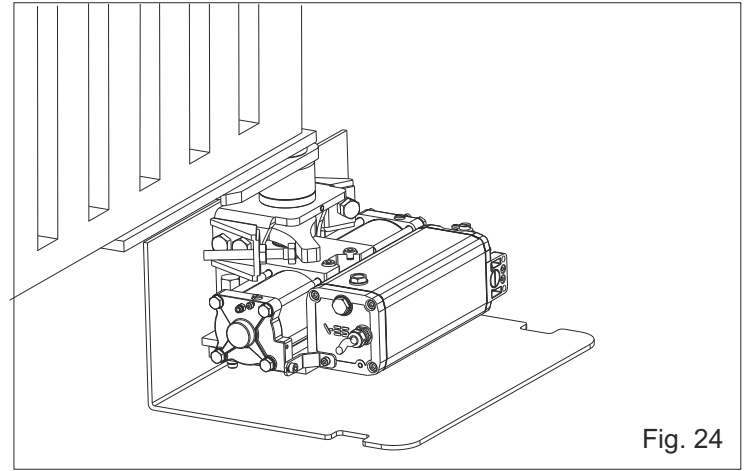


Fig. 24

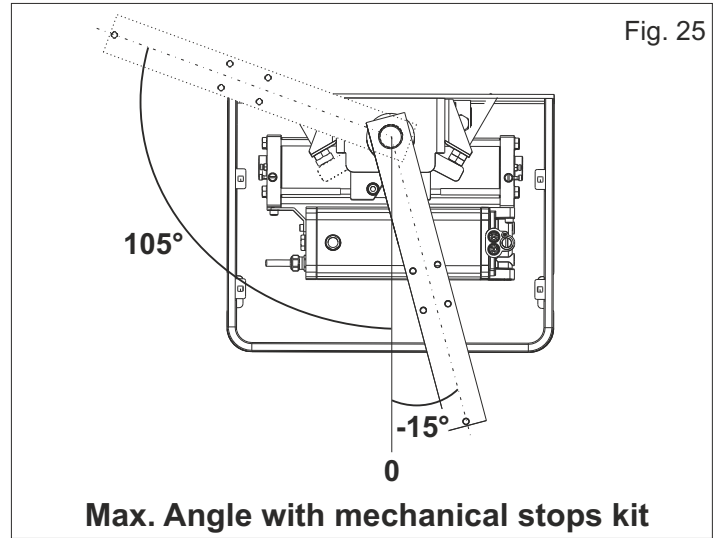
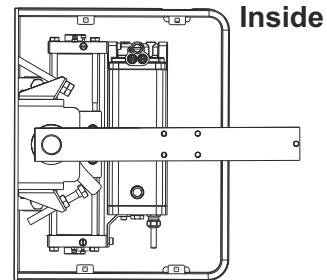


Fig. 25

Max. Angle with mechanical stops kit

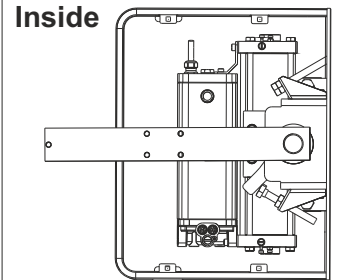
LEFT



Outside

Fig. 26

RIGHT



Outside

Fig. 27

**COMPACT 800
24V**

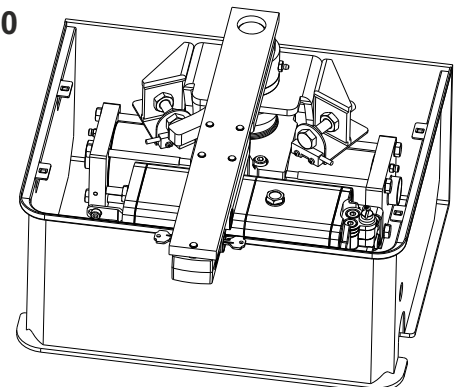


Fig. 28

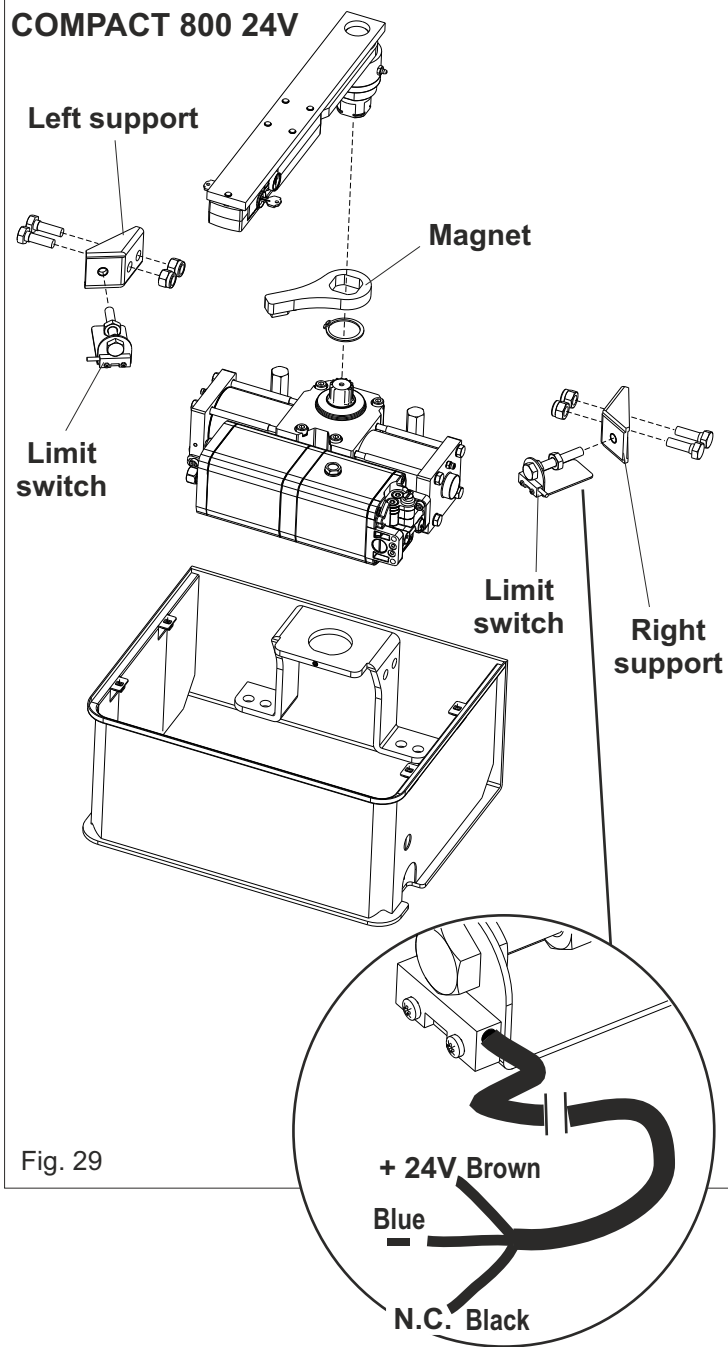
COMPACT 800 24V


Fig. 29

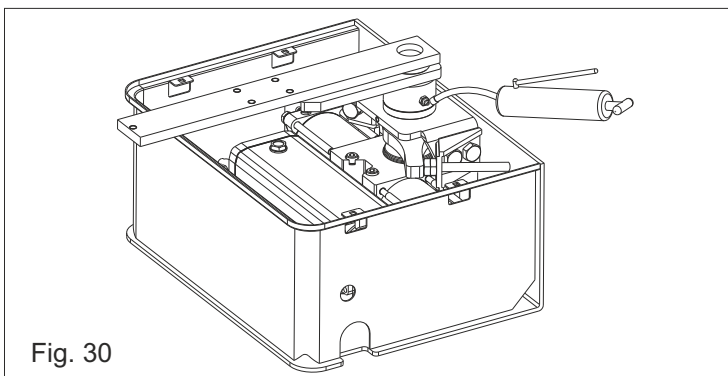


Fig. 30

When putting in function the installation it is peremptory to lubricate the box as in Fig. 30 until the grease comes out.

Use grease type **DIN 51502 KP 2 N-20 - K 2 K-20**

8. REGULATION OF THE PUSHING FORCE

The pushing force or anti-crushing force must be valued by hand or better with a dynamometer and in both the ways of rotation. To regulate such force act as follow: act on the by-pass valves with the provided key, given to the authorized installers, clockwise to increase the force, anti-clockwise to decrease it (Fig. 31). The adjustment is carried out with the gate moving and will not change the speed of the leaf.

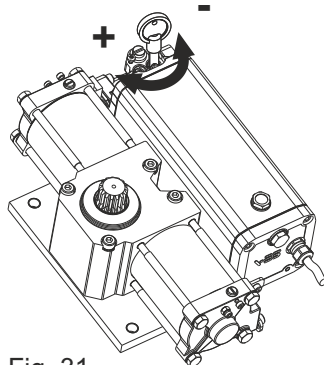
ONLY 230V VERSION


Fig. 31

NOTE:

The maximum regulation is of 15Kgf following the UNI EN 12453 law

The motor run time is the last adjustment to make. It should be set from 2 to 4 seconds higher than it takes to the gate to reach its stop. (this last regulation must be done on the electronic control unit)

9. BRAKING REGULATION (where present)

9.1. It is possible to regulate the leaf slowdown in opening and in closing, through the braking adjusting screw (Fig. 32).

9.2. To regulate slowdown operate as follow:

- Loosen the blocking screw of braking regulation
- Act on the adjusting screw clockwise to have a higher braking and a speed decrease;
- Act on the adjusting screw anti-clockwise to have a lower braking and a speed increase;
- After the regulation fix the blocking screw of braking regulation. only during the last 15° of rotation.

On the operators with hydraulic slow down it is present only during the last 15° of rotation

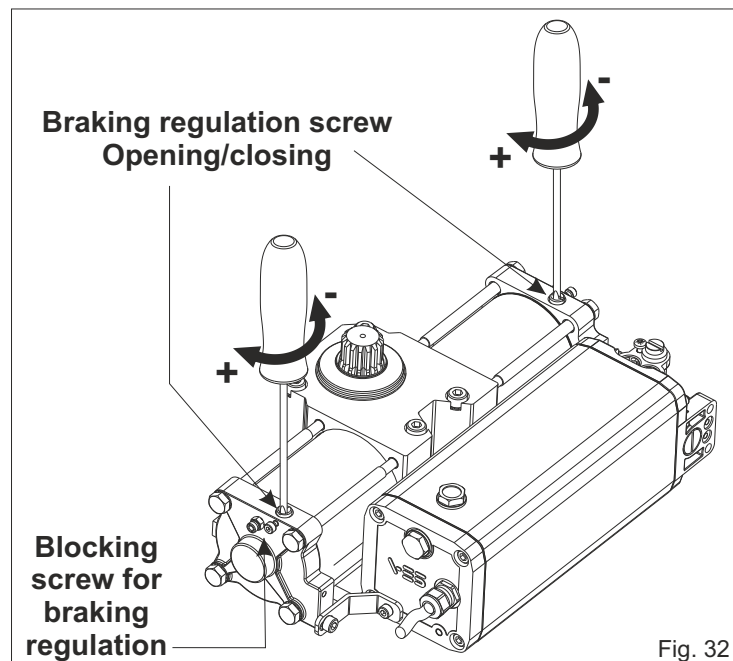
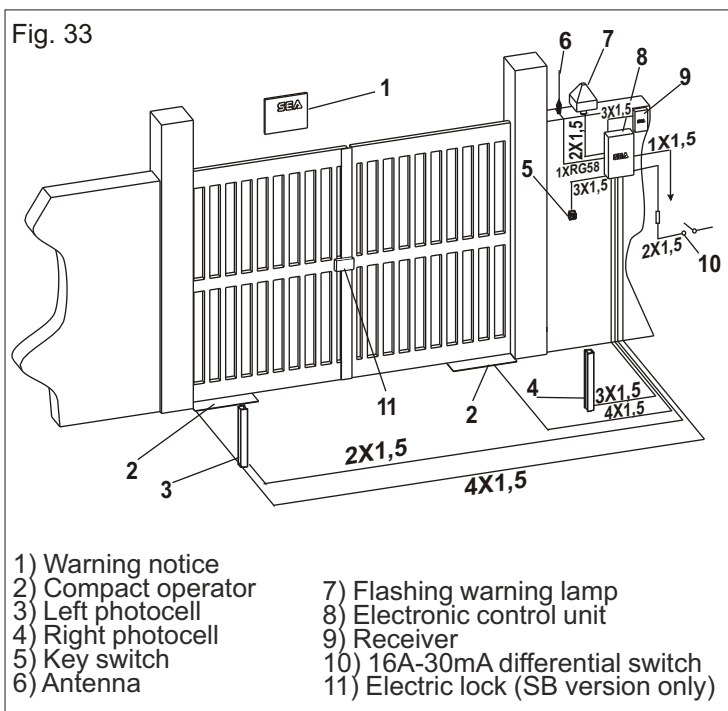


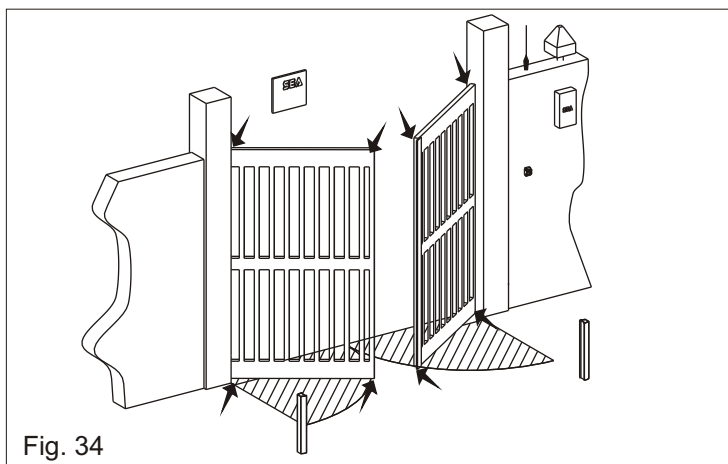
Fig. 32

10. CABLE LAYOUT (Fig. 33)



11. RISK EXAMINATION

The points pointed by arrows in Fig. 34 are potentially dangerous. The installer must take a thorough risk examination to prevent crushing, conveying, cutting, grappling, trapping so as to guarantee a safe installation for people, things and animals (Re. Laws in force in the country where installation has been made)

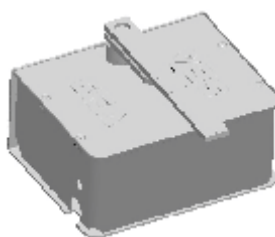


SEA can not be deemed responsible for any damage or accident caused by product breaking, being damages or accidents due to a failure to comply with the instructions herein. Read the general instructions attentively.

PERIODICAL MAINTENANCE

Check the oil level (Transparent cap n.7 in Fig. 1)	Annual
Change the oil	4 years
Verify the functionality of the by-pass valves (check the force in opening and closing)	Annual
Check the release function	Annual
Verify the slowdown regulation (where present)	Annual
Check the correct drain of the rainwater	Annual
Check the integrity of the connection cables	Annual
Grease all the moving parts	Annual
Grease the rotation axis of the box as in Fig.30	Annual

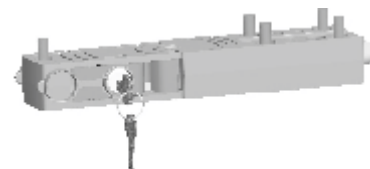
ACCESSORIES FOR COMPACT



STAINLESS STEEL CARRYING BOX



RELEASE



RELEASE PLUS

KIT MECHANICAL STOP

SAFETY PRECAUTIONS:

All electrical work should conform to current regulations. A 16 A 0,030 A differential switch must be incorporated into the source of the operators main electrical supply and the entire system properly earth bonded. Always run mains carrying cables in separate ducts to low voltage control cables to prevent mains interference.

SPARE PARTS:

To obtain spare parts contact:

SEAS.p.A. - Zona Ind.le, 64020 S. ATTO Teramo Italia

SEA reserves the right to do changes or variations that may be necessary to its products with no obligation to notice.

To the attention of users and technicians

12. RELEASE SYSTEM OF THE LEAVES

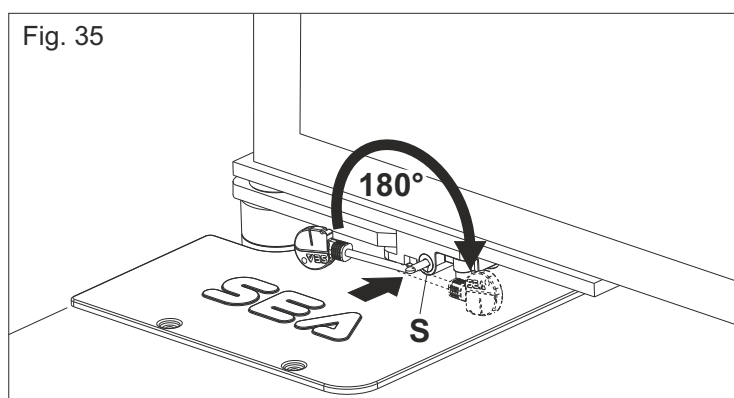
RELEASE

12.1. To release act as follows:

- Insert the enclosed key into the keyhole (S) and turn the handle about 180° against the centre of the gate (Fig. 35).
- Keep the key locked and move the leaf, now turn back the key to the normal position and extract it.

12.2. To stop again act as follows:

- Move the leaf until the lock has coupled again.



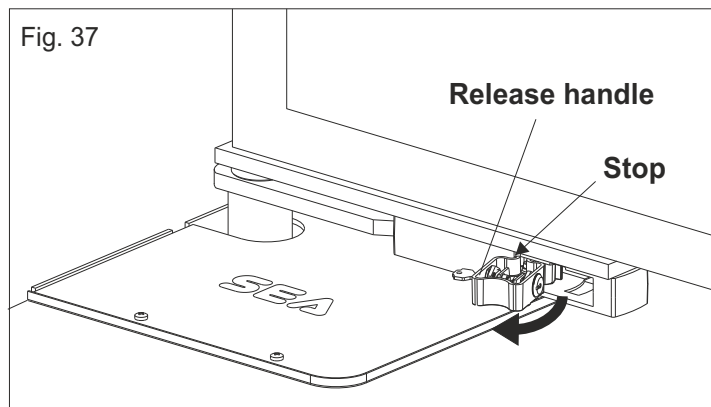
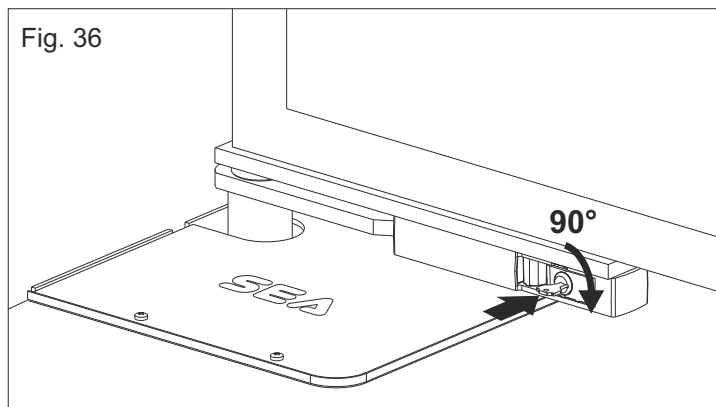
RELEASE PLUS

12.3. To release act as follows:

- Insert the enclosed key into the keyhole and turn it about 90° in clockwise direction (Fig. 36).
- Pull the key against the external of the release making come out the handle of the lock until it reaches the stop (Fig.37).
- Move the leaf and make return the handle of the release in its original position and extract the key.

12.4. To stop again act as follows:

- Move the leaf until the lock has coupled again.



TERMS OF SALES

EFFICACY OF THE FOLLOWING TERMS OF SALE: the following general terms of sale shall be applied to all orders sent to SEA S.p.A. All sales made by SEA to all costumers are made under the prescription of this terms of sales which are integral part of sale contract and cancel and substitute all apposed clauses or specific negotiations present in order document received from the buyer.

GENERAL NOTICE The systems must be assembled exclusively with SEA components, unless specific agreements apply. Non-compliance with the applicable safety standards (European Standards EM12453 – EM 12445) and with good installation practice releases SEA from any responsibilities. SEA shall not be held responsible for any failure to execute a correct and safe installation under the above mentioned standards.

1) PROPOSED ORDER The proposed order shall be accepted only prior SEA approval of it. By signing the proposed order, the Buyer shall be bound to enter a purchase agreement, according to the specifications stated in the proposed order.

On the other hand, failure to notify the Buyer of said approval must not be construed as automatic acceptance on the part of SEA.

2) PERIOD OF THE OFFER The offer proposed by SEA or by its branch sales department shall be valid for 30 solar days, unless otherwise notified.

3) PRICING The prices in the proposed order are quoted from the Price List which is valid on the date the order was issued. The discounts granted by the branch sales department of SEA shall apply only prior to acceptance on the part of SEA. The prices are for merchandise delivered ex-works from the SEA establishment in Teramo, not including VAT and special packaging. SEA reserves the right to change at any time this price list, providing timely notice to the sales network. The special sales conditions with extra discount on quantity basis (Qx, Qx1, Qx2, Qx3 formula) is reserved to official distributors under SEA management written agreement.

4) PAYMENTS The accepted forms of payment are each time notified or approved by SEA. The interest rate on delay in payment shall be 1.5% every month but anyway shall not be higher than the max. interest rate legally permitted.

5) DELIVERY Delivery shall take place, approximately and not peremptorily, within 30 working days from the date of receipt of the order, unless otherwise notified. Transport of the goods sold shall be at Buyer's cost and risk. SEA shall not bear the costs of delivery giving the goods to the carrier, as chosen either by SEA or by the Buyer. Any loss and/or damage of the goods during transport, are at Buyer's cost.

6) COMPLAINTS Any complaints and/or claims shall be sent to SEA within 8 solar days from receipt of the goods, proved by adequate supporting documents as to their truthfulness.

7) SUPPLY The concerning order will be accepted by SEA without any engagement and subordinately to the possibility to get it's supplies of raw material which is necessary for the production; Eventual completely or partially unsuccessful executions cannot be reason for complains or reservations for damage. SEA supply is strictly limited to the goods of its manufacturing, not including assembly, installation and testing. SEA, therefore, disclaims any responsibility for damage deriving, also to third parties, from non-compliance of safety standards and good practice during installation and use of the purchased products.

8) WARRANTY The standard warranty period is 12 months. This warranty time can be extended by means of expedition of the warranty coupon as follows:

SILVER: The mechanical components of the operators belonging to this line are guaranteed for 24 months from the date of manufacturing written on the operator.

GOLD: The mechanical components of the operators belonging to this line are guaranteed for 36 months from the date of manufacturing written on the operator.

PLATINUM: The mechanical components of the operators belonging to this line are guaranteed for 36 months from the date of manufacturing written on the operator. The base warranty (36 months) will be extended for further 24 months (up to a total of 60 months) when it is acquired the certificate of warranty which will be filled in and sent to SEA S.p.A. The electronic devices and the systems of command are guaranteed for 24 months from the date of manufacturing. In case of defective product, SEA undertakes to replace free of charge or to repair the goods provided that they are returned to SEA repair centre. The definition of warranty status is by unquestionable assessment of SEA. The replaced parts shall remain propriety of SEA. Binding upon the parties, the material held in warranty by the Buyer, must be sent back to SEA repair centre with fees prepaid, and shall be dispatched by SEA with carriage forward. The warranty shall not cover any required labour activities.

The recognized defects, whatever their nature, shall not produce any responsibility and/or damage claim on the part of the Buyer against SEA. The guarantee is in no case recognized if changes are made to the goods, or in the case of improper use, or in the case of tampering or improper assembly, or if the label affixed by the manufacturer has been removed including the SEA registered trademark No. 804888. Furthermore, the warranty shall not apply if SEA products are partly or completely coupled with non-original mechanical and/or electronic components, and in particular, without a specific relevant authorization, and if the Buyer is not making regular payments. The warranty shall not cover damage caused by transport, expendable material, faults due to non-conformity with performance specifications of the products shown in the price list. No indemnification is granted during repairing and/or replacing of the goods in warranty. SEA disclaims any responsibility for damage to objects and persons deriving from non-compliance with safety standards, installation instructions or use of sold goods. The repair of products under warranty and out of warranty is subject to compliance with the procedures notified by SEA.

9) RESERVED DOMAIN A clause of reserved domain applies to the sold goods; SEA shall decide autonomously whether to make use of it or not, whereby the Buyer purchases propriety of the goods only after full payment of the latter.

10) COMPETENT COURT OF LAW In case of disputes arising from the application of the agreement, the competent court of law is the tribunal of Teramo. SEA reserves the faculty to make technical changes to improve its own products, which are not in this price list at any moment and without notice. SEA declines any responsibility due to possible mistakes contained inside the present price list caused by printing and/or copying. The present price list cancels and substitutes the previous ones. The Buyer, according to the law No. 196/2003 (privacy code) consents to put his personal data, deriving from the present contract, in SEA archives and electronic files, and he also gives his consent to their treatment for commercial and administrative purposes.

Industrial ownership rights: once the Buyer has recognized that SEA has the exclusive legal ownership of the registered SEA brand num.804888 affixed on product labels and / or on manuals and / or on any other documentation, he will commit himself to use it in a way which does not reduce the value of these rights, he won't also remove, replace or modify brands or any other particularity from the products. Any kind of replication or use of SEA brand is forbidden as well as of any particularity on the products, unless preventive and expressed authorization by SEA.

In accomplishment with art. 1341 of the Italian Civil Law it will be approved expressly clauses under numbers:

4) PAYMENTS - 8) GUARANTEE - 10) COMPETENT COURT OF LAW

English GENERAL NOTICE FOR THE INSTALLER AND THE USER

1. Read carefully these **Instructions** before beginning to install the product. Store these instructions for future reference
2. Don't waste product packaging materials and /or circuits.
3. This product was designed and built strictly for the use indicated in this documentation. Any other use, not expressly indicated here, could compromise the good condition/operation of the product and/or be a source of danger. SEA S.p.A. declines all liability caused by improper use or different use in respect to the intended one.
4. The mechanical parts must be comply with Directives: Machine Regulation 2006/42/CE and following adjustments), Low Tension (2006/95/CE), electromgnetic Consistency (2004/108/CE) Installation must be done respecting Directives: EN12453 and En12445.
5. Do not install the equipment in an explosive atmosphere.
6. SEA S.p.A. is not responsible for failure to observe Good Techniques in the construction of the locking elements to motorize, or for any deformation that may occur during use.
7. Before attempting any job on the system, cut out electrical power and disconnect the batteries. Be sure that the earthing system is perfectly constructed, and connect it metal parts of the lock.
8. Use of the indicator-light is recommended for every system, as well as a warning sign well-fixed to the frame structure.
9. SEA S.p.A. declines all liability as concerns the automated system's security and efficiency, if components used, are not produced by SEAS.p.A..
10. For maintenance, strictly use original parts by SEA.
11. Do not modify in any way the components of the automated system.
12. The installer shall supply all information concerning system's manual functioning in case of emergency, and shall hand over to the user the warnings handbook supplied with the product.
13. Do not allow children or adults to stay near the product while it is operating. The application cannot be used by children, by people with reduced physical, mental or sensorial capacity, or by people without experience or necessary training. Keep remote controls or other pulse generators away from children, to prevent involuntary activation of the system.
14. Transit through the leaves is allowed only when the gate is fully open.
15. The User must not attempt to repair or to take direct action on the system and must solely contact qualified SEA personnel or SEA service centers. User can apply only the manual function of emergency.
16. The power cables maximum length between the central engine and motors should not be greater than 10 m. Use cables with 2,5 mm² section. Use double insulation cable (cable sheath) to the immediate vicinity of the terminals, in particular for the 230V cable. Keep an adequate distance (at least 2.5 mm in air), between the conductors in low voltage (230V) and the conductors in low voltage safety (SELV) or use an appropriate sheath that provides extra insulation having a thickness of 1 mm.



**Dichiarazione di conformità
Declaration of Conformity**

La SEA s.r.l. dichiara sotto la propria responsabilità e, se applicabile, del suo rappresentante autorizzato che il prodotto:

SEA srl declares under its proper responsibility and, if applicable, under the responsibility of its authorised representative that the product:

Descrizione / Description	Modello / Model	Marca / Trademark
New Compact 400 AC 140° (e tutti i suoi derivati)	12112105	SEA
<i>New Compact 400 AC 140° (and all its by-products)</i>	<i>12112105</i>	<i>SEA</i>
New Compact 400 SB 140° (e tutti i suoi derivati)	12112110	SEA
<i>New Compact 400 SB 140° (and all its by-products)</i>	<i>12112110</i>	<i>SEA</i>
New Compact 800 AC 140° (e tutti i suoi derivati)	12120167	SEA
<i>New Compact 800 AC 140° (and all its by-products)</i>	<i>12120167</i>	<i>SEA</i>
New Compact 800 SB 140° (e tutti i suoi derivati)	12120175	SEA
<i>New Compact 800 SB 140° (and all its by-products)</i>	<i>12120175</i>	<i>SEA</i>
Super Compact 1200 AC (e tutti i suoi derivati)	12130005	SEA
<i>Super Compact 1200 AC (and all its by-products)</i>	<i>12130005</i>	<i>SEA</i>
Super Compact 1200 SB (e tutti i suoi derivati)	12130505	SEA
<i>Super Compact 1200 SB (and all its by-products)</i>	<i>12130505</i>	<i>SEA</i>

è costruito per essere incorporato in una macchina o per essere assemblato con altri macchinari per costruire una macchina ai sensi della Direttiva 2006/42/CE:

is built to be integrated into a machine or to be assembled with other machinery to create a machine under the provisions of Directive 2006/42/CE:

è conforme ai requisiti essenziali di sicurezza relativi al prodotto entro il campo di applicabilità delle Direttive Comunitarie 2006/95/CE e 2004/108/CE.

it is conforming to the essential safety requirements related to the product within the field of applicability of the Community Directives 2006/95/CE and 2004/108/CE.

COSTRUTTORE o RAPPRESENTANTE AUTORIZZATO:

MANUFACTURER or AUTHORISED REPRESENTATIVE:

SEAS.p.A.

DIREZIONE E STABILIMENTO:

Zona industriale 64020 S.ATTO Teramo - (ITALY)

Tel. 0861 588341 r.a. Fax 0861 588344

[Http://www.seateam.com](http://www.seateam.com)

I test sul prodotto sono stati effettuati in configurazione standard e in riferimento alle norme specifiche per la sua classe d'utilizzo.

The products have been tested in standard configuration and with reference to the special norms concerning the classe of use.

(Luogo, data di emissione)

(Place, date of issue)

Teramo, 30/06/2017

L'Amministratore
The Administrator
Ennio Di Saverio



Automatic Gate Openers

Questo articolo è stato prodotto seguendo rigide procedure di lavorazione ed è stato testato singolarmente al fine di garantire i più alti livelli qualitativi e la vostra soddisfazione. Vi ringraziamo per aver scelto SEA.

This item has been produced following strict production procedures and has been singularly tested for the highest quality levels and for your complete satisfaction.
Thanks for choosing SEA.

Cet article a été produit suivant des procédures d'usinage strictes et il a singulièrement été testé afin de garantir les plus hauts niveaux de qualité pour votre satisfaction.
Nous vous remercions d'avoir choisi SEA.

Este artículo ha sido producido siguiendo rigidos procedimientos de elaboración y ha sido probando singolarmente a fin de garantizar los mas altos niveles de calidad y vuestra satisfaccion.
Le agradecemos por haber escogito SEA.



Automatic Gate Openers

International registered trademark n. 804888

SEA S.p.A.

Zona industriale 64020 S.ATTO Teramo - (ITALY)

Tel. +39 0861 588341 r.a. Fax +39 0861 588344

www.seateam.com

seacom@seateam.com