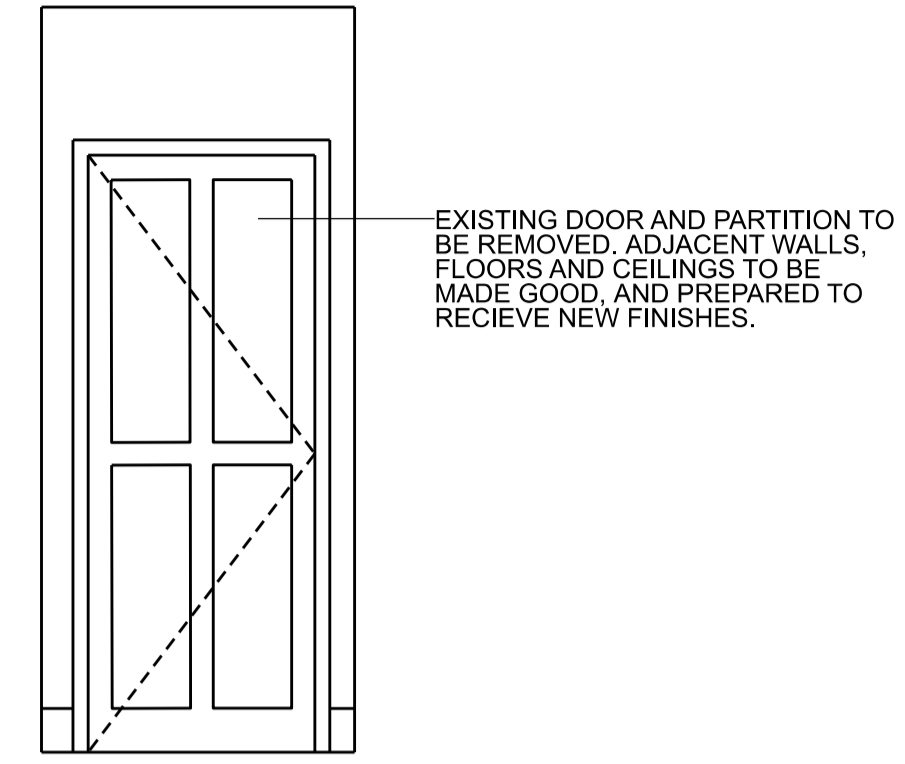
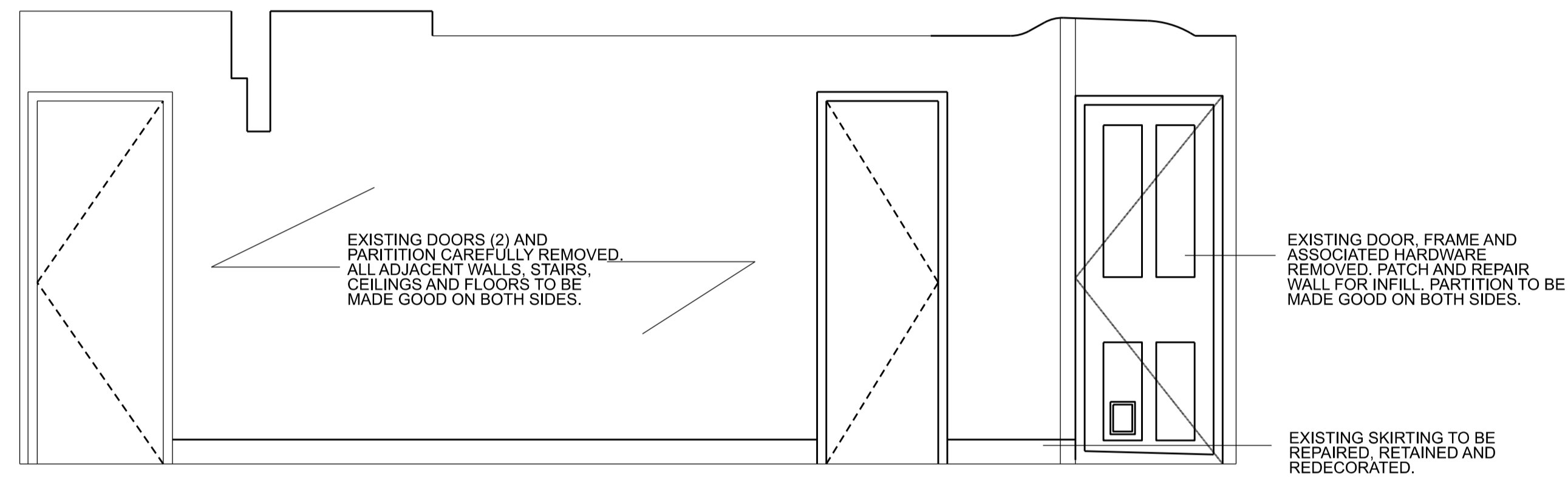


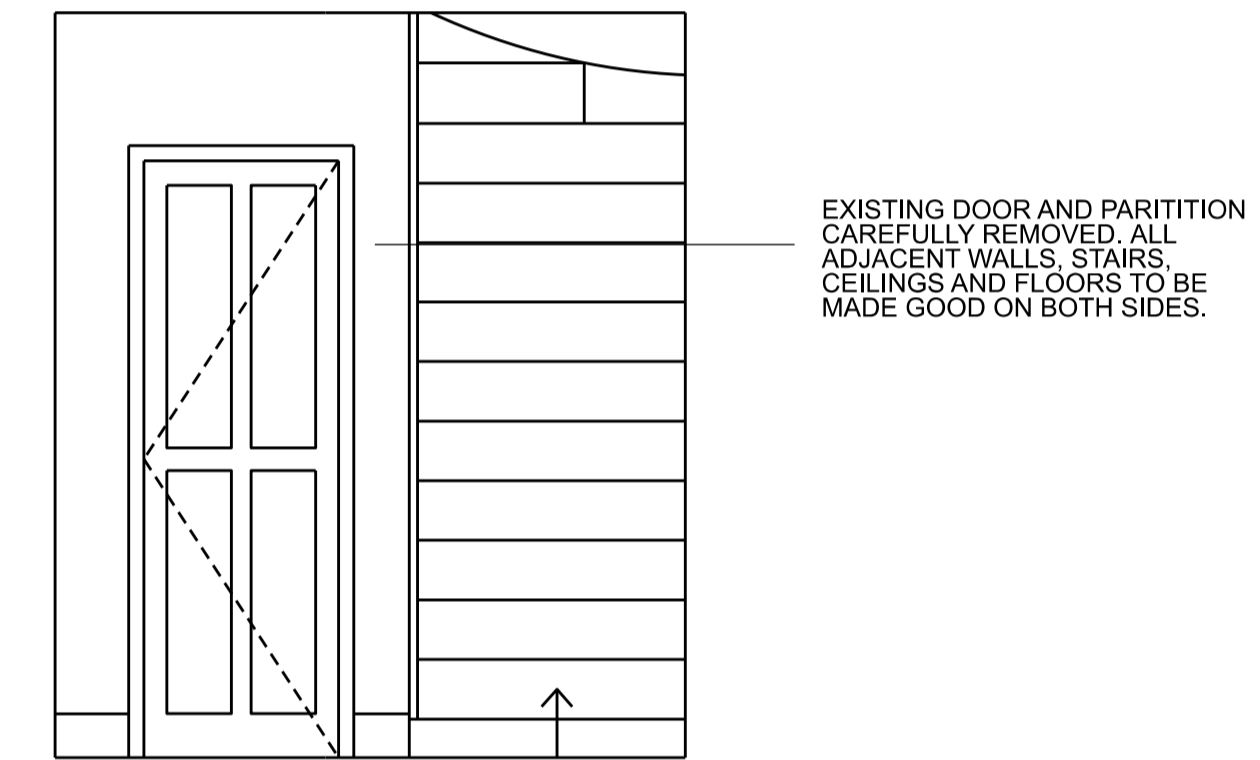
1 1:25@ A1
EXISTING NORTH ELEVATION



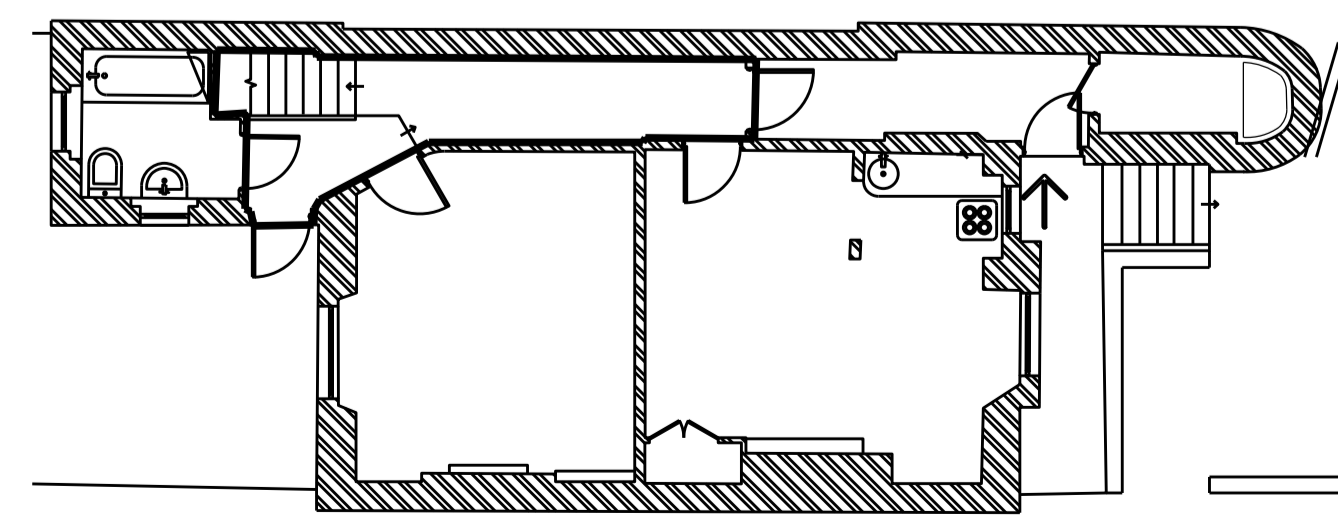
2 1:25@ A1
EXISTING EAST ELEVATION



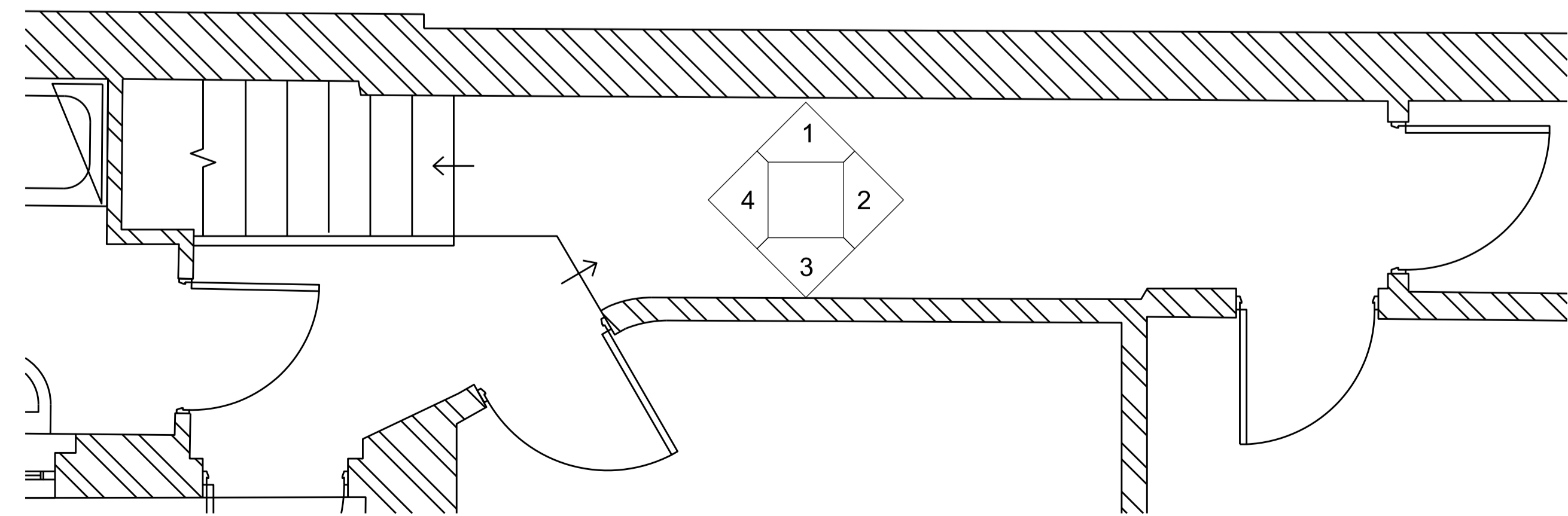
3 1:25@ A1
EXISTING SOUTH ELEVATION



4 1:25@ A1
EXISTING WEST ELEVATION



KEY 1:100 @ A1
PLAN



5 1:25@ A1
EXISTING ROOM PLAN

0 1 2 3
SCALE IN METRES @ 1:25

01	AUG 22	PLANNING APPLICATION ISSUE	SC
REV	DATE	NOTES	INT.
PROJECT			
91A BELSIZE LANE			
DRAWING TITLE			
EXISTING INTERNAL ELEVATION, LOWER GROUND CORRIDOR			
STATUS			
PLANNING			
DATE	DRAWN	CHECK	
AUGUST 2022	SC	JC	
PROJECT NUMBER	UNIT / BLOCK	CL / SFB CODE	TYPE & REVISION LETTER
0484_A_			0116 T00

