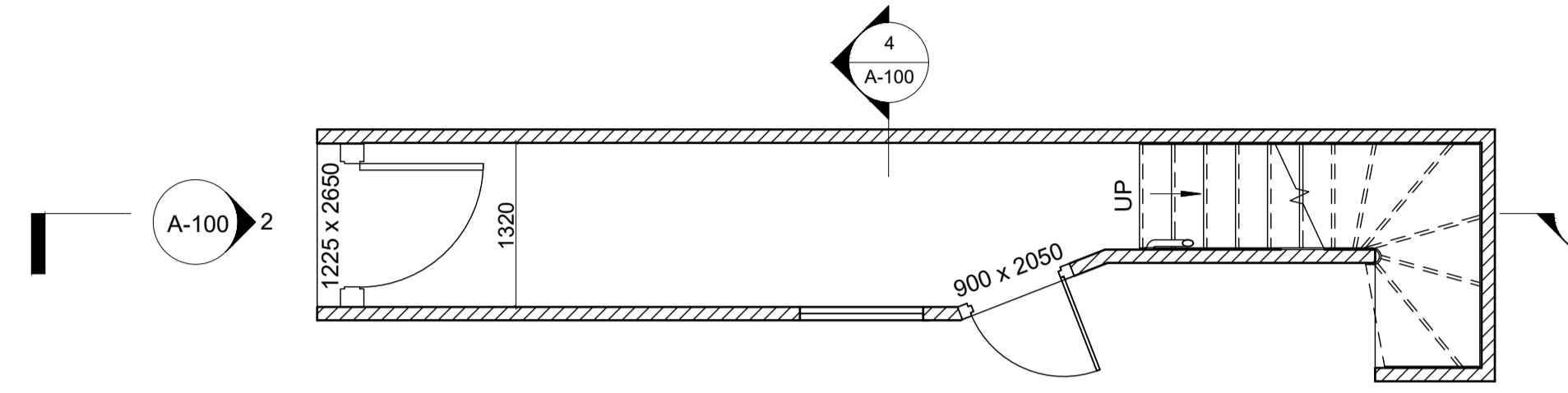
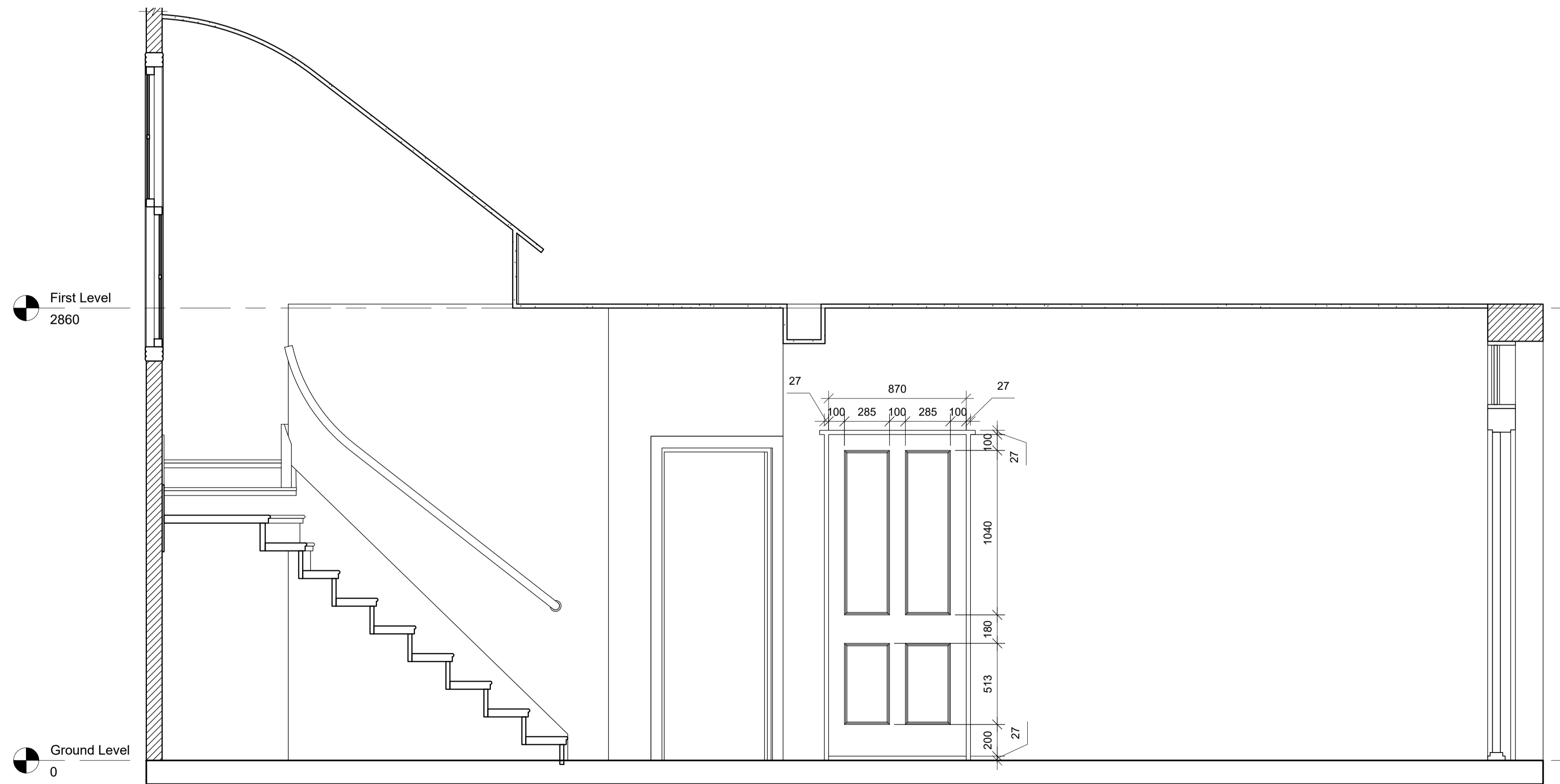


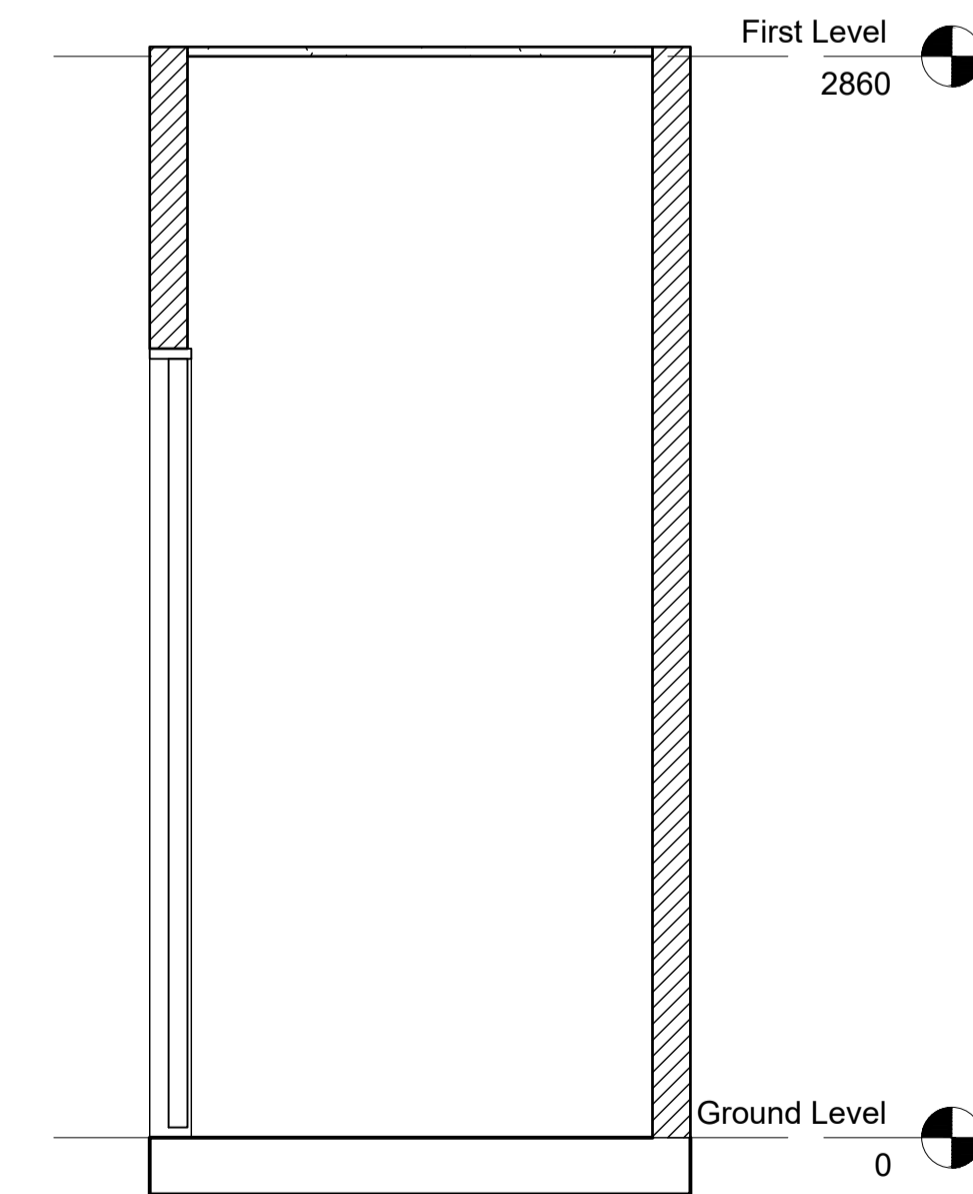
..\\..\\desktop\\capture.jpg



1 Ground Level
1 : 50



3 Section AA
1 : 20



4 Section BB
1 : 20

No.	Description	Date

Kier
Construction
26 Frederick
Street

Plan, Elevation
and Sections

Date 29.04.2022

Drawn by PIS

Checked by PIS

A-100

Scale As indicated