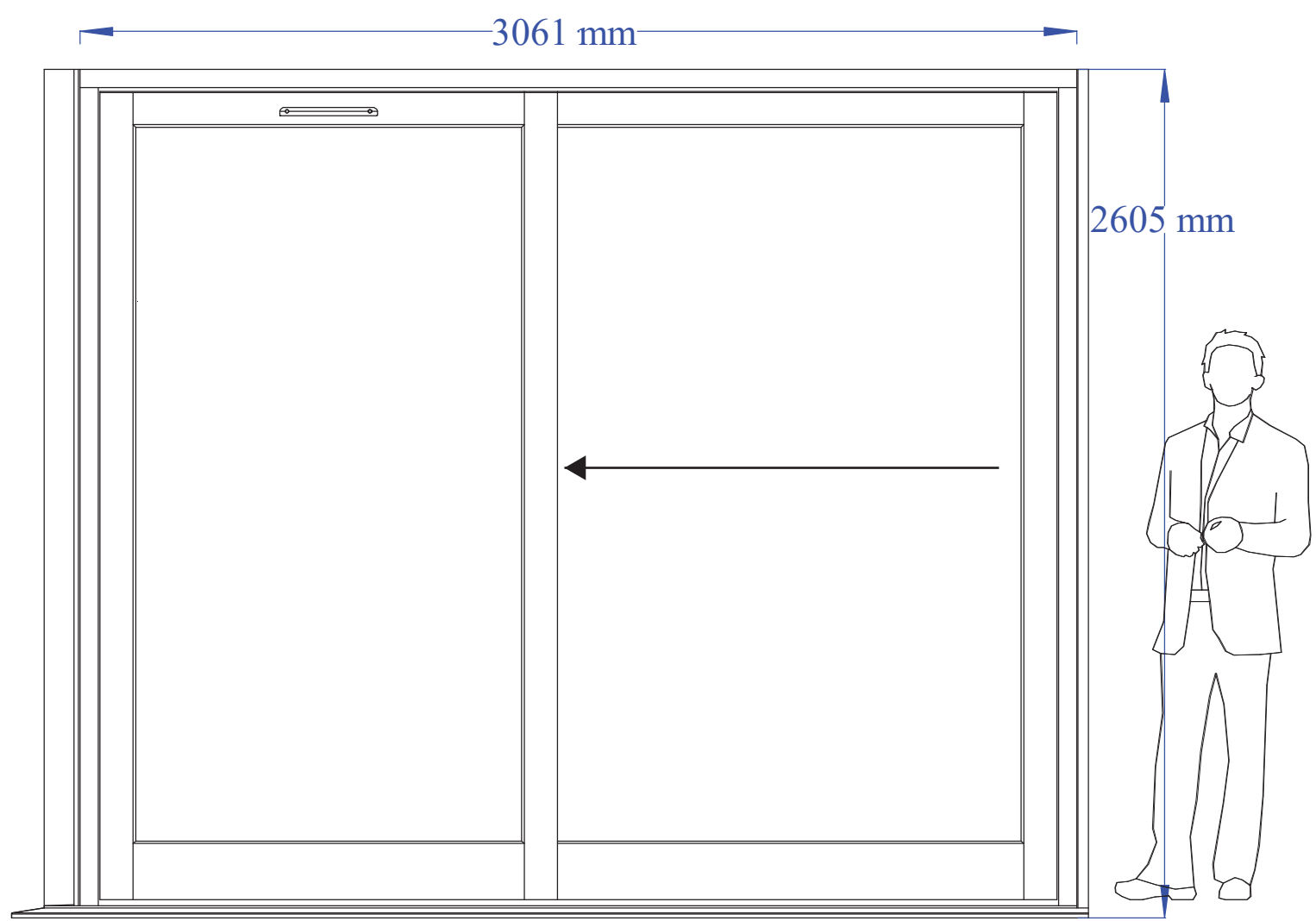
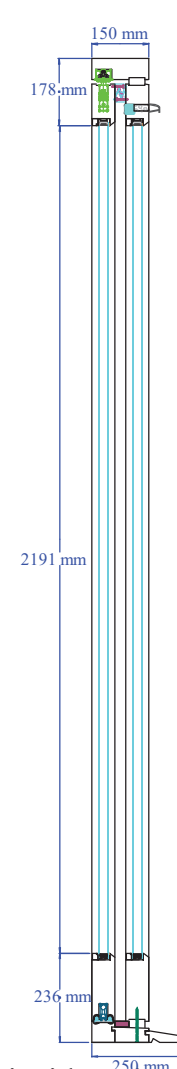
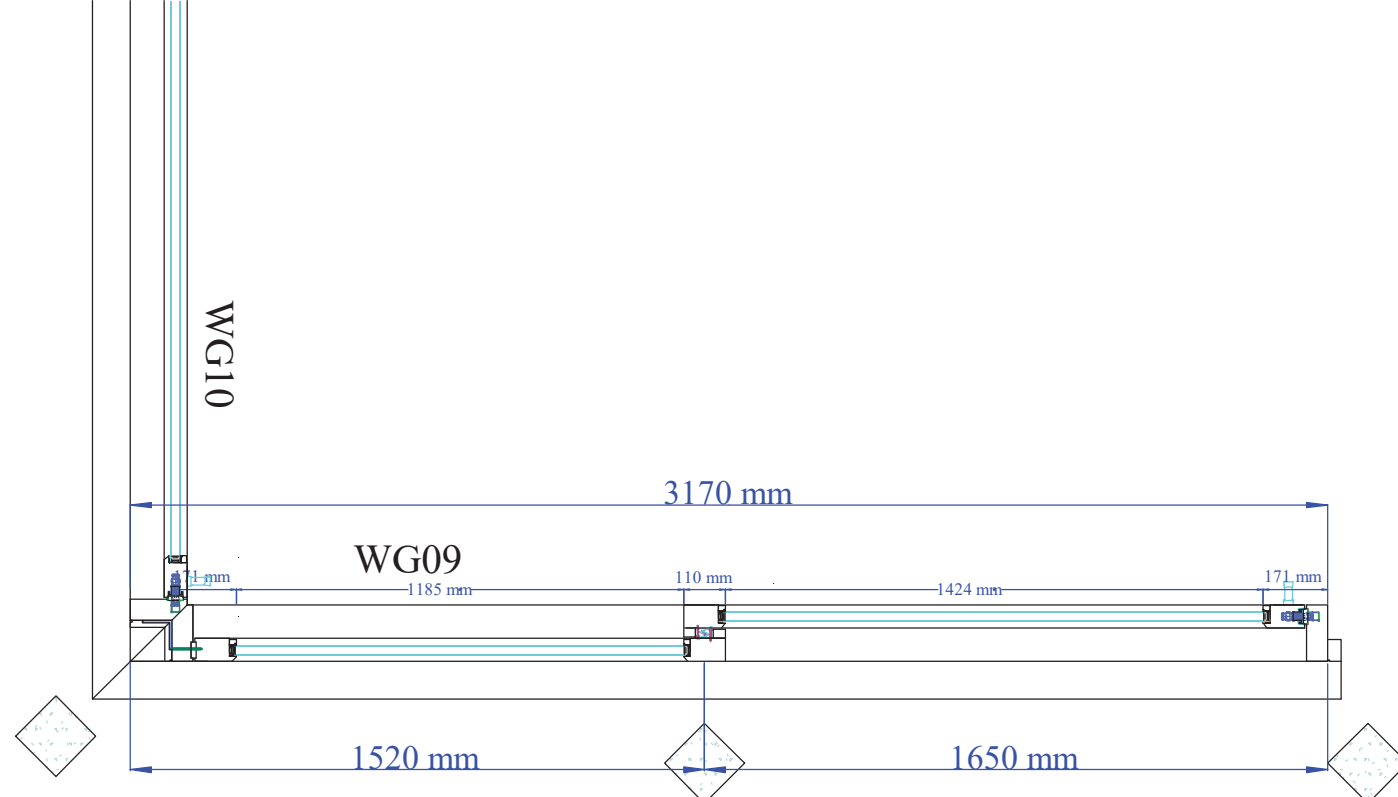





KEY:
WEST ELEVATION (EXTRACT)
NOT TO SCALE



WG09
External View

Timber - Accoya
 Finish - Medium Oak Stain
 Silicone & Glazing Tape Colour - Black
 Gasket Colour - Black
 Handles - Lift and Slide handles by others, handles to inside only.
 Lift and Slide Track - Silver anodised aluminium.
 Trickle vent - 1No EA 4300 - Ext Canopy in Brown
 Glass - 28.8mm double glazed unit, comprising of:
 6mm Low E Toughened.
 14mm Cavity Argon Filled, Black Warm Edge spacer.
 8.8mm Clear Acoustic Laminate

	GOWERCROFT LTD Unit 1, Birchwood Way, Cotes Park, Alfreton, Derbyshire, DE55 4QQ 01773 300510	PROJECT CUSTOMER Cape Construction.	PAPER SIZE	A 3
	Drawn By: Andrzej Pilch	Job No: S11716	SCALE	1 : 20
		PRODUCT TYPE Lift & Slide Doors	REVISION	D
		Date : 21/09/2022		