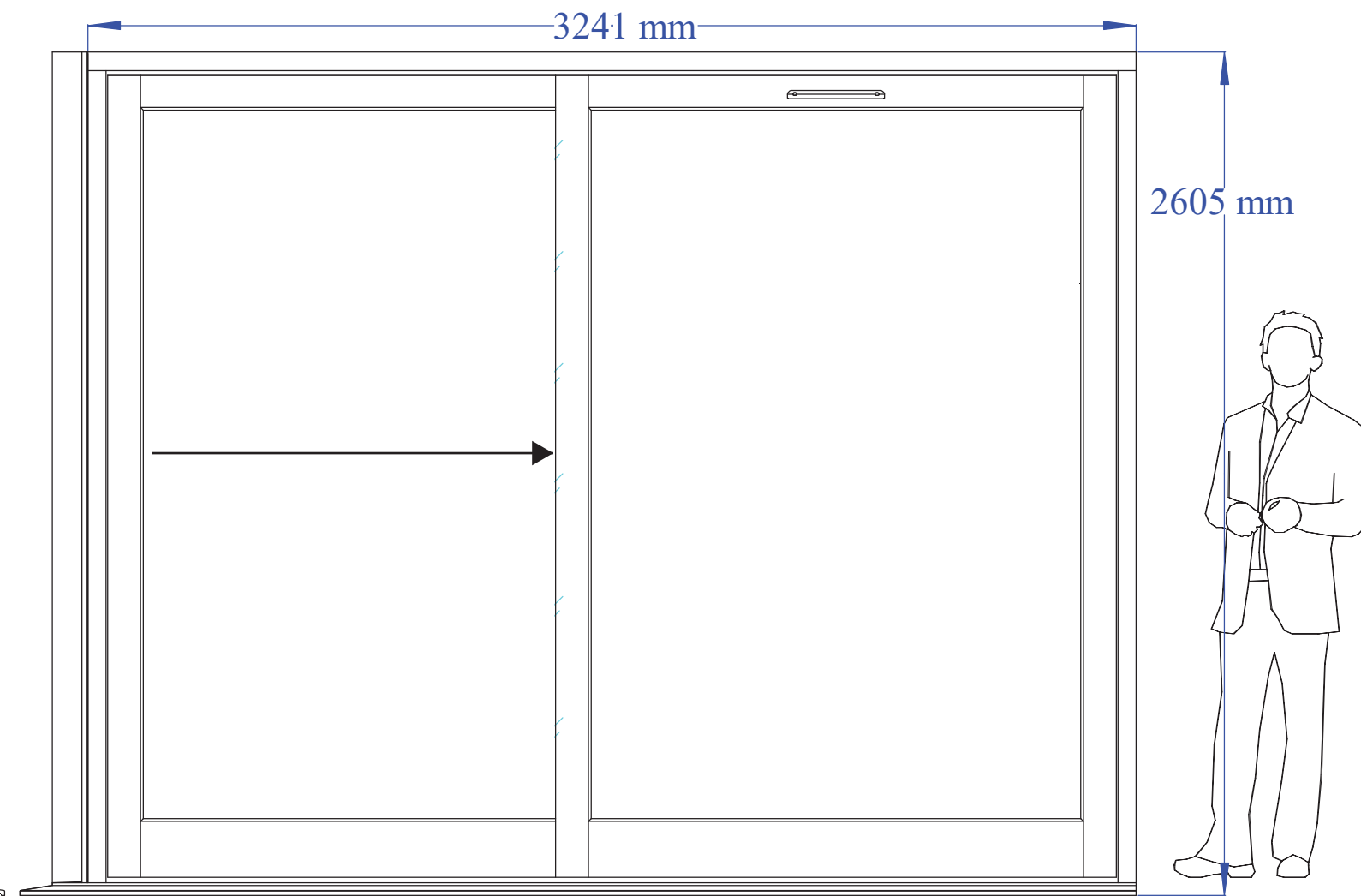
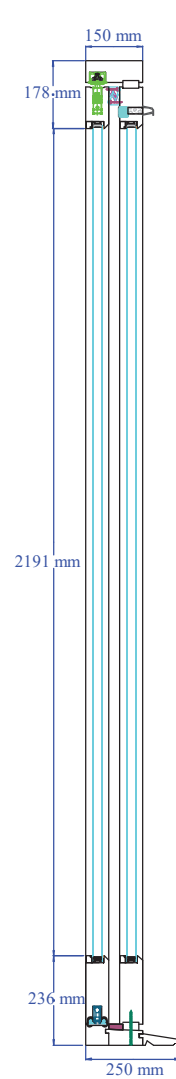
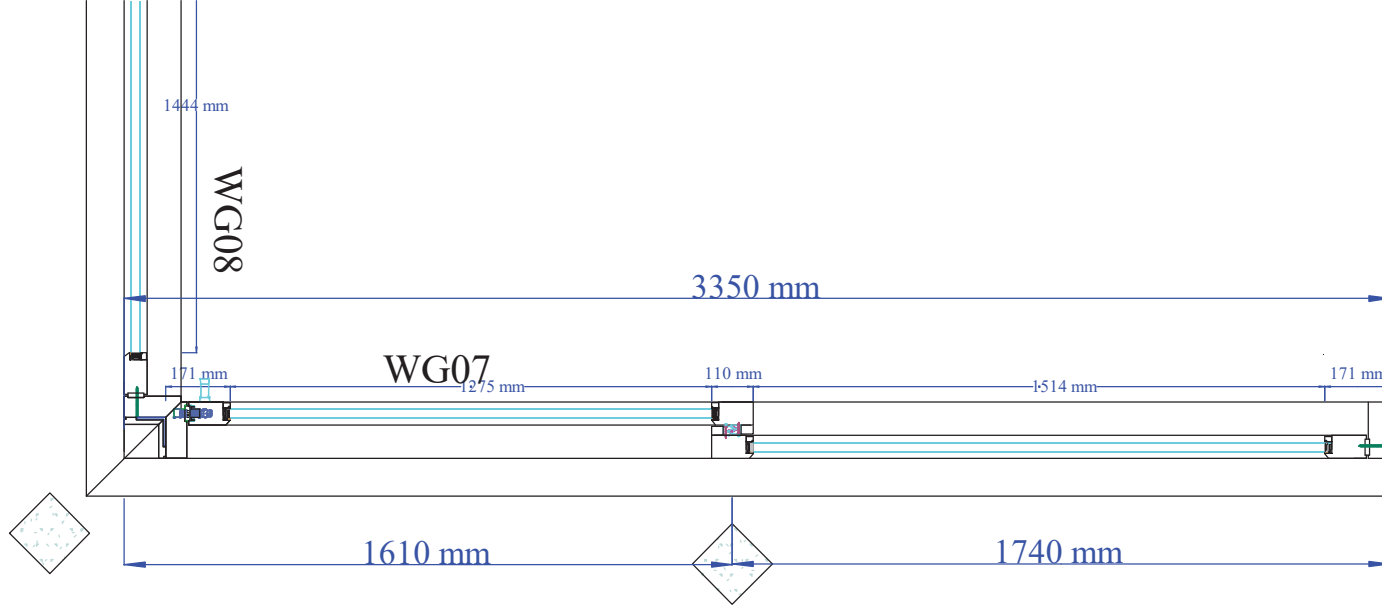




KEY:
SOUTH ELEVATION (EXTRACT)
NOT TO SCALE



WG07
External View

Timber - Accoya
 Finish - Medium Oak Stain
 Silicone & Glazing Tape Colour - Black
 Gasket Colour - Black
 Handles - Lift and Slide handles by others, handles to inside only.
 Lift and Slide Track - Silver anodised aluminium.
 Trickle vent - 1No EA 4300 - Ext Canopy in Brown
 Glass - 28.8mm double glazed unit, comprising of:
 6mm Low E Toughened.
 14mm Cavity Argon Filled, Black Warm Edge spacer.
 8.8mm Clear Acoustic Laminate

	GOWERCROFT LTD Unit 1, Birchwood Way, Cotes Park, Alfreton, Derbyshire, DE55 4QQ 01773 300510	PROJECT CUSTOMER	PAPER SIZE	A 3
		Cape Construction.	SCALE	1 : 20
		Job No: S11716	REVISION	D
		PRODUCT TYPE		
Drawn By: Andrzej Pilch	Date: 21/09/2022	Lift & Slide Doors		