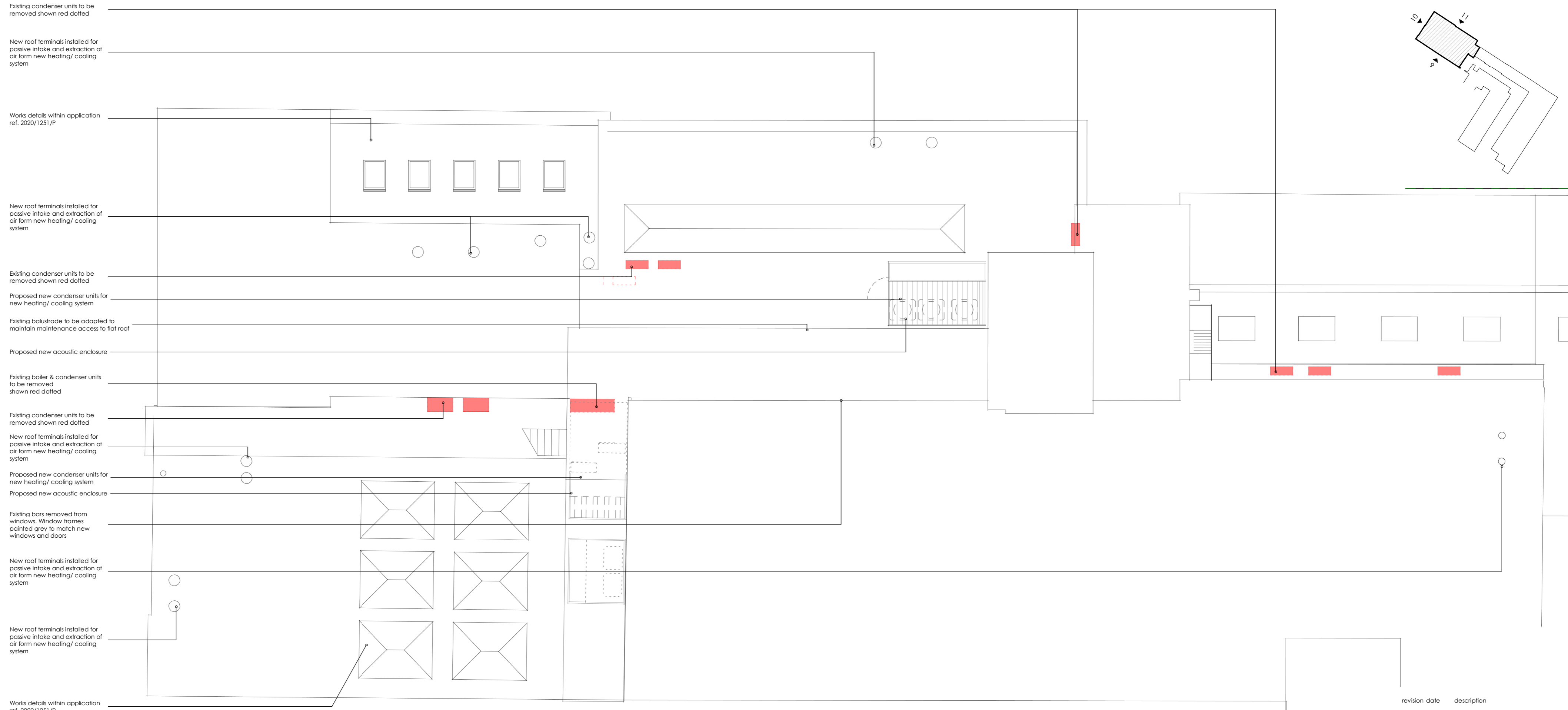
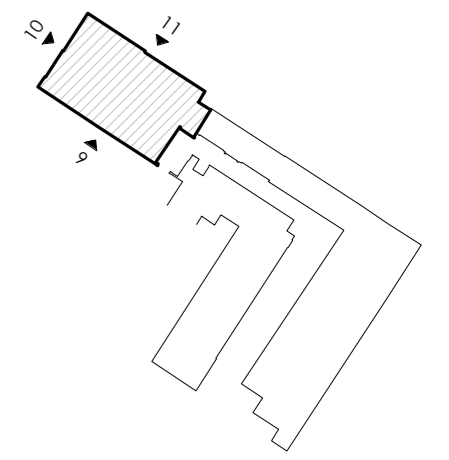




VISUAL SCALE (m) 1:100  
 NOTE:  
 ALL DIMENSIONS MUST BE CHECKED ON SITE AND NOT SCALED FROM  
 THIS DRAWING.  
 FOR USE IN PRECISE NAMED LOCATION ONLY. COPYRIGHT RESERVED.

**SITE KEY PLAN**  
 UTOPIA VILLAGE, LONDON



| revision                | date     | description                           |
|-------------------------|----------|---------------------------------------|
| status                  |          | <b>PLANNING</b>                       |
| project title           |          | UTOPIA VILLAGE, PRIMROSE HILL, LONDON |
| drawing title           |          | PROPOSED ROOF PLAN                    |
| first issued            | 05/10/22 | drawn JC scale @ A2 1:100             |
| job/drawing no/revision |          | 19094 - PP4033 -                      |

The Studio, 70 Church Road, Wheatley, Oxford, OX33 1LZ  
 01865 873936 | info@andersonorr.com | www.andersonorr.com

**Anderson Orr**  
 Architects