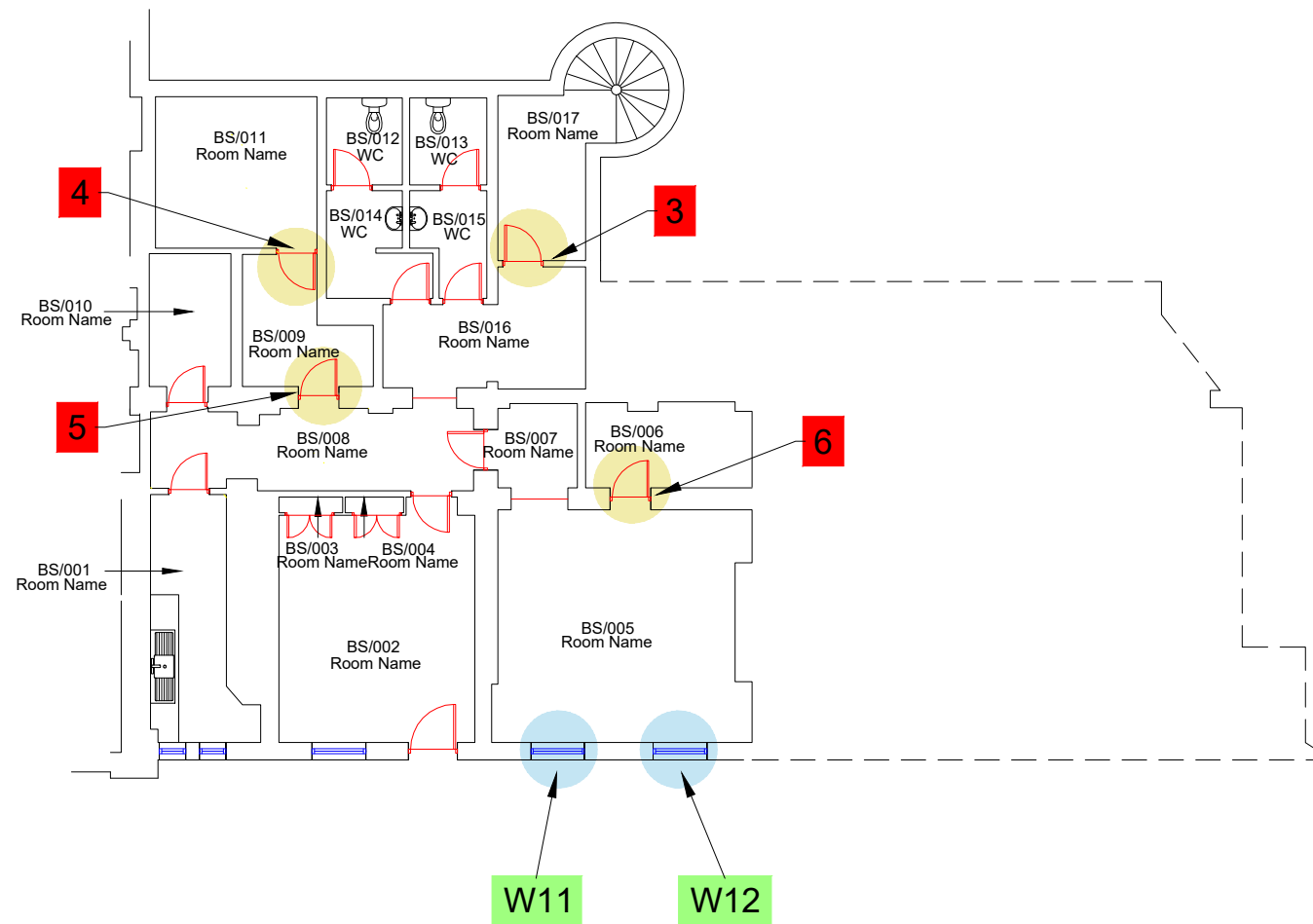


Legend

- New Fire Door
- Repair Fire Door
- Fire Shutter to window internally
- B1 / 009 Door References
- W12 Window References



Rev.	Description	By	Date
------	-------------	----	------

Client



Property Services

Project

Bloomsbury Health Centre
8 Hunter Street, London. WC1N 1BN.

Drawing Title

Proposed Floor Plans

BASEMENT

Drawing Status

PLANNING

Drawn	Checked	Date	Rev.
pmb	JO	08 / 2022	

Drawing No. **NTBS3725 / 08**

Scale **1:150** Original Sheet Size A3

